

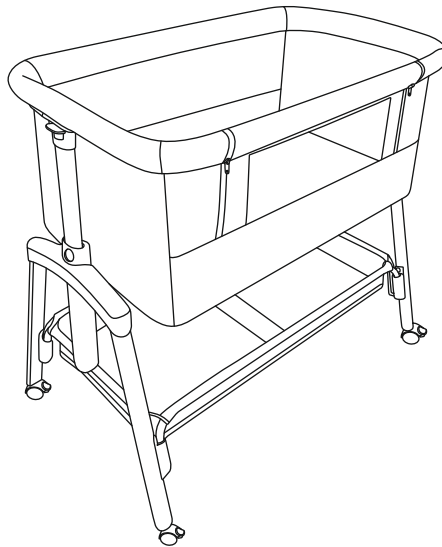
Sweet dreams. Sweet play



crib - bedside sleeper

MILLIE

age range: 0 - 6 months, max. 9 kg



MANUAL INSTRUCTION

designed in EU

V1.0

www.lorelli.eu



find us on

CONTENT

EN	Manual Instruction.....	7
ES	Instrucciones de uso.....	11
IT	Istruzione per l'uso.....	15
FR	Mode d'emploi.....	19
BG	Инструкция за употреба.....	23
GR	ΟΔΗΓΙΕΣ ΧΡΗΣΗΣ ΚΑΡΕΚΛΑΣ.....	27
AR	دليل التعليمات.....	31
DE	Bedienungsanleitung.....	35
CZ	Návod k použití.....	39
HU	Használati utasítás.....	43
RU	Инструкция по эксплуатации.....	47
SRB HR ME BIH	Uputstvo za upotrebu.....	51
RO	Instrucțiuni de utilizare.....	55
NL	Gebruikshandleiding.....	59
AL	Insruksion për përdorim.....	63
TR	Kullanım talimatı.....	67
PL	Instrukcja użytkownika.....	72
MK	Упатствата за употреба.....	76



EN-Scan the QR code to get more product information and manual instruction in more languages. Download QR Scanner App onto your device.

ES- Escanee el código QR para obtener más información sobre el producto y su manual de uso en varios idiomas. Descargue en su dispositivo la aplicación de Lector de códigos QR.

IT-Scansiona il codice QR per ottenere maggiori informazioni sul prodotto e istruzioni manuali in più lingue. Scarica l'app QR Scanner sul tuo dispositivo.

FR-Scannez le code QR pour obtenir plus d'informations sur le produit et le manuel d'utilisation (disponible en plusieurs langues). Téléchargez l'application QR Scanner sur votre appareil.

BG-Сканирайте QR кода, за да получите повече информация за продукта и инструкция за употреба на повече езици. Изтеглете приложението QR скенер на устройството си.

GR-Σάρωση του κώδικα QR για περισσότερες πληροφορίες σχετικά με το προϊόν και οδηγίες χρήσης σε περισσότερες γλώσσες. Κατεβάστε την εφαρμογή QR Scanner στη συσκευή σας.

ARB- على جهازك. "QR Scanner" للحصول على المزيد من معلومات المنتج وتعليمات الاستخدام بلغات متعددة. قم بتنزيل تطبيق "QR" قم بمسح رمز الاستجابة السريعة ضوئياً

DE-Um weitere Produktinformationen sowie die Bedienungsanleitung in weiteren Sprachen zu erhalten, bitten wir Sie den QR-Code zu scannen. Bitte downloaden Sie die QR Scanner-App auf Ihr Handy oder Tablet.

CZ-Naskenujte QR kód, abyste získali další informace o výrobku a návod k použití ve více jazycích. Stáhněte si přílohu QR skener na své zařízení.

HU-A QR-kód beszkennelésével bővebb információkhoz és összeszerelési útmutatóhoz juthat további nyelveken. Amennyiben szükséges, töltsön le a QR-kód olvasó alkalmazást a készülékére.

RU-Отсканируйте QR-код, чтобы получить больше информации о продукте и инструкции по эксплуатации на других языках. Загрузите приложение QR Scanner на свое устройство.

SRB/HR/ME/BIH

Skenirajte QR kod kako bi ste dobili više informacija o proizvodu i uputstva za upotrebu na više jezika. Preuzmite aplikaciju QR Scanner na svoj uređaj.

RO-Skanati codul QR pentru a obtine mai multe informatii despre produs si manualul de instructiuni in mai multe limbi. Descarcati aplicatia QR Scanner pe dispozitivul dvs.

NL-Scan de QR code voor meer productinformatie en de handleiding in meerdere talen. Download de QR scanner app op je apparaat om te scannen.

AL-Skanoni kodin QR për të marrë më shumë informacion rreth produktit dhe për të hapur manualin në më shumë gjuhë. Shkarkoni aplikacionin QR Scanner në celularin tuaj.

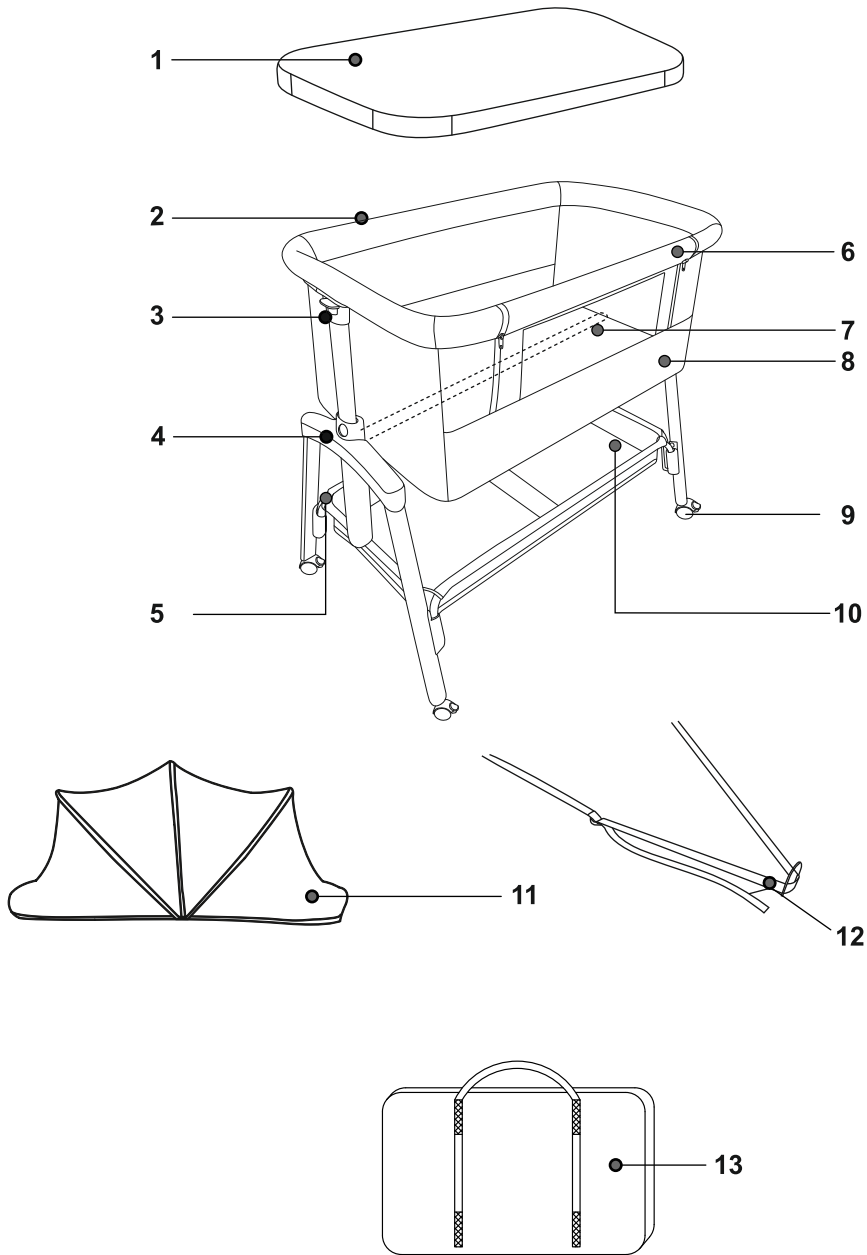
TR-Detaylı ürün bilgisi ve çöklü dilde kullanma klavuzu için QR kodu okutunuz. QR barkod okuyucuyu cihazınıza indiriniz.

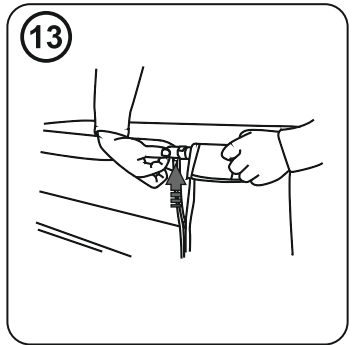
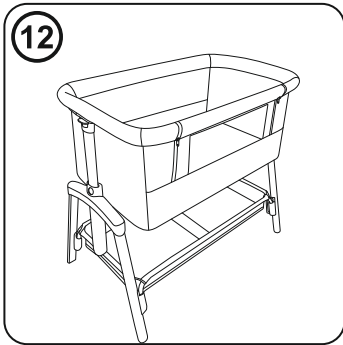
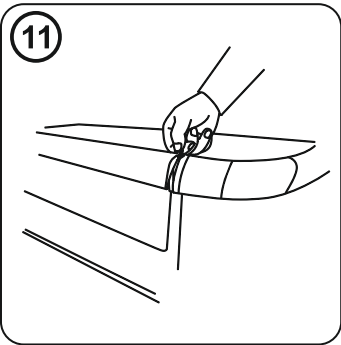
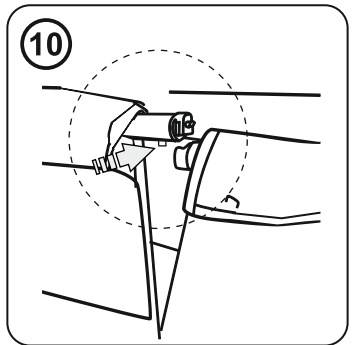
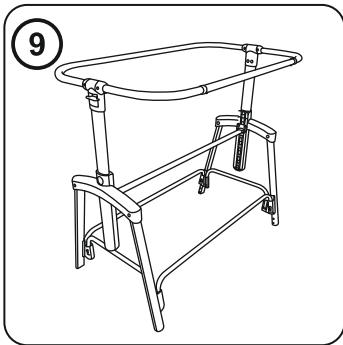
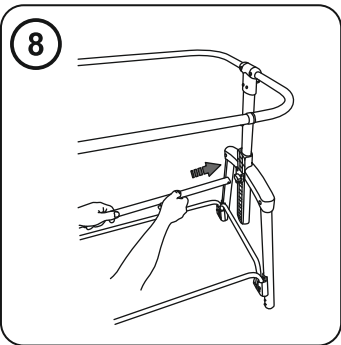
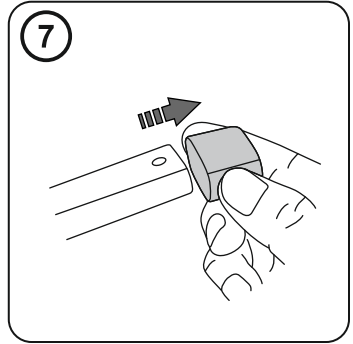
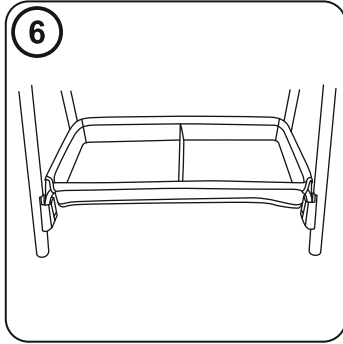
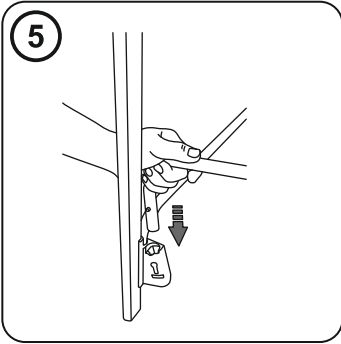
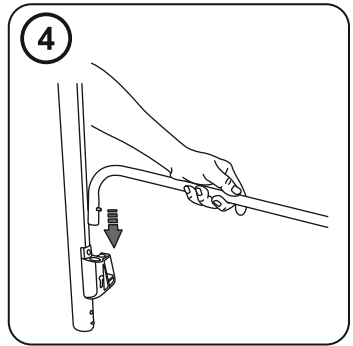
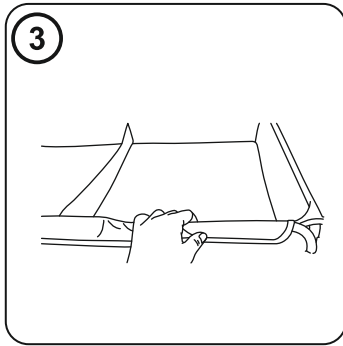
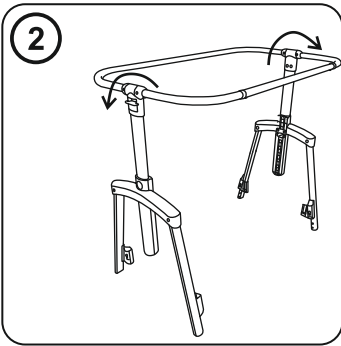
PL-Zeskanuj kod QR, aby otrzymać więcej informacji, oraz instrukcję użytkowania w większej ilości języków. Pobierz aplikację skanera kodów QR na twoje urządzenie.

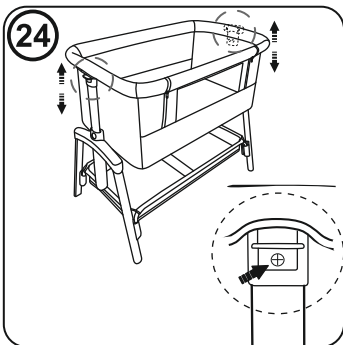
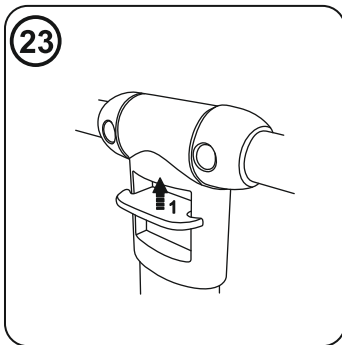
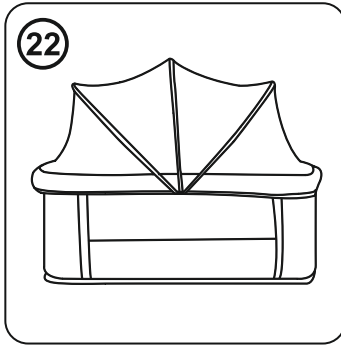
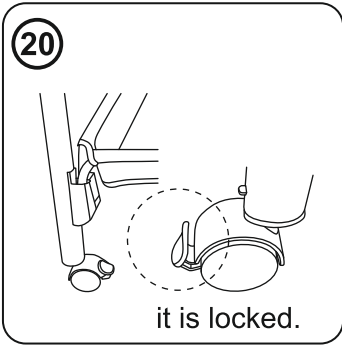
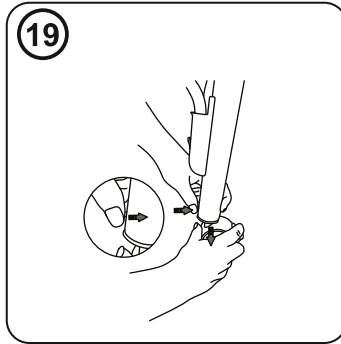
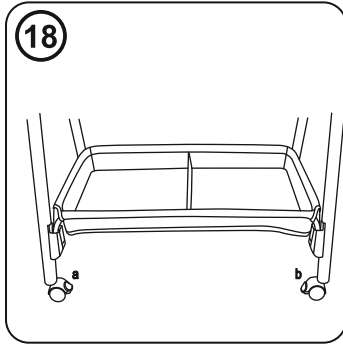
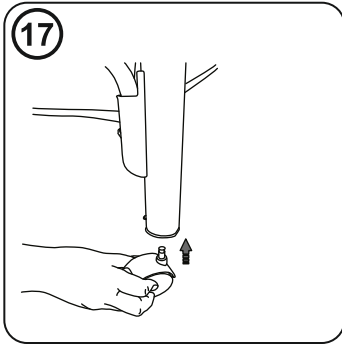
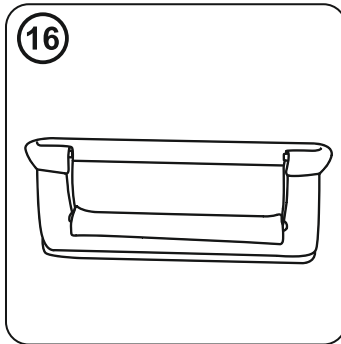
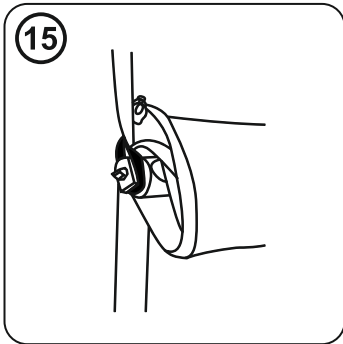
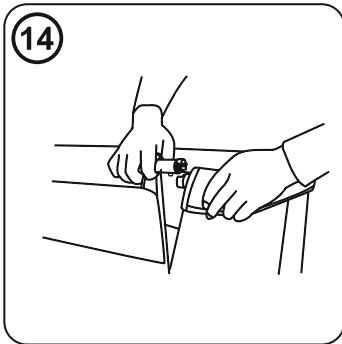
MK-Скенирај го QR кодот за да добиеш повеќе информации за производот и упатство за користење, на повеќе јазици. Симнете ја апликацијата QR Scanner App на вашиот уред.

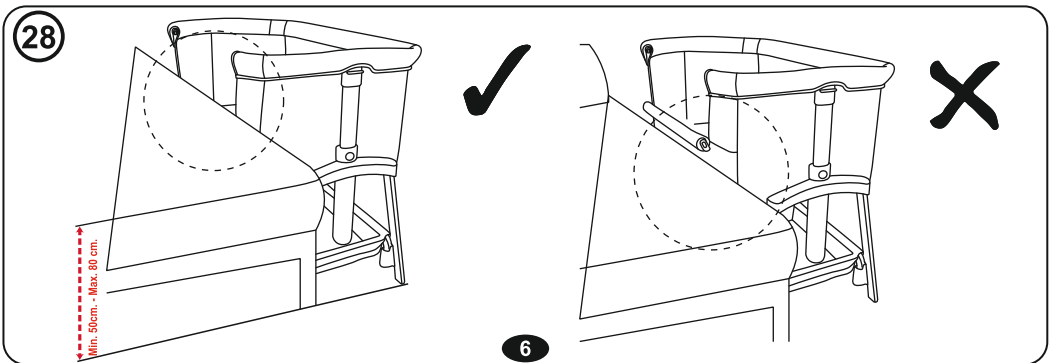
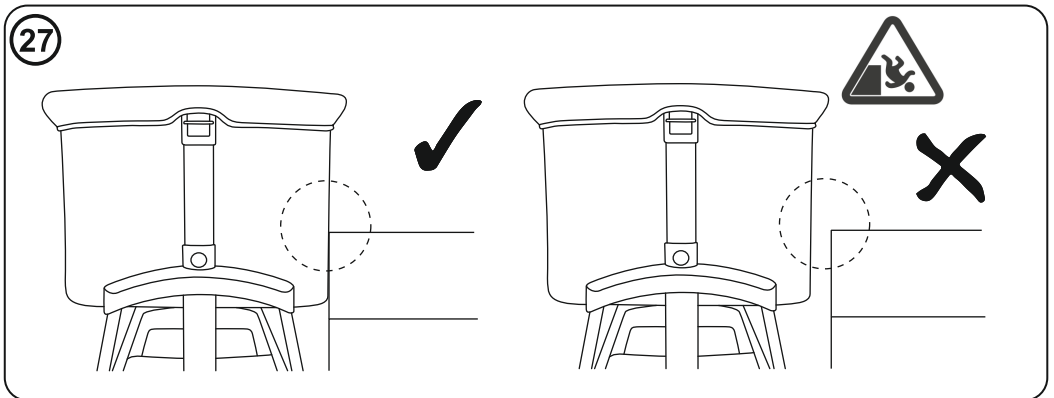
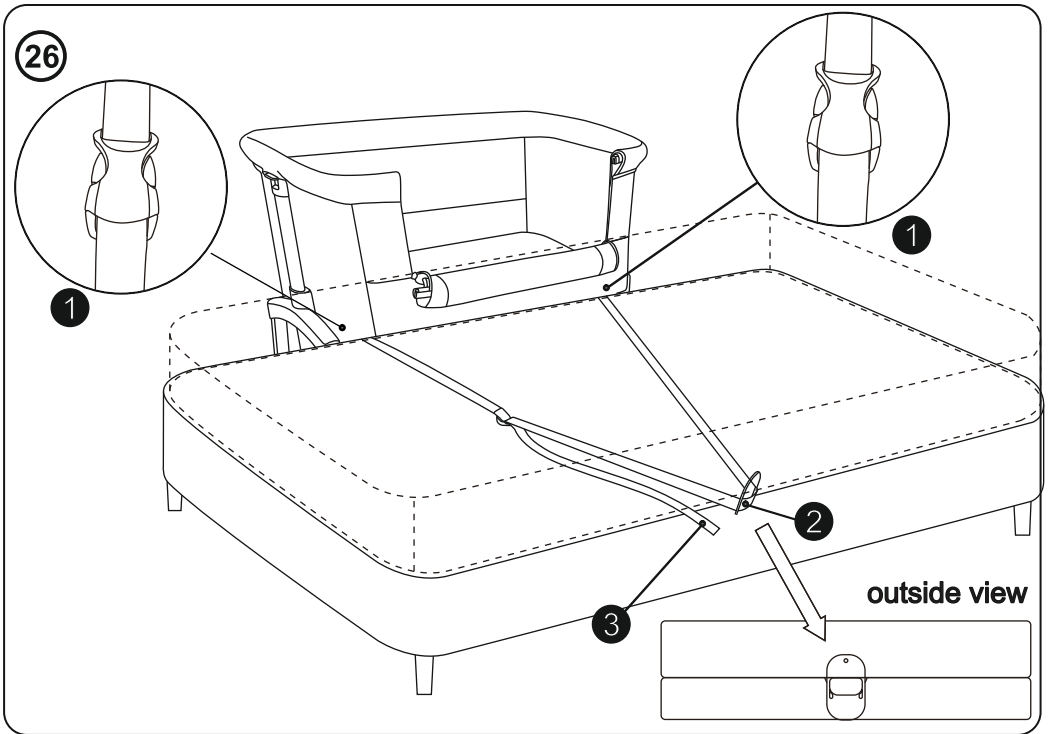
FEATURES

Picture 1





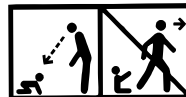




IMPORTANT! READ CAREFULLY AND KEEP FOR FUTURE REFERENCE!

EN

WARNING



- 1. WARNING!** Never leave the child unattended!
- 2. WARNING!** Do not use this product without reading the instructions for use first!
- 3. WARNING!** Stop using the product as soon as the child can sit or kneel or pull itself up!
- 4. WARNING!** Placing additional items in the product may cause suffocation!
- 5. WARNING!** Do not place any extra objects (toys, pillows, etc.) in the crib!
- 6. WARNING!** Do not place the product close to another product, which could present a danger of suffocation or strangulation, e.g. strings, blind / curtain cords, etc.
- 7. WARNING!** Do not use more than one mattress in the product!
- 8. WARNING!** Be aware of risk of open fire and other sources of strong heat, such as electric bar fires, gas fires, etc. in the near vicinity of the cot (crib and suspended bed).

SAFETY REQUIREMENTS

- 1. WARNING!** Before using the product for the first time, remove all advertising materials from it as well as the materials used to attach them to the product! Any plastic cover should be removed, destroyed or kept away from children to avoid suffocation.
- The product must be placed on a horizontal floor.
- Do not allow young children to play unsupervised in the vicinity of the crib!
- The crib must be locked in the fixed position when a child is left unattended!
- All assembly fittings should always be tightened properly and that care should be taken that no screws are loose, because a child could trap parts of the body or clothing (e.g., strings, necklaces, ribbons for babies' dummies, etc.) which pose a risk of strangulation. Perform routine checks to make sure there are no loose, damaged or missing parts.
- The maximum thickness of the mattress to be used is 3 cm. The information for the maximum thickness of the mattress to use is shown on the marking of the product and the mattress itself.
- The maximum internal size of the cot the mattress is intended for is 84/51 cm.
- Do not use the crib if the height of the adult bed is less than 50cm or more than 80cm above the floor (Picture 28).
- Do not use mattress for the crib different than this, provided with the product and approved by the manufacturer.
- If you use a different mattress from the sold with the crib, please ensure that it is with proper thickness and it is suitable with the crib. The thickness of the mattress shall be such that the internal vertical height (surface of the top of the mattress to the upper edge of the bed sides) is at least 200 mm in the highest position of the bed base.
- If you use a different mattress from the sold with the crib, please ensure that the length and width shall be such that the maximum gap between the mattress and the sides and ends does not exceed 30mm.
- It is possible to slightly tilt the base of the crib by adjusting the two feet at different heights (Picture 25). The inclination of the crib is allowed with a maximum gap of 2 positions between one foot and the other. **WARNING!** The child's head should always be positioned on the highest side.
- 13. WARNING!** DO NOT use the crib if any parts are missing, damaged or broken. Contact Didis for replacement parts and instructional literature if needed. DO NOT substitute parts.

14. The product is ready for use only when the locking mechanisms are engaged. Make sure they are securely fixed before use.
15. When the child is left unattended in the crib, always make sure that the side is raised and the zippers are closed completely.
16. Do not use the body of the crib without its frame.
17. To be assembled, fold and unfold only by an adult!
18. Do not use the product for more than one child at a time.
19. Keep the product out of the reach of children when not in use!
20. Ensure the feet of the crib are fully lengthened when using as a standalone crib.
21. **WARNING!** DO NOT use the bedside sleeper if any parts are missing, damaged or broken. Contact Didis for replacement parts and instructional literature if needed. DO NOT substitute parts
22. Use of the product is only permitted with beds and/or mattresses with straight sides! Use of the product with round beds and/or mattresses, water beds or inflatable mattress, etc. is not permitted!
23. When the product is used as a bedside sleeper, it should always be fitted to the long side of access to the bed. DO NOT fix the product to the head or bottom of the bed.
24. **IMPORTANT FOR YOUR CHILD'S SAFETY!** The "Co-sleeping function" (fixing to the bed) is applicable ONLY with the types of bed that meet all the conditions described above and in this paragraph! In particular the side support of the crib should always be put close to parent's mattress and the mattress should always aligned with the height of the side support for restraint of the crib (Picture 27). Furthermore, the crib must be firmly fixed to the structure of the parent's bed or to the mattress support (net or slats).
25. Bedside sleepers shall never be used in an inclined position. In co-sleeping function the two legs of the crib must always be set to same height position!
26. **WARNING!** When using the product in "Co-sleeping function", to prevent a suffocation hazard from entrapment, the bedside sleeper should be properly secured to the adult bed using the attachment system.
27. Attachment system is provided with the crib. Do not use other attachment system.
28. There shall never be a gap between the lower side of the bedside sleeper and the mattress of the adult bed.
29. Always check the fixture system before use!
30. Check the tightness of the attachment system before each use by pulling the bedside sleeper in a direction away from adult bed.
31. If there is any gap between the bedside sleeper and the adult bed, DO NOT use the product.
32. Gaps should not be filled with pillows, blankets or other items. They may cause risk of suffocation!
33. During use, make sure that the parent bed sheets, blankets etc. do not enter and cover the interior of the crib.
34. The product should only be used after it is firmly attached to the adult's bed or when the movable side is locked in its uppermost position to avoid the risk of the child falling.
35. **DANGER! The bedside sleeper, when not attached to the adult's bed, shall have all its sides in place and/or highest position. Always completely raise the drop side when not attached to adult's bed.**
36. **WARNING!** To avoid hazards from the child's neck being caught on the top rail on the side that is next to the adult bed, the top rail must not be higher than the adult bed mattress (Picture 28).
37. **WARNING!** To avoid the risk of your child being strangled the attachment system to the adult's bed shall always be kept away from and out of the crib.
38. The mattress of the adult's bed shall be aligned to or over the height of the drop side in the lowest position!
39. The mattress on the parent's bed should always be higher than the side of the crib. If not, use the adjusting system to make sure the height is correct on both sides.
40. Before each use, always check that there is no space between the mattress on the parent's bed and the wall of the crib. Pull and tighten the attachment system until the permitted state is restored.
41. Use the crib with the wall lowered only in co-sleeping mode!
42. **WARNING!** Keep away from fire!
43. Specifications, colors and contents may vary from illustration!

EN 1130:2019 + AC:2020; EN 16890:2017+A1:2021

MAINTENANCE AND CARE

ATTENTION! If you use the crib outdoors, please clean all parts thoroughly after each use. In some climates the parts may be affected by mould and mildew. To help prevent this occurring, do not fold or store the product if it is damp or wet. Always store the product in a well ventilated area. Always check parts regularly for tightness of screws, nuts and other fasteners, tighten if required.

Cleaning. To clean use soapy water or soft cleaning detergent. Handwash the bag with soapy water. Do not iron. Do not bleach. For washing of the fabrics, carefully comply with the instructions indicated on the label. For cleaning do not use solvents, abrasive products or aggressive products.

ATTENTION! Do not put bulk objects in the crib that can help the baby to jump out from the crib. Do not place the crib near heating devices because it will damage the plastic and fabrics.

ATTENTION! Use the crib regarding to these instructions!

ATTENTION! For cleaning of the mattress, carefully comply with the instructions indicated in the label.

ATTENTION! This mattress may not soak up vomit.

ATTENTION! The use of the mattress protector is essential.

Used materials: Plastic, textile , metal, MDF

PARTS

Picture 1

1. Mattress	- 1 pc.	6. Detachable side	- 1 pc.
2. Top frame	- 1 pc.	7. Main support -	- 1 pc.
3. Button for adjusting the height	- 2 pcs.	8. Fabric cover	- 1pc.
4. Main aluminium frame	- 1 pc.	9. Wheels	- 4 pcs
5. Lower lengthwise and crosswise support tubes	- 4 pcs.	10. Accessories basket (rack)	- 1 pcs.
		11. Mosquito net	- 1 pcs.
		12. Safety belt	- 1 pc.
		13. Carry bag	- 1 pc.

ASSEMBLY OF THE CRIB

1. Remove the crib from the bag.
2. Unfold the crib frame after lifting and rotating the legs outward so that with the legs in an upright position, the level markers are on the outside (Picture 2).
3. Pass the lengthwise and crosswise tubes into the holes of the fabric cover of the accessory basket (Picture 3) Attention! Place the tube pins so that they point to the designated mounting holes. Install the lower lengthwise and crosswise tubes of the rack until the pin shows through the plastic holes in the legs (Picture 4,5,6).
4. Remove the plastic guards on both sides of the main support attached to the fabric cover (Picture 7). Install the fabric cover on the top tubes of the crib, then zip it up. Assemble the main support to the side holes of both legs and make sure that the pin is installed correctly and firmly attached to the leg (Picture 8,9).Attention! To remove the support, press the buttons located on the underside of the legs.
5. Pass the free tube that is part of the upper frame through the opening on the detachable side of the fabric cover (if it is mounted, press the buttons on the bottom and release it). Place the free ends of the tube against the crib frame with the release buttons pointing down (Picture 10), then fasten the zips of the partition on both sides of the net (Picture 11,12).
6. To lower the detachable side, follow the sequence:
 - unfasten the zippers on both sides (Picture 11).
 - press the buttons at the bottom of the end of the tube to release it (Picture 13,14) and hook it to the side straps (Picture 15,16).
7. Raise the legs of the crib and install the axles of the wheels in the holes until you hear a "Click" (Picture 17,18). To remove the wheel, press the button located on the inside of the leg inward and pull the wheel down (Picture 19). To activate the wheel brake, press the lever down (Picture 20), and to release it - pull it up (Picture 21).
8. Install the mosquito net on the upper frame of the crib (Picture 22).

USE

1. Height adjustment. The height can be adjusted in 7 positions using the two buttons located on the side of the frame (Picture 23). Adjust to desired degree, then tighten the button locking screws with a screwdriver (not included) to ensure maximum stability (Picture 24).

2. Anti-reflux function (against the child choking) - the crib can be tilted with a maximum difference of 2 height positions between the legs on both sides (Picture 25). **ATTENTION!** The child's head must always be positioned towards the higher side! **ATTENTION!** The anti-reflux function can only be used when using the crib as an independent bed. This function can NOT be used when the crib is fixed to the adult bed!

3. Fixing the crib to the adult bed in the following sequence:

- lower the detachable side;

- envelop the adult bed mattress with the safety strap;

- fasten both ends of the strap to the bottom of the crib (1) (Picture 26), then fasten the hook to the side of the bed (2)(Picture 26). Pull the belt to adjust its length (3)(Picture 26) .

ATTENTION! Due to risk of falling, there should be NO gap between the underside of the product and the mattress of the adult bed!!! (Picture 27)

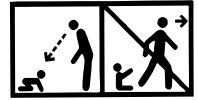
ATTENTION! Due to the risk of suffocation, adjust the height of the crib so that the edge of the adult bed mattress is above the edge of the detachable side of the crib. Do not use the crib for co-sleeping if the height of the parent's bed is less than 50cm or more than 80cm above the floor (Picture 28).

DISASSEMBLY OF THE CRIB

1. Unfasten the straps fitted to the adult bed.
2. Remove the wheels (Picture 19).
3. Remove the mosquito net and mattress from the crib.
4. Remove the detachable side and remove the free tube (Picture 14).
5. Unzip the crib -length zipper located on the top frame.
6. Disassemble the main support.
7. Remove the fabric cover from the top frame of the crib.
8. Disassemble lengthwise and crosswise tubes of the rack.
9. Fold both legs together to fold the crib.
10. Place in the bag.

¡IMPORTANTE! ¡LEA DETENIDAMENTE Y GUARDE PARA EL USO FUTURO!

ATENCIÓN



1. **¡ATENCIÓN!** ¡Nunca deje al niño desatendido!
2. **¡ATENCIÓN!** ¡No utilice este producto sin antes leer las instrucciones de uso!
3. **¡ATENCIÓN!** ¡Deje de usar la cuna tan pronto como el niño pueda sentarse sin ayuda, levantarse solo o levantarse sobre manos y rodillas!
4. **¡ATENCIÓN!** ¡Colocar objetos adicionales en el producto puede causar asfixia!
5. **¡ATENCIÓN!** ¡No coloque objetos adicionales (juguetes, almohadas, etc.) en la cuna!
6. **¡ATENCIÓN!** No coloque el producto junto a un otro producto que pueda crear riesgo de asfixia o sofocación, por ejemplo, cintas, cordones en persianas/cortinas, etc.
7. **¡ATENCIÓN!** ¡No utilice más de un colchón en el producto!
8. **¡ATENCIÓN!** Tenga en cuenta el peligro de las llamas abiertas y otras fuentes de calor intenso, como estufas eléctricas con reotanes, estufas de gas, etc. muy cerca de la cama de los niños (cuna o columpio).

REQUERIMIENTOS DE SEGURIDAD

1. **¡ATENCIÓN!** ¡Antes del primer uso del producto, retire del mismo todos los materiales publicitarios, así como los dispositivos utilizados para fijarlos al producto! Cualquier embalaje de plástico debe retirarse, destruirse o mantenerse fuera del alcance de los niños para evitar el riesgo de asfixia.
2. ¡El producto debe colocarse sobre un suelo nivelado!
3. ¡No permita que los niños pequeños jueguen cerca de la cama sin supervisión!
4. ¡La cuna debe estar bloqueada en una posición fija cuando el niño esté desatendido en ella!
5. ¡Todos los cierres deben estar siempre bien apretados y se debe tener cuidado de que no haya tornillos o accesorios sueltos donde el niño pueda colgar partes de su cuerpo o ropa (por ejemplo, cordones, cintas, cadenas de chupete) que puedan causar riesgo de asfixia! Realice controles de rutina para asegurarse de que no haya piezas sueltas, dañadas o faltantes.
6. El espesor máximo del colchón es de 3 cm. La información sobre el espesor máximo del colchón se indica en la etiqueta del producto, así como en el propio colchón.
7. El tamaño interior máximo de la cuna a la que está destinado el colchón es de 84/51 cm.
8. No utilice la cuna si la altura de la cama de los padres es inferior a 50 cm o superior a 80 cm del suelo (Foto 28).
9. No utilice un colchón de cuna distinto al proporcionado con el producto y aprobado por el fabricante.
10. Si utiliza un colchón distinto al proporcionado por el fabricante, asegúrense de que sea del grosor correcto y adecuado al producto. El grosor del colchón debe ser tal que la altura interior (desde la superficie superior del colchón hasta el borde superior de los laterales de la cuna) sea de al menos 200 mm.
11. Si utiliza un colchón distinto al proporcionado por el fabricante, su largo y ancho deben ser tales que la distancia máxima entre el colchón y los costados y extremos de la cuna no supere los 30 mm.
12. Es posible inclinar ligeramente la base de la cuna ajustando las dos patas a diferentes alturas (Foto 25). ¡Se permite la inclinación de la cuna con una diferencia de altura máxima entre las dos patas de 2 posiciones! **¡ATENCIÓN!** ¡La cabeza del niño debe estar siempre en el lado más alto!
13. **¡ATENCIÓN! NO** utilice la cuna si falta alguna pieza, está dañada o rota. Comuníquese con Didis Ltd para obtener repuestos e instrucciones si es necesario. ¡NO reemplace piezas!
14. El producto está listo para su uso sólo cuando los mecanismos de bloqueo están activados. ¡Asegúrate de que estén bien fijados antes de usarlos!

15. Cuando se deja al niño desatendido en una configuración de "cuna", asegúrese de que el lado móvil esté siempre hacia arriba y las cremalleras estén completamente cerradas.
16. ¡No utilice la cuna sin el marco!
17. ¡El montaje, plegado y desplegado del producto SÓLO debe ser realizado por un adulto!
18. No utilice el producto para más de un niño a la vez.
19. ¡Mantenga el producto fuera del alcance de los niños cuando no esté en uso!
20. Asegúrese de que las patas de la cuna estén completamente extendidas cuando la use como cuna independiente.
21. **¡ATENCIÓN! NO** utilice la cuna conectada a la cama de los padres si falta alguna pieza, está dañada o rota. Comuníquese con Didis Ltd para obtener repuestos e instrucciones si es necesario. ¡NO reemplace piezas!
22. ¡El uso del producto sólo está permitido en camas y/o colchones con lados rectos! Usar el producto con camas redondas y/o colchones, camas de agua o colchones de aire, etc. ¡NO AUTORIZADO!
23. Cuando el producto se utiliza en la función "Fijar a la cama de los padres", siempre debe instalarse en el lado largo de acceso de la cama. ¡NO fije el producto en la cabecera o los pies de la cama!
24. **¡IMPORTANTE PARA LA SEGURIDAD DE SU HIJO! ¡La función "Fijar a la cama de los padres" SÓLO** es aplicable con el tipo de camas que cumplen con todas las condiciones descritas anteriormente y en este párrafo! En particular, el soporte lateral de la cuna siempre debe colocarse cerca del colchón de los padres, y el colchón siempre debe estar alineado con la altura del soporte lateral para limitar la cuna (Foto 27). Además, la cuna debe estar firmemente sujeta al armazón de la cama de los padres o al soporte del colchón (base o armazón del colchón).
25. Las cunas conectadas a la cama de los padres nunca deben utilizarse en posición inclinada. ¡Con esta característica, ambas piernas siempre deben estar ajustadas a la misma altura!
26. **¡ATENCIÓN!** Cuando se utiliza la función "Fijar a la cama de los padres", para evitar un riesgo de asfixia por quedar atrapado, la cuna adjunta a la cama para padres debe estar correctamente asegurada a la cama de los padres mediante el sistema de fijación.
27. El sistema de fijación se suministra con la cuna. ¡No utilice ningún otro sistema de fijación!
28. Nunca debe haber un espacio entre la parte inferior de la cuna conectada a la cama de los padres y el colchón de la cama de los padres.
29. ¡Compruebe el sistema de fijación antes de cada uso!
30. Compruebe el ajuste del sistema de fijación antes de cada uso tirando de la cuna conectada a la cama de los padres para separarla de la cama de los padres.
31. Si hay algún espacio entre la cuna conectada a la cama de los padres y la cama de los padres, NO utilice el producto.
32. Los huecos no se deben rellenar con almohadas, mantas u otros objetos. Esto puede provocar riesgo de asfixia.
33. Durante el uso, asegúrese de que las sábanas, mantas de los padres no entren en el interior de la cuna y no la tapen.
34. El producto sólo debe usarse después de que esté firmemente sujeto a la cama para adultos o cuando el lado móvil esté bloqueado en su posición más alta para evitar el riesgo de que el niño se caiga.
35. **¡PELIGRO!** Cuando la cuna conectada a la cama de los padres no esté unida a la cama de los padres, todos sus lados deben estar en su lugar y/o en su posición más alta. Levante siempre completamente el lado móvil cuando la cuna no esté unida a la cama de los padres.
36. **¡ATENCIÓN!** Para evitar el riesgo de que el cuello del niño quede atrapado en la barandilla superior del lado contiguo a la cama de adultos, la barandilla superior no debe ser más alta que el colchón de la cama de adultos (Foto 28).
37. **¡ATENCIÓN!** Para evitar el riesgo de que su hijo sea estrangulado, el sistema de fijación a la cama de adultos debe mantenerse siempre alejado de la cama del niño.
38. El colchón de la cama de los padres debe estar alineado a la altura del lado móvil o por encima de ella en la posición más baja.
39. El colchón de la cama de los padres siempre debe estar más alto que el lateral de la cuna. En caso contrario, utilice el sistema de ajuste para asegurarse de que la altura sea la correcta en ambos lados.

40. Antes de cada uso, compruebe que no haya ningún espacio entre el colchón de la cama de los padres y la pared de la cuna. Tire y apriete el sistema de fijación hasta que se restablezca la distancia permitida.

41. ¡Utilice la cuna con el lado hacia abajo sólo en la función "Fijar a la cama de los padres"!

42. ¡ATENCIÓN! ¡Mantenga alejado del fuego!

43. ¡Las especificaciones, colores y contenidos pueden variar de los que se muestran en las imágenes!

EN 1130:2019 + AC: 2020; EN 16890:2017+A1:2021

CUIDADO Y MANTENIMIENTO

¡ATENCIÓN! Si utiliza la cuna en el exterior, limpie el polvo de las patas así como del resto de elementos, ya que puede entrar en el mecanismo de bloqueo y causar daños graves. En algunos climas, las piezas del producto pueden verse afectadas por moho y hongos. Para evitar esto, no doble ni guarde el producto si está húmedo o mojado. Guarde siempre el producto en un área bien ventilada. Siempre revise las piezas con regularidad para ver si hay tornillos, tuercas y otros sujetadores flojos, apriételos si es necesario.

Limpieza. Si es necesario, use jabón suave y agua tibia. Puede lavar la bolsa a mano en agua tibia sin planchar. No use lejía. Para lavar los tejidos, siga atentamente las instrucciones que figuran en la etiqueta. No utilice disolventes, productos abrasivos o productos agresivos para la limpieza. Para limpiar el colchón, siga cuidadosamente las instrucciones indicadas en la etiqueta. Es posible que este colchón no absorba el vómito del niño. Usar un protector de colchón es fundamental.

¡ATENCIÓN! No coloque objetos voluminosos en la cuna que puedan ayudar al niño a rodar sobre las redes de barrera. No coloque la cuna junto a aparatos de calefacción, ya que esto puede dañar las partes de plástico y textiles.

¡ATENCIÓN! ¡Para el correcto funcionamiento y almacenamiento de su cuna, lea atentamente estas instrucciones y sígalas al pie de la letra!

Materiales utilizados: Plástico, textil, metal, MDF

PARTES

Photo 1

1. Colchón	- 1 ud.
2. Marco superior	- 1 ud.
3. Botón de ajuste de altura	- 2 uds.
4. Marco principal de aluminio	- 1 ud.
5. Tubos de soporte inferiores transversales y longitudinales	- 4 uds.

6. Lado móvil	- 1 ud.
7. Perfil de soporte principal	- 1 ud.
8. Tapicería	- 1 ud.
9. Ruedas	- 4 piezas
10. Cesta para accesorios (baúl)	- 1 ud.
11. Mosquitera	- 1 ud.
12. Cinturón de seguridad	- 1 ud.
13. Bolsa de transporte	- 1 ud.

INSTALACIÓN DE LA CUNA

1. Retire la cuna de la bolsa.

2. Despliegue el marco de la cuna después de levantar y balancear las patas hacia afuera de modo que cuando las patas estén en posición vertical los marcadores de nivel queden en el exterior (Foto 2).

3. Pasar los tubos longitudinales y transversales por los orificios de la tapicería de la cesta de accesorios (Foto 3). ¡Atención! Oriente los pasadores de la tubería de modo que apunten a los orificios de montaje designados. Instale los tubos de rejilla longitudinales y transversales inferiores hasta que el pasador se vea a través de los orificios de plástico en las patas (Fotos 4, 5, 6).

4. Retire las protecciones de plástico a ambos lados del perfil de soporte principal fijado a la tapicería (Foto 7). Instale la tapicería en los tubos superiores de la cuna y luego cierre la cremallera. Ensamble el perfil de soporte principal en los orificios laterales de ambas patas y asegúrese de que el pasador esté instalado correctamente y bien sujeto a la pata (Fotos 8, 9). ¡Atención! Para retirar el perfil de soporte, presione los botones ubicados en la parte inferior de las patas.

5. Pase el tubo libre que forma parte del marco superior a través de la abertura en el lado móvil de la tapicería (si está instalado, presione los botones de abajo y suéltelo). Coloque los extremos libres del tubo al marco de la cuna con los botones de liberación hacia abajo (Foto 10), luego cerrar las cremalleras divisorias en ambos lados de la malla (Fotos 11, 12).

6. Para retirar el lado removible, siga la siguiente secuencia:

- desabrocha las cremalleras en ambos lados (Foto 11).

- presiona los botones inferiores en los extremos del tubo para soltarlo (Fotos 13, 14) y engánchalo a las correas laterales (Fotos 15, 16).

7. Levanta las patas de la cuna e instala los ejes de las ruedas en los orificios hasta escuchar un "Clic" (Fotos 17, 18). Para quitar la rueda, presione el botón ubicado en el interior de la pata hacia adentro y tire de la rueda hacia abajo (Foto 19). Para activar el freno de la rueda, empuje la palanca hacia abajo (Foto 20), y para soltarla hacia arriba (Foto 21).
8. Instale la mosquitera en el marco superior de la cesta. (Foto 22).

EXPLOTACIÓN

1. Ajuste de altura. La altura se puede ajustar en 7 posiciones mediante los dos botones ubicados en el lateral del marco (Foto 23). Ajuste al grado deseado, luego apriete los tornillos de bloqueo del botón con un destornillador (no incluido en el set) para garantizar la máxima estabilidad (Foto 24).
 2. Función antirreflujo (contra el asfixia del niño) - La cuna se puede inclinar con una diferencia máxima de 2 posiciones de altura entre las patas de ambos lados (Foto 25). ¡ATENCIÓN! ¡La cabeza del niño debe estar siempre orientada hacia el lado superior! ¡ATENCIÓN! La función antirreflujo sólo se puede utilizar cuando se utiliza la cuna como cama individual. ¡Esta función NO se puede utilizar cuando la cuna está fijada a la cama de adulto!
 3. Fijación de la cuna a la cama de adultos en la siguiente secuencia:
 - quitar el lado removible;
 - envuelva el cinturón de seguridad alrededor del colchón de la cama para adultos;
 - fije ambos extremos del cinturón al fondo de la cuna (1) (Foto 26), luego fije el gancho de agarre al costado de la cama (2) (Foto 26). Tire del cinturón para ajustar su longitud (3) (Foto 26).**¡ATENCIÓN!** ¡¡¡Debido al riesgo de caída, NO debe haber espacio entre la parte inferior del producto y el colchón de la cama para adultos!!! (Foto 27)
- ¡ATENCIÓN!** Debido al riesgo de asfixia, ajuste la altura de la cuna de modo que el borde del colchón de la cama para adultos quede por encima del borde del lateral extraíble de la cuna. No utilice la cuna si la altura de la cama de los padres es inferior a 50 cm o superior a 80 cm del suelo (Foto 28).

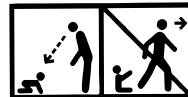
DESINSTALACIÓN DE LA CUNA

1. Desconecte los arneses instalados a la cama para adultos.
2. Retire las ruedas de la cuna (Foto 19).
3. Retire la mosquitera y el colchón de la cama del niño.
4. Retire el lado móvil y retire el tubo libre (Foto 14).
5. Abra la cremallera longitudinal de la cuna ubicada en el marco superior.
6. Desmontar el perfil de soporte principal.
7. Retire la tapicería del marco superior de la cuna.
8. Desmontar los tubos longitudinales y transversales del maletero.
9. Doble ambas piernas juntas para doblar la cuna.
10. Coloque la cuna en la bolsa.

IMPORTANTE LEGGERE ATTENTAMENTE E CONSERVARE PER USO FUTURO!

IT

ATTENZIONE



- 1.ATTENZIONE!** NON LASCIARE MAI IL BAMBINO SENZA SORVEGLIANZA!
- 2.ATTENZIONE!** Prima di utilizzare questo prodotto, leggere le istruzioni d'uso!
- 3.ATTENZIONE!** Smettere di usare il lettino non appena il bambino riesce a stare seduto senza aiuto, ad alzarsi da solo o ad alzarsi su mani e ginocchia!
- 4.ATTENZIONE!** Il posizionamento di articoli aggiuntivi nel prodotto può causare soffocamento.
- 5.ATTENZIONE! NON METTERE ARTICOLI AGGIUNTIVI NEL LETTINO (AD ES. GIOCATTOLI, CUSCINI, ECC.)!**
- 6.ATTENZIONE!** Non posizionare il prodotto vicino a un altro prodotto che potrebbe rappresentare rischio di asfissia o soffocamento, ad es. allacciature, corde per persiane/tende ecc.
- 7.ATTENZIONE!** Non utilizzare più di un materasso con il prodotto.
- 8.ATTENZIONE!** Essere consapevoli del pericolo rappresentato dalle fiamme libere e da altre fonti di calore intenso, come fornelli elettrici con reotani, fornelli a gas, ecc. in prossimità del lettino del bambino (culla o altalena).

REQUISITI DI SICUREZZA

- 1.ATTENZIONE!** Prima di utilizzare il prodotto per la prima volta, rimuovere da esso tutto il materiale pubblicitario, nonché i materiali per attaccarlo al prodotto! Eventuali imballaggi in plastica devono essere rimossi, distrutti o tenuti lontano dalla portata dei bambini per evitare il rischio di soffocamento.
- Il prodotto deve essere posizionato su un pavimento piano!
- Non permettere ai bambini piccoli di giocare incustoditi vicino al prodotto!
- Il lettino deve essere bloccato in una posizione fissa quando il bambino è lasciato incustodito al suo interno!
- Tutti gli elementi di fissaggio devono essere sempre fissati saldamente e prestare attenzione che non ci siano viti o accessori allentati a cui il bambino può attaccare parti del suo corpo o indumenti (ad es. allacciature, nastri, catene per ciuccio), che possono provocare rischio di soffocamento! Controllare regolarmente per assicurarsi che non vi siano parti allentate, danneggiate o mancanti.
- Lo spessore massimo del materasso è di 3 cm. Le informazioni sullo spessore massimo del materasso sono indicate sull'etichetta del prodotto, oltre che sul materasso stesso.
- Le dimensioni interne massime del lettino al quale è destinato il materasso sono 84/51 cm.
- Non utilizzare il lettino se l'altezza del letto dei genitori è inferiore a 50 cm o superiore a 80 cm dal pavimento (Foto 28).
- Non utilizzare un materasso per lettino diverso da quello fornito con il prodotto e approvato dal produttore
- Se viene utilizzato un materasso diverso da quello fornito dal produttore, assicurarsi che abbia lo spessore giusto e sia adatto al prodotto. Lo spessore del materasso deve essere tale che l'altezza interna (dalla superficie superiore del materasso al bordo superiore dei lati del lettino) sia di almeno 200 mm.
- Se viene utilizzato un materasso diverso da quello fornito dal produttore, la lunghezza e la larghezza devono essere tali che la distanza massima tra il materasso, i lati e i bordi del lettino non superi 30 mm.
- È possibile inclinare leggermente la base del lettino regolando le due gambe a diverse altezze (Foto 25). È consentita l'inclinazione del lettino con un dislivello massimo tra le due gambe di 2 posizioni! **ATTENZIONE!** La testa del bambino deve essere sempre posizionata sul lato più alto!
- 13.ATTENZIONE!** NON usare il lettino se una qualsiasi parte manca o risulta danneggiata o rotta. Contattare la Didis OOD per i pezzi di ricambio e le istruzioni, se necessario. NON sostituire le parti!
- Il prodotto è pronto all'uso solo quando sono attivati i meccanismi di blocco. Assicurarsi che siano ben fissati prima dell'uso!

15. Quando il bambino è lasciato incustodito nel prodotto nella configurazione "lettino", assicurarsi che il lato mobile sia sempre sollevato e che le cerniere siano completamente chiuse!
16. Non usare il lettino senza il telaio!
17. L'assemblaggio, l'apertura e la chiusura del prodotto devono essere eseguiti SOLO da un adulto!
18. Non utilizzare il prodotto per più di un bambino alla volta.
19. Tenere il prodotto fuori dalla portata dei bambini quando non è in uso.
20. Assicurarsi che i piedini del lettino siano completamente estesi quando si usa come un lettino autonomo.
21. NON utilizzare il lettino collegato al letto dei genitori in caso di parti mancanti o danneggiate o rotte. Contattare la Didis OOD per i pezzi di ricambio e le istruzioni, se necessario. NON sostituire le parti!
22. L'uso del prodotto è consentito solo con letti e / o un materasso con lati diritti! È VIETATO l'uso del prodotto con letti rotondi e/o materassi o letti ad acqua o materassi gonfiabili, ecc.!
23. Quando il prodotto viene utilizzato nella funzione "Fissaggio al letto dei genitori", deve essere sempre montato dal lato lungo di accesso al letto. NON fissare il prodotto al lato della testa o al fondo del letto!
- 24. IMPORTANTE PER LA SICUREZZA DEL TUO BAMBINO!** La funzione "Fissaggio al letto dei genitori" è applicabile SOLO con il tipo di letti che soddisfano tutte le condizioni sopra descritte e quelle di cui a questo paragrafo! In particolare, il supporto laterale del lettino deve essere sempre posizionato vicino al materasso del genitore e il materasso deve essere sempre allineato all'altezza del supporto laterale per limitare il lettino (Foto 27). Inoltre, il lettino deve essere saldamente fissato alla struttura del letto dei genitori o al supporto del materasso (base o telaio del materasso).
25. I lettini collegati al letto dei genitori non devono mai essere utilizzati in posizione inclinata. Con questa funzione, entrambi i piedini devono essere sempre regolati alla stessa altezza!!
- 26. ATTENZIONE!** Quando si utilizza la funzione del prodotto "Fissaggio al letto dei genitori", per evitare il rischio di soffocamento all'intrappolamento, il lettino collegato al letto dei genitori deve essere correttamente fissato al letto dei genitori utilizzando il sistema di fissaggio.
27. Il sistema di fissaggio è fornito con il lettino. Non utilizzare un altro sistema di fissaggio.
28. Mai deve esserci uno spazio tra la parte inferiore del lettino collegato al letto dei genitori e il materasso del letto dei genitori.
29. Controllare sempre il sistema di fissaggio prima di ogni utilizzo!
30. Controllare la tenuta del sistema di fissaggio prima di ogni utilizzo tirando il lettino collegato al letto dei genitori a lato dal letto dei genitori.
31. Se è presente uno spazio tra il lettino collegato con il letto dei genitori e il letto dei genitori, NON utilizzare il prodotto.
32. Gli spazi vuoti non devono essere riempiti con cuscini, coperte o altri oggetti. Ciò può causare rischio di soffocamento.
33. Durante l'uso, assicurarsi che le lenzuola, le coperte per i genitori non entrino e non coprano l'interno del lettino.
- 34. Il prodotto deve essere utilizzato solo quando è saldamente fissato al letto dell'adulto o quando il lato mobile è bloccato nella sua posizione più alta per evitare il rischio di caduta del bambino.**
- 35. PERICOLO! - Quando il lettino collegato al letto dei genitori, non è attaccato al letto dei genitori, tutti i suoi lati devono essere posizionati al loro posto e/o nella loro posizione più alta. Sollevare sempre completamente il lato mobile quando il lettino non è attaccato al letto dei genitori.**
- 36. ATTENZIONE - Per evitare il pericolo d'intrappolare il collo del bambino vicino alla sponda superiore dal lato vicino al letto dei genitori, la sponda superiore non deve essere più alta del materasso del letto dei genitori (Foto 28).**
- 37. ATTENZIONE - Per evitare il rischio di soffocamento del tuo bambino, il sistema di fissaggio al letto dei genitori deve essere sempre tenuto lontano dal lettino e fuori da esso.**
- 38. Il materasso del letto dei genitori deve essere allineato all'altezza o al di sopra del lato mobile nella posizione più bassa.**
39. Il materasso del letto dei genitori deve essere sempre più alto rispetto al lato del lettino. Se non è, utilizzare il sistema di regolazione per assicurarsi che l'altezza sia corretta da entrambi i lati.

40. Prima di ogni uso, controllare sempre che non ci sia spazio tra il materasso del letto dei genitori e la parete del lettino. Tirare e serrare il sistema di fissaggio fino al ripristino delle condizioni consentite.

41. Utilizzare il lettino con il lato abbassato solo nella funzione "Fissaggio al letto dei genitori".

42. ATTENZIONE! Tenere lontano dal fuoco!

43. Specifiche, colori e contenuti possono variare da quelli mostrati nelle foto!

EN 1130:2019 + AC:2020; EN 16890:2017+A1:2021

CURA E MANTENIMENTO

ATTENZIONE! Se usate il box fuori, pulite la polvere, appiccicatasi ai piedi, e anche agli altri elementi, poiché se la polvere si trovasse nel meccanismo delle serrature potrebbe causare danni gravi. In alcune condizioni climatiche le parti possono essere affette da muffa e mucido. Per evitare questo non piegare e non conservare il prodotto, se risulta umido o bagnato. Conservare il prodotto a un posto ben aerato. Verificare sempre le parti per eventuali viti, bulloni e dadi e gli altri elementi di fissaggio, se necessario serrare.

Pulizia. Se necessario, usate sapone tenero e acqua calda. Potete lavare il sacco a mano, in acqua calda, senza usare il ferro da stiro. Non usate la candeggina. Per il lavaggio dei tessuti rispettare scrupolosamente quanto indicato sull'etichetta. Per la pulizia non utilizzare solventi, prodotti abrasivi o aggressivi.

ATTENZIONE! Non mettete degli oggetti ingombranti nel box i quali potrebbero aiutare il bambino ad oltrepassare le reti di sicurezza. Non lasciate il box vicino a fonti di calore, poiché questo potrebbe danneggiare le parti in plastica o in tessuto.

ATTENZIONE! Per lo sfruttamento regolare e per la custodia corretta del vostro box, leggete attentamente il presente manuale di istruzioni e osservate in maniera rigida!

Materiali utilizzati: Plastica, tessuti, metallo, MDF.

PARTI

Photo 1

- | | |
|---|---------|
| 1. Materasso | - 1 pz. |
| 2. Telaio superiore | - 1 pz. |
| 3. Pulsante di regolazione dell'altezza | - 2 pz. |
| 4. Telaio principale in alluminio | - 1 pz. |
| 5. Tubi di supporto inferiori trasversali e longitudinali | - 4 pz. |

- | | |
|-----------------------------------|-----------|
| 6. Lato mobile | - 1 pz. |
| 7. Profilo di supporto principale | - 1 pz. |
| 8. Tappezzeria | - 1 pz. |
| 9. Ruote | - 4 pezzi |
| 10. Cestino per accessori (baule) | - 1 pz. |
| 11. Zanzariera | - 1 pz. |
| 12. Cintura di sicurezza | - 1 pz. |
| 13. Borsa per il trasporto | - 1 pz. |

INSTALLAZIONE DEL LETTINO

1. Rimuovere il lettino dalla borsa.

2. Aprire il telaio del lettino dopo aver sollevato e fatto oscillare le gambe in modo che, quando le gambe sono in posizione verticale, i contrassegni di livello siano all'esterno (Foto 2).

3. Far passare i tubi longitudinali e trasversali attraverso i fori nel rivestimento del cestino per accessori (Foto 3) Attenzione! Orientare i perni dei tubi in modo che puntino verso i fori di montaggio designati. Installare i tubi longitudinali e trasversali inferiori del bagagliaio finché il perno non appare attraverso i fori di plastica nelle gambe (Foto 4, 5, 6).

4. Rimuovere le protezioni in plastica su entrambi i lati del profilo di supporto principale fissato alla tappezzeria (Foto 7). Installa la tappezzeria sui tubi superiori del lettino, quindi chiudi la cerniera. Assemblare il profilo di supporto principale ai fori laterali di entrambe le gambe e assicurarsi che il perno sia installato correttamente e fissato saldamente alla gamba (Foto 8, 9). Attenzione! Per rimuovere il profilo di supporto premere i pulsanti posti nella parte inferiore delle gambe.

5. Passare il tubo libero che fa parte del telaio superiore attraverso l'apertura sul lato rimovibile della tappezzeria (se installato, premere i pulsanti sottostanti e rilasciarlo). Posizionare le estremità libere del tubo al telaio del lettino con i pulsanti di rilascio rivolti verso il basso (Foto 10), quindi allacciare le cerniere divisorie su entrambi i lati della rete (Foto 11, 12).

6. Per rimuovere il lato rimovibile, seguire la seguente sequenza:

- slacciare le cerniere su entrambi i lati (Foto 11).

- premere i pulsanti inferiori alle estremità del tubo per sganciarlo (Foto 13, 14) ed agganciarlo alle cinghie laterali (Foto 15, 16).

7. Sollevare le gambe del lettino e installare gli assi delle ruote nei fori finché non si sente un "Click" (Foto 17, 18). Per rimuovere la ruota, premere il pulsante all'interno della gamba verso l'interno e abbassare la ruota (Foto 19). Per attivare il freno della ruota, spingere la leva verso il basso (Foto 20), e per rilasciarlo spingere la leva verso l'alto (Foto 21).

8. Installare la zanzariera sul telaio superiore del

SFRUTTAMENTO

1. Regolazione dell'altezza. L'altezza può essere regolata in 7 posizioni utilizzando i due pulsanti posti sul lato del telaio (Foto 23). Regolare al livello desiderato, quindi serrare le viti di bloccaggio dei pulsanti con un cacciavite (non incluso nel set) per garantire la massima stabilità (Foto 24).

2. Funzione antireflusso (contro il soffocamento infantile) - Il lettino può essere inclinato con una differenza massima di 2 posizioni di altezza tra le gambe su entrambi i lati (Foto 25). **ATTENZIONE!** La testa del bambino deve essere sempre posizionata sul lato più alto! **ATTENZIONE!** La funzione antireflusso può essere utilizzata solo quando il lettino viene utilizzato come letto singolo. Questa funzione **NON PUÒ** essere utilizzata quando il lettino è attaccato al letto per adulti!

3. Fissare il lettino al letto per adulti nella seguente sequenza:

- rimuovere il lato rimovibile;

- avvolgere la cintura di sicurezza attorno al materasso del letto per adulti;

- Attaccare entrambe le estremità della cintura al fondo del lettino (1) (Foto 26), quindi attaccare il gancio di presa al lato del letto (2) (Foto 26). Tirare la cintura per regolarne la lunghezza (3) (Foto 26).

ATTENZIONE! A causa del rischio di caduta, **NON** deve esserci spazio tra la parte inferiore del prodotto e il materasso del letto per adulti!!!! (Foto 27)

ATTENZIONE! A causa del rischio di soffocamento, regolare l'altezza del lettino in modo che il bordo del materasso del letto per adulti sia sopra il bordo della sponda rimovibile del lettino. Non utilizzare il lettino se l'altezza del letto dei genitori è inferiore a 50 cm o superiore a 80 cm dal pavimento (Foto 28).

DISINSTALLAZIONE DEL LETTINO

1. Scollegare le imbracature installate sul letto per adulti.

2. Rimuovere le ruote dal lettino (Foto 19).

3. Rimuovere la zanzariera e il materasso dal lettino.

4. Rimuovere la parte mobile e rimuovere il tubo libero (Foto 14).

5. Aprire la cerniera della lunghezza del lettino situata sul telaio superiore.

6. Smantelli il profilo di supporto principale.

7. Rimuovere la tappezzeria dal telaio superiore del lettino.

8. Smontare i tubi longitudinali e trasversali del bagagliaio.

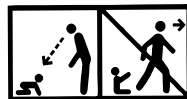
9. Piega entrambe le gambe insieme per piegare il lettino.

10. Metti nella borsa.

IMPORTANT! VEUILLEZ LIRE ATTENTIVEMENT ET GARDER POUR UTILISATION FUTURE !

FR

ATTENTION



- 1. ATTENTION ! NE JAMAIS LAISSER L'ENFANT SANS SURVEILLANCE !**
- 2. ATTENTION !** N'utilisez pas ce produit sans avoir lu les instructions d'utilisation !
- 3. ATTENTION !** Arrêtez d'utiliser le berceau dès que l'enfant peut s'asseoir sans aide, se tenir debout seul ou se relever sur ses mains et ses genoux !
- 4. ATTENTION !** Le fait de placer des objets supplémentaires dans le produit peut provoquer une suffocation.
- 5. ATTENTION ! NE JAMAIS PLACEZ DANS LE LIT BÉBÉ DES OBJETS SUPPLÉMENTAIRES (PAR EXEMPLE DES JOUETS, DES OREILLETES, ETC.) !**
- 6. ATTENTION !** Ne jamais placez le produit à proximité d'un autre produit qui peut présenter un risque d'étouffement ou d'étouffement, par ex. cordes, cordons pour stores / rideaux, etc.
- 7. ATTENTION !** N'utilisez pas plus d'un matelas pour ce produit.
- 8. ATTENTION !** Soyez conscient du danger des flammes nues et d'autres sources de chaleur intense, telles que les cuisinières électriques au réactif, les cuisinières à gaz, etc. à proximité immédiate du lit de l'enfant (lit bébé ou balançoire).

EXIGENCES DE SÉCURITÉ

- 1. ATTENTION !** Avant d'utiliser le produit pour la première fois, retirez-en tous les matériaux publicitaires, ainsi que les éléments permettant de les fixer au produit ! Tout emballage en plastique doit être retiré, détruit ou tenu hors de portée des enfants pour éviter tout risque d'étouffement.
- 2.** Le produit doit être placé sur un sol plat !
- 3.** Ne laissez pas de petits enfants jouer sans surveillance près du produit !
- 4.** Le lit bébé doit être bloqué dans une position fixe lorsque l'enfant n'y est pas surveillé !
- 5.** Tous les éléments d'attachement doivent toujours être fermement serrés et il faut veiller à ce qu'il n'y ait pas de vis ou d'accessoires desserrés auxquels l'enfant puisse attacher des parties de son corps ou de ses vêtements (par exemple, cordes, rubans, chaînes de sucettes), ce qui peut causer un risque d'étouffement !
Effectuez des inspections de routine pour vous assurer qu'il n'y a pas de pièces desserrées, endommagées ou manquantes.
- 6.** L'épaisseur maximale du matelas est de 3 cm. Les informations sur l'épaisseur maximale du matelas sont indiquées sur l'étiquette du produit, ainsi que sur le matelas lui-même.
- 7.** Les dimensions intérieures maximales du lit de bébé auquel le matelas est destiné sont de 84/51cm.
- 8.** N'utilisez pas le lit bébé si la hauteur du lit des parents est inférieure à 50 cm ou supérieure à 80 cm au-dessus du sol (Photo 28).
- 9.** N'utilisez pas de matelas pour le lit bébé autre que celui fourni avec le produit et approuvé par le fabricant.
- 10.** Si vous utilisez un matelas autre que celui fourni par le fabricant, assurez-vous qu'il a la bonne épaisseur et qu'il convient au produit. L'épaisseur du matelas doit être telle que la hauteur intérieure (de la surface supérieure du matelas au bord supérieur des côtés du lit bébé) soit d'au moins 200 mm.
- 11.** Si vous utilisez un matelas autre que celui fourni par le fabricant, la longueur et la largeur doivent être telles que la distance maximale entre le matelas et les côtés et les bords du lit ne dépasse pas 30 mm.

12. Il est possible d'incliner légèrement la base du lit bébé en ajustant les deux pieds à des hauteurs différentes (Photo 25). L'inclinaison du lit est autorisée avec une différence de hauteur maximale entre les deux pieds de 2 positions ! **ATTENTION!** La tête de l'enfant doit toujours être située du côté le plus haut !

13. **ATTENTION ! N'UTILISEZ PAS** le lit bébé si une pièce est manquante, endommagée ou cassée. Veuillez contacter Didis Ltd. Pour les pièces de rechange et les instructions, si nécessaire. **NE** remplacez **PAS** les pièces !

14. Le produit n'est prêt à être utilisé que lorsque les mécanismes de fixation sont activés. Assurez-vous qu'ils sont bien fixés avant utilisation !

15. Lorsque l'enfant est sans surveillance dans le produit dans la configuration "lit", assurez-vous que la partie déroulante est toujours relevée et que les fermetures à glissière sont complètement fermées !

16. N'utilisez pas le lit bébé sans le cadre !

17. L'assemblage, le dépliage et le pliage du produit doivent être effectués **UNIQUEMENT** par un adulte !

18. N'utilisez pas le produit pour plus d'un enfant à la fois.

19. Stockez le produit hors de portée des enfants lorsqu'il n'est pas utilisé.

20. Assurez-vous que les pieds du lit sont complètement étendus lorsqu'il est utilisé comme lit indépendant.

21. **NE FIXEZ PAS** le lit bébé au lit des parents si une pièce est manquante, endommagée ou cassée. Contactez Didis OOD pour les pièces de rechange et les instructions, si nécessaire. **NE** remplacez **PAS** les pièces !

22. L'utilisation du produit n'est autorisée qu'avec des lits et / ou un matelas à côtés droits ! L'utilisation du produit avec des lits ronds et / ou des matelas ou des lits à eau ou des matelas gonflables, etc. Est **INTERDIT !**

23. Lorsque le produit est utilisé dans la fonction "Fixation au lit parent", il doit toujours être monté sur le côté long de l'accès au lit. **NE** fixez **PAS** le produit sur la tête ou le bas du lit !

24. **IMPORTANT POUR LA SÉCURITÉ DE VOTRE ENFANT!** La fonction "Fixation au lit des parents" est applicable **UNIQUEMENT** avec les types de lits qui remplissent toutes les conditions décrites ci-dessus et dans ce paragraphe ! En particulier, le support latéral du lit doit toujours être placé près du matelas des parents, et le matelas doit toujours être aligné avec la hauteur du support latéral pour limiter le lit d'enfant. (Photo 27) De plus, le lit bébé doit être solidement fixé à la structure du lit des parents ou au support du matelas (le sommier).

25. Les lits bébé fixés au lit des parents ne doivent jamais être utilisés en position inclinée. Avec cette fonction, les deux pieds doivent toujours être réglés à la même hauteur !

26. **ATTENTION!** Lorsque vous utilisez la fonction de produit « Fixation au lit des parents », pour éviter le risque d'étouffement ou de coincement, le lit bébé fixé au lit des parents doit être correctement lié au lit des parents à l'aide du système de fixation.

27. Le système de fixation est fourni avec le lit bébé. N'utilisez pas d'autre système de fixation.

28. Il ne faut jamais y avoir d'espace entre le dessous du lit bébé fixé au lit des parents et le matelas du lit des parents.

29. Vérifiez toujours le système de fixation avant chaque utilisation !

30. Vérifiez la fermeté du système de fixation avant chaque utilisation en tirant le lit fixé au lit des parents loin du lit des parents.

31. S'il y a un écart entre le lit bébé fixé au lit des parents et le lit des parents, **N'UTILISEZ PAS** le produit.

32. Les espaces ne doivent pas être remplis d'oreillers, de couvertures ou d'autres objets. Cela peut entraîner un risque d'étouffement.

33. Lors de l'utilisation, assurez-vous que les draps, couvertures pour les parents ne pénètrent pas et ne couvrent pas l'intérieur du lit bébé.

34. Le produit ne doit être utilisé que lorsqu'il est solidement fixé au lit des parents ou lorsque le côté mobile est bloqué dans sa position la plus haute pour éviter le risque de chute de l'enfant.

35. **DANGER ! – Lorsque le lit bébé, lié au lit des parents n'est pas fixé, il faut que toutes ses côtés soient placés dans leur position la plus élevée. Levez toujours complètement le côté mobile lorsque le lit bébé n'est pas attaché au lit des parents.**

36.ATTENTION - Pour éviter le danger de blocage du cou de l'enfant par le rail supérieur sur le côté du lit des parents, le rail supérieur ne doit pas dépasser la hauteur du matelas du lit des parents (Photo 28).

37.ATTENTION - Pour éviter le risque d'étrangement de votre enfant, le système de fixation au lit des parents doit toujours être éloigné du lit bébé et placé à l'extérieur.

38.Le matelas du lit des parents doit être aligné au niveau ou au-dessus de la hauteur du côté mobile dans sa position la plus basse.

39.Le matelas du lit des parents doit toujours être plus haut que le côté du lit bébé. Sinon, utilisez le système de réglage pour vous assurer que la hauteur est correcte des deux côtés.

40.Avant chaque utilisation, vérifiez toujours qu'il n'y a pas d'espace entre le matelas du lit des parents et la paroi du lit. Tirez et serrez le système de fixation jusqu'à ce que la condition permette soit rétablie.

41.Utilisez le lit bébé avec la paroi abaissée uniquement dans la fonction "Fixation au lit des parents".

42. ATTENTION ! Tenez à l'écart du feu !

43. Les spécifications, les couleurs et le contenu peuvent différer de ceux présentés sur les photos !

EN 1130:2019 + AC:2020; EN 16890:2017+A1:2021

SOIN ET ENTRETIEN

AVERTISSEMENT! Si vous utilisez dehors le lit bébé pour jouer nettoyez la poussière collée aux pieds ainsi qu'aux autres éléments car entrée dans le mécanisme des serrures elle peut causer de graves dommages. Dans certaines conditions climatiques, les parties du lit peuvent être affectées par la moisissure. Pour éviter cela, ne pliez pas et ne stockez pas le produit s'il est humide ou mouillé. Toujours stocker le produit dans un endroit bien ventilé. Vérifiez toujours que les pièces, les vis, les écrous et les autres fixations sont desserrés et serrez-les si nécessaire.

Nettoyage. Utilisez un savon doux et de l'eau chaude en cas de besoin. Le sac peut être lavé à la main avec de l'eau chaude sans le repasser. Ne pas utiliser de l'eau de Javel. Pour laver les tissus, suivez attentivement les instructions sur l'étiquette. N'utilisez pas de solvants, d'abrasifs ou de produits corrosifs pour le nettoyage.

AVERTISSEMENT! Ne placez pas d'objets encombrants dans le lit bébé pour jouer qui peuvent aider l'enfant à passer par-dessus les filets de cloison. Ne pas mettre le lit bébé pour jouer près d'appareils de chauffage car cela peut endommager les pièces en plastique et en textile.

AVERTISSEMENT! Pour l'utilisation et le stockage corrects de votre lit bébé pour jouer lisez attentivement ces instructions et respectez-les!

Matériaux utilisés : plastique, textile, métal, MDF

PIÈCES

Figure 1

1. Matelas	- 1 unité	6. Côté mobile	- 1 unité
2. Cadre supérieur	- 1 unité	7. Profil de support principal	- 1 unité
3. Bouton de réglage de la hauteur	- 2 unités	8. Revêtement	- 1 unité
4. Cadre principal en aluminium	- 1 unité	9. Roues	- 4 unités
5. Tubes de support inférieurs transversal et longitudinal	- 4 unités	10. Panier pour accessoires (coffre)	- 1 unité
		11. Moustiquaire	- 1 unité
		12. Ceinture de sécurité	- 1 unité
		13. Sac de transport	- 1 unité

MONTAGE DU LIT BÉBÉ

1. Sortez le lit du sac.

2. Dépliez le cadre du lit de bébé après avoir soulevé et fait pivoter les pieds vers l'extérieur de sorte qu'avec les pieds en position verticale, les repères de niveau soient à l'extérieur (Photo 2).

3. Passez les tubes longitudinaux et transversaux dans les trous du revêtement du panier d'accessoires (Photo 3) Attention ! Orientez les broches du tuyau de manière qu'elles pointent vers les trous de montage désignés. Installez les tubes diagonaux inférieurs et les tubes transversaux sur le rack jusqu'à ce que la goupille transparaisse à travers les trous en plastique dans les pieds (Photo 4,5,6).

4. Retirez les protections en plastique des deux côtés du profilé de support principal fixé au revêtement (Photo 7). Installez le revêtement sur les tubes supérieurs du lit, puis fermez-le. Assemblez le profilé de support principal aux trous latéraux des deux pieds et assurez-vous que la goupille est correctement installée et fermement fixée au pied (Photo 8,9). Attention ! Pour retirer le profilé de support, appuyez sur les boutons situés sous les pieds.

5. Passez le tube libre qui fait partie du cadre supérieur à travers l'ouverture du côté déroulant du revêtement (s'il est installé, appuyez sur les boutons du bas et libérez-le). Placez les extrémités libres du tube contre le cadre du lit avec les boutons de déverrouillage vers le bas (Photo 10), puis fermez les fermetures éclair de séparation des deux côtés du filet (Photo 11, 12).

6. Pour supprimer le côté amovible, suivez la séquence suivante :

- dégrafez les fermetures éclair des deux côtés (Photo 11).

- appuyez sur les boutons en bas de l'extrémité du tube pour le libérer (Photo 13,14) et l'accrocher aux sangles latérales (Photo 15,16).

7. Soulevez les pieds du lit et installez les axes des roues dans les trous jusqu'à ce que vous entendiez un « Clic » (Photo 17,18). Pour démonter la roue, appuyez sur le bouton situé à l'intérieur du pied vers l'intérieur et tirez la roue vers le bas (Photo 19). Pour activer le frein de roue, poussez le levier vers le bas (Photo 20), et pour le relâcher (Photo 21).

8. Montez la moustiquaire sur le cadre supérieur du lit (Photo 22).

EXPLOITATION

1. Réglage de la hauteur. La hauteur peut être réglée en 7 positions à l'aide des deux boutons situés sur le côté du cadre (Photo 23). Ajustez au niveau souhaité, puis serrez les vis de verrouillage des boutons avec un tournevis (non inclus) pour assurer une stabilité maximale (Photo 24).

2. Fonction anti-reflux (contre l'étouffement de l'enfant) - le lit peut être incliné avec une différence maximale de 2 positions de hauteur entre les jambes des deux côtés (Photo 25). **ATTENTION!** La tête de l'enfant doit toujours être positionnée vers le côté le plus haut ! **ATTENTION!** La fonction anti-reflux ne peut être utilisée que lorsque vous utilisez le lit bébé comme lit simple. Cette fonction NE peut PAS être utilisée lorsque le lit bébé est fixé au lit adulte !

3. Fixation du lit bébé au lit adulte dans l'ordre suivant :

- supprimez le côté amovible ;

- recouvrez le matelas du lit adulte avec la ceinture de sécurité ;

- fixez les deux extrémités de la ceinture au bas du lit (1) (Photo 26), puis fixez le crochet sur le côté du lit (2) (Photo 26). Tirez sur la ceinture pour régler sa longueur (3)(). Photo 26).

ATTENTION! En raison du risque de chute, il ne doit y avoir AUCUN espace entre le dessous du produit et le matelas du lit adulte !!! (Photo 27)

ATTENTION! En raison du risque d'étouffement, réglez la hauteur du lit de bébé de manière que le bord du matelas du lit adulte soit au-dessus du bord du côté amovible du lit de bébé. N'utilisez pas le lit bébé si la hauteur du lit des parents est inférieure à 50 cm ou supérieure à 80 cm au-dessus du sol (Photo 28).

DÉMONTAGE DU LIT BÉBÉ

1. Débranchez les ceintures montées sur le lit adulte.

2. Retirez les roues du lit (Photo 19).

3. Retirez la moustiquaire et le matelas du lit bébé.

4. Retirez le côté amovible et retirez le tube libre (Photo 14).

5. Déverrouillez la fermeture éclair sur toute la longueur du lit située sur le cadre supérieur.

6. Démontez le profil de support principal.

7. Retirez le revêtement du cadre supérieur du berceau.

8. Démontez les tubes de coffre longitudinaux et transversaux.

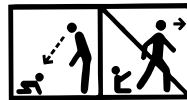
9. Pliez les deux pieds ensemble pour plier le lit.

10. Placer dans un sac.

ВАЖНО ПРОЧЕТЕТЕ ВНИМАТЕЛНО И ЗАПАЗЕТЕ ЗА СЛЕДВАЩА УПОТРЕБА!

BG

ВНИМАНИЕ



- 1. ВНИМАНИЕ!** Никога не оставяйте детето без надзор!
- 2. ВНИМАНИЕ!** Не използвайте този продукт без първо да сте прочели инструкцията за употреба!
- 3. ВНИМАНИЕ!** Спрете да използвате детското креватче веднага след като детето може да сяда без чужда помощ, да се изправя само или да се повдига на своите ръце и колене!
- 4. ВНИМАНИЕ!** Поставянето на допълнителни предмети в продукта може да причини задушаване!
- 5. ВНИМАНИЕ!** Не поставяйте в детското креватче допълнителни предмети (играчки, възглавници и др.)!
- 6. ВНИМАНИЕ!** Не поставяйте продукта в близост до друг продукт, който може да представлява опасност от задушаване или удушаване, напр. връзки, шнулове за щори/завеси и др.
- 7. ВНИМАНИЕ!** Не използвайте повече от един матрак в продукта!
- 8. ВНИМАНИЕ!** Внимавайте за опасността от открит огън и други източници на силна топлина, като електрически печки с реотани, газови печки и т.н. в непосредствена близост до детското легло (кошара или люлка).

ИЗИСКВАНИЯ ЗА БЕЗОПАСНОСТ

- 1. ВНИМАНИЕ!** Преди да използвате продукта за първи път, отстранете всички рекламни материали от него, както и материалите за закрепването им към продукта! Всяка пластмасова опаковка трябва да се отстрани, унищожи или държи далеч от деца, за да се избегне риска от задушаване.
2. Продуктът трябва да бъде поставен на равен под!
3. Не позволявайте на малки деца да играят без надзор в близост до леглото!
4. Детското креватче трябва да бъде заключено във фиксирана позиция когато детето е оставено без надзор в него!
5. Всички крепежни елементи трябва винаги да бъдат здраво затегнати и трябва да се внимава да няма разхлабени винтове или присъединителни елементи, на които детето може да закачи части от тялото или дрехите си (напр. връзки, панделки, верижки за биберони-залъгалки), което може да предизвика риск от задушаване! Извършвайте рутинни проверки за да се уверите, че няма разхлабени, повредени или липсващи части.
6. Максималната дебелина на матрака е 3 см. Информация за максималната дебелина на матрака е посочена на маркировката на продукта, както и на самият матрак.
7. Максималната вътрешна големина на креватчето, за което е предназначен матрака е 84/51 см.
8. Не използвайте детското креватче, ако височината на родителското легло е по-малко от 50см или повече от 80см над пода (Снимка 28).
9. Не използвайте матрак за детското креватче, различен от този, предоставен с продукта и одобрен от производителя.
10. Ако използвате матрак, различен от предоставения от производителя, уверете се, че е с правилната дебелина и е подходящ за продукта. Дебелината на матрака трябва да бъде такава, че вътрешната височина (от горната повърхност на матрака до горния ръб на страниците на детското креватче) да бъде най-малко 200 мм.
11. Ако използвате матрак, различен от предоставения от производителя, дължината и ширината му трябва да бъдат такива, че максималното разстояние между матрака и страните и краищата на креватчето да не надвишават **23** 30 мм.

12. Възможно е леко накланяне на основата на детското крeватчe, чрез регулиране на двата крака на различни височини (Снимка 25). Накланянето на детското крeватчe е позволено с максимална разлика във височината между двата крака от 2 позиции! **ВНИМАНИЕ!** Главата на детето винаги трябва да бъде разположена от най-високата страна!
13. **ВНИМАНИЕ!** НЕ използвайте детското крeватчe, ако някоя част липсва или е повредена или е счупена. Свържете се с „Дидис“ ООД за резервни части и инструкции, ако е необходимо. НЕ замествайте части!
14. Продуктът е готов за употреба само когато механизмите за заключване са задействани. Уверете се, че са добре фиксирани преди употреба!
15. Когато детето е оставено без надзор в конфигурация „крeватчe“, уверете се, че падащата страница е винаги вдигната и циповете са закопчани напълно.
16. Не използвайте детското крeватчe без рамката!
17. Сглобяването, сгъването и разгъването на продукта да се извършва САМО от възрастен!
18. Не използвайте продукта за повече от едно дете едновременно.
19. Съхранявайте продукта на място, недостъпно за деца, когато не се използва!
20. Уверете се, че краката на детското крeватчe са напълно разпънати, когато използвате като самостоятелно крeватчe.
21. **ВНИМАНИЕ!** НЕ използвайте крeватчето, свързано с леглото на родителите, ако някоя част липсва или е повредена или е счупена. Свържете се с „Дидис“ ООД за резервни части и инструкции, ако е необходимо. НЕ замествайте части!
22. Използването на продукта е разрешено само с легла и/или матрак с прави страни! Използването на продукта с кръгли легла и/или матрак или водни легла или надуваеми матраци и т.н. НЕ Е РАЗРЕШЕНО!
23. Когато продуктът се използва във функция „ Фиксиране към родителското легло“, той винаги трябва да бъде монтиран на дългата страна на достъп на леглото. НЕ фиксирайте продукта откъм главата или дъното на леглото!
24. **ВАЖНО ЗА БЕЗОПАСТНОСТТА НА ВАШЕТО ДЕТЕ!** Функцията „ Фиксиране към родителското легло“ е приложима САМО с типа легла, които отговарят на всички условия описани по-горе и в този параграф! По-специално, страничната опора на детското крeватчe трябва винаги да се поставя близо до матрака на родителя, а матрака трябва винаги да е подравнен с височината на страничната опора за ограничаване на кошарата (Снимка 27). Освен това, детското крeватчe трябва да бъде здраво закрепено към конструкцията на родителското легло или към опората за матрак (основа или матрачна рамка).
25. Крeватчетата, свързани с родителското легло, никога не трябва да се използват в наклонено положение. При тази функция, двата крака трябва винаги да бъдат регулирани на една и съща височина!
26. **ВНИМАНИЕ!** Когато използвате функцията „ Фиксиране към родителското легло“, за да се предотврати опасност от задушаване от заклещване, крeватчето свързано с родителското легло, трябва да бъде закрепено по правилен начин с леглото на родителите, като се използва системата за закрепване.
27. Системата за закрепване е предоставена с крeватчето. Не използвайте друга система за закрепване!
28. Никога не трябва да има пролука между долната страна на крeватчето, свързано с леглото на родителите, и матрака на леглото на родителите.
29. Проверявайте системата за закрепване преди всяка употреба!
30. Проверете затегнатостта на системата за закрепване преди всяка употреба, като издърпате крeватчето, свързано с леглото на родителите в посока настрани от леглото на родителите.
31. Ако има някаква пролука между крeватчето, свързано с леглото на родителите и леглото на родителите, НЕ използвайте продукта.
32. Пролуките не трябва да се запълват с възглавници, одеяла или други предмети. Това може да причини риск от задушаване.
33. По време на употреба са уверете, че чаршафите, одеялата на родителите не влизат във вътрешността на детското крeватчe и не я покриват.

34. Продуктът трябва да се използва само след като е здраво прикрепен към леглото за възрастни или когато подвижната страница е заключена в най-горното си положение, за да се избегне риска от падане на детето.

35. ОПАСНОСТ! Когато креватчето, свързано с леглото на родителите, не е прикрепено към леглото на родителите, трябва всички негови страници да са поставени на мястото им и/или в най-високото им положение. Винаги напълно повдигайте подвижната страница, когато креватчето не е прикрепено към леглото на родителите.

36. ВНИМАНИЕ! За да се избегне опасност от захващане на врата на детето в горната царга на страницата, която е до леглото за възрастен, горната царга не трябва да е по-висока от матрака на леглото за възрастен (Снимка 28)

37. ВНИМАНИЕ! За да се избегне рискът вашето дете да бъде удушено, системата за закрепване към леглото на възрастния трябва винаги да се държи далеч от детското легло.

38. Матракът на леглото на родителите трябва да бъде подравнен към или над височината на подвижната страница в най-ниското положение.

39. Матракът на родителското легло трябва винаги да е по-високо от страницата на кошарата. Ако не е, използвайте регулиращата система за да се уверите, че височината е коректна и от двете страни.

40. Преди всяка употреба проверявайте дали няма разстояние между матрака на родителското легло и стената на детското креватче. Издърпайте и затегнете закрепващата система, докато разрешеното разстояние се възстанови.

41. Използвайте креватчето със спусната страна само във функция „Фиксиране към родителското легло“!

42. ВНИМАНИЕ! Дръжте далече от огън!

43. Спецификациите, цветовете и съдържанието могат да се различават от показаните на снимките!

БДС EN 1130:2019 + АС:2020; БДС EN 16890:2017+A1:2021

ГРИЖА И ПОДДРЪЖКА

ВНИМАНИЕ! Ако използвате детското креватче навън, почистете полепналия по краката прах, както и по останалите елементи, тъй като попаднал в механизма на ключалките, може да причини сериозна повреда. В някои климатични условия, частите могат да бъдат засегнати от мухъл и плесен. За да предотвратите това, не сгъвайте и не съхранявайте продукта, ако е влажен или мокър. Винаги съхранявайте продукта на добре проветриво място. Винаги проверявайте редовно частите за разхлабени винтове, гайки и други крепежни елементи, при необходимост ги затегнете.

Почистване. При нужда използвайте мек сапун и топла вода. Прането на чантата може да извършите ръчно в топла вода, без да я гладите. Не използвайте белина. За пране на тъканите внимателно спазвайте указанията, посочени на етикета. За почистване не използвайте разтворители, абразивни продукти или агресивни продукти. За почистването на матрака, внимателно спазвайте указанията, посочени на етикета. Този матрак може да не абсорбира повърнатото от детето. Използването на протектор за матрак е от съществено значение.

ВНИМАНИЕ! Не поставяйте обемисти предмети в детското креватче, които могат да помогнат на детето да се прехвърли над преградните мрежи. Не поставяйте детското креватче до отоплителни уреди, тъй като това може да повреди пластмасовите и текстилни части.

ВНИМАНИЕ! За правилната експлоатация и съхранение на Вашето детското креватче, внимателно прочетете настоящата инструкция и точно я спазвайте!

Използвани материали: Пластмаса, текстил, метал, МДФ

ЧАСТИ

Снимка 1

- | | |
|---|---------|
| 1. Матрак | - 1 бр. |
| 2. Горна рамка | - 1 бр. |
| 3. Бутон за регулиране на височината | - 2 бр. |
| 4. Главна алуминиева рама | - 1 бр. |
| 5. Долни напречни и надлъжни опорни тръби | - 4 бр. |

- | | |
|---------------------------------|---------|
| 6. Подвижна страница | - 1 бр. |
| 7. Основен опорен профил | - 1 бр. |
| 8. Тапицерия | - 1бр. |
| 9. Колела | - 4 бр. |
| 10. Кош за аксесоари (багажник) | - 1 бр. |
| 11. Комарник | - 1 бр. |
| 12. Обезопасителен колан | -1 бр. |
| 13. Чанта за носене | -1 бр. |

МОНТИРАНЕ НА ДЕТСКОТО КРЕВАТЧЕ

1. Извадете детското креватче от чантата.

2. Разгънете рамата на креватчето след като повдигнете и завъртите краката навън, така че при изправена позиция на краката маркерите за ниво да бъдат от външната страна (Снимка 2).

3. Прекарайте надлъжни и напречни тръби в отворите на тапицерията на коша за аксесоари (Снимка 3)

Внимание! Ориентируйте щифтовете на тръбите така, че да сочат към определените за монтаж отвори. Монтирайте долните надлъжни и напречни тръби на багажника докато щифта се покаже през пластмасовите отвори на краката (Снимка 4,5,6).

4. Премахнете пластмасовите предпазители от двете страни на основният опорен профил закрепен към тапицерията (Снимка 7). Монтирайте тапицерията върху горните тръби на креватчето след което я закопчайте с ципа. Сглобете основният опорен профил към страничните отвори на двата крака и се уверете, че щифта е монтиран правилно и здраво закрепен към крака (Снимка 8,9). **Внимание!** За демонтиране на опорения профил на натиснете бутоните разположени от долната страна на краката.
5. Прекарайте свободната тръба, която е част от горната рамка през отвора на падащата страница на тапицерията (ако е монитрана, натиснете бутоните отдолу и я освободете). Поставете свободните крайща на тръбата към рамката на креватчето така, че бутоните за отключване да са насочени надолу (Снимка 10), след което закопчайте циповете на преградата от двете страни на мрежата (Снимка 11,12).
6. За сваляне на подвижната страница, спазвайте следната последователност:
 - откопчайте циповете от двете страни (Снимка 11).
 - натиснете бутоните отдолу в крайщата на тръбата за да я освободите (Снимка 13,14) и я закачете към страничните презрамки (Снимка 15,16).
7. Повдигнете краката на креватчето и монтирайте осите на колелцата в отворите докато се чуе „Щрак“ (Снимка 17,18). За сваляне на колелото, натиснете бутона намиращ се от вътрешната страна на крака навътре и издърпайте колелото надолу (Снимка 19). За активиране спирачката на колелото натиснете лостчето надолу (Снимка 20), а за освобождаване нагоре (Снимка 21).
8. Монтирайте комарника върху горната рамка на коша (Снимка 22).

ЕКСПЛОАТАЦИЯ

1. **Регулиране на височината.** Височината може да се регулира в 7 позиции чрез двата бутона намиращи се от страни на рамката (Снимка 23). Регулирайте до желаната степен, след което затегнете блокиращите винтове на бутоните с отвертка (не е включена в комплекта), за да осигурите максимална стабилност (Снимка 24).
 2. **Антирефлуксна функция (против задавяне на детето)** - детското креватче може да бъде наклонено с разлика максимум 2 позиции на височина между краката от двете страни (Снимка 25). **ВНИМАНИЕ!** Главата на детето трябва винаги да е позиционирана към по-високата страна! **ВНИМАНИЕ!** Антирефлуксната функция може да се използва само и единствено когато използвате детското креватче като самостоятелно легло. Тази функция **НЕ** може да се използвате когато детското креватче е фиксирано към леглото за възрастни!
 3. **Фиксиране на креватчето към леглото за възрастни в следната последователност:**
 - свалете подвижната страница;
 - обхванете с обезопасителния колан матрака на леглото за възрастни;
 - закрепете двата края на колана към дъното на детското креватче (1) (Снимка 26), след което закрепете захващащата кука към страната на леглото (2)(Снимка 26). Издърпайте колана за да регулирате дължината му (3)(Снимка 26).
- ВНИМАНИЕ!** Поради риск от падане, **НЕ** трябва да има празнина между долната страна на продукта и матрака на леглото за възрастни!!! (Снимка 27)
- ВНИМАНИЕ!** Поради риск от задушаване, регулирайте височината на детското креватче така, че ръба на матрака на леглото за възрастни да бъде над ръба на свалящата се страница на детското креватче. Не използвайте детското креватче, ако височината на родителското легло е по-малко от 50см или повече от 80см над пода (Снимка 28).

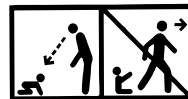
ДЕМОНТИРАНЕ НА ДЕТСКОТО КРЕВАТЧЕ

1. Разкачете коланите монтирани към леглото за възрастни.
2. Демонтирайте колелата на креватчето (Снимка 19).
3. Премахнете комарника и матрака от детското легло.
4. Свалете подвижната страницата и извадете свободната тръбата (Снимка 14).
5. Разкопчайте ципа по дължина на детското креватче разположен на горната рамка.
6. Демонтирате основният опорен профил.
7. Свалете тапицерията от горната рама на креватчето.
8. Демонтирайте надлъжни и напречни тръби на багажника.
9. Свийте двата крака един към друг за да сгънете детското креватче.
10. Поставете в чантата.

ΠΡΟΣΟΧΗ! ΔΙΑΒΑΣΤΕ ΠΡΟΣΕΚΤΙΚΑ ΚΑΙ ΚΡΑΤΗΣΤΕ ΓΙΑ ΜΕΛΛΟΝΤΙΚΗ ΧΡΗΣΗ!

GR

ΠΡΟΣΟΧΗ



- 1. ΠΡΟΣΟΧΗ! ΠΟΤΕ ΜΗΝ ΑΦΗΝΕΤΕ ΤΟ ΠΑΙΔΙ ΧΩΡΙΣ ΕΠΙΒΛΕΨΗ!**
- 2. ΠΡΟΣΟΧΗ!** Μην χρησιμοποιείτε αυτό το προϊόν εάν δεν έχετε διαβάσει τις οδηγίες χρήσης!
- 3. ΠΡΟΣΟΧΗ!** Σταματήστε να χρησιμοποιείτε το παιδικό κρεβάτι αμέσως μόλις το παιδί αρχίσει να κάθεται χωρίς την βοήθεια άλλου ατόμου, να σηκώνεται όρθιο μόνο του ή να σηκώνεται στα χέρια και στα γόνατά του.
- 4. ΠΡΟΣΟΧΗ!** Η προσθήκη συμπληρωματικών αντικειμένων στο προϊόν μπορεί να προκαλέσει πνιγμό.
- 5. ΠΡΟΣΟΧΗ! ΜΗΝ ΤΟΠΟΘΕΤΕΙΤΕ ΣΤΟ ΠΑΙΔΙΚΟ ΚΡΕΒΑΤΑΚΙ ΣΥΜΠΛΗΡΩΜΑΤΙΚΑ ΑΝΤΙΚΕΙΜΕΝΑ (Π.Χ. ΠΑΙΧΝΙΔΙΑ, ΜΑΞΙΛΑΡΙΑ Κ.Α.)**
- 6. ΠΡΟΣΟΧΗ!** Μην τοποθετείτε το προϊόν κοντά σε άλλο προϊόν, το οποίο μπορεί να αποτελέσει κίνδυνο πνιγμού και στραγγαλισματος, π.χ. λουριά, κορδόνια για στόρια / κουρτίνες κ.α.
- 7. ΠΡΟΣΟΧΗ!** Μην χρησιμοποιείτε περισσότερο από ένα στρώμα στο προϊόν.
- 8. ΠΡΟΣΟΧΗ!** Προσέχετε τον κίνδυνο από ανοιχτή φλόγα και άλλες πηγές έντονης θερμότητας, όπως ηλεκτρικά καλοριφέρ, σόμπες αερίου κ.α., τα οποία είναι τοποθετημένα σε άμεση εγγύτητα με το παιδικό κρεβάτι (παρκοκρέβατο ή λίκνο).

ΑΠΑΙΤΗΣΕΙΣ ΑΣΦΑΛΕΙΑΣ

- 1. ΠΡΟΣΟΧΗ!** Πριν την χρήση του προϊόντος για πρώτη φορά, αφαιρέστε όλα τα διαφημιστικά υλικά από το προϊόν, καθώς επίσης τα υλικά για την στήριξή τους στο προϊόν. Κάθε πλαστική συσκευασία πρέπει να αφαιρεθεί, καταστραφεί ή να κρατιέται μακριά από παιδιά, προκειμένου να αποφευχθεί ο κίνδυνος πνιγμού.
- 2.** Πρέπει να τοποθετήσετε το προϊόν σε ίσιο πάτωμα.
- 3.** Μην αφήνετε τα μικρά παιδιά να παίζουν χωρίς επίβλεψη κοντά στο προϊόν.
- 4.** Το παιδικό κρεβάτακι πρέπει να είναι ασφαλισμένο σε σταθερή θέση όταν το παιδί είναι χωρίς επίβλεψη εντός αυτού.
- 5.** Όλα τα εξαρτήματα στήριξης πρέπει πάντα να είναι σφιγμένα γερά και πρέπει να δίδεται προσοχή να μην υπάρχουν χαλαρές βίδες ή στοιχεία ένωσης, όπου το παιδί μπορεί να ακουμπήσει μέρη του σώματός του ή των ρούχων του (π.χ. λουριά, κορδέλες, αλυσίδες για μπιμπερό-πιπίλες), το οποίο μπορεί να προκαλέσει κίνδυνο πνιγμού. Πραγματοποιείτε ελέγχους ρουτίνας για να βεβαιωθείτε, ότι δεν υπάρχουν χαλαρά μέρη, μέρη με βλάβες ή μέρη που λείπουν.
- 6.** Το μέγιστο πάχος του στρώματος είναι 3 εκ. Οι πληροφορίες για το μέγιστο πάχος του στρώματος αναφέρονται στην σήμανση του προϊόντος, καθώς επίσης στο ίδιο στρώμα.
- 7.** Οι μέγιστες εσωτερικές διαστάσεις του κρεβατιού, για το οποίο προορίζεται το στρώμα είναι 84/51 εκατοστά.
- 8.** Μην χρησιμοποιείτε το παιδικό κρεβάτακι, εάν το ύψος του κρεβατιού γονέα είναι μικρότερο από 50 εκ. ή περισσότερο από 80 εκ, πάνω από το πάτωμα (Φωτογραφία 28).
- 9.** Μην χρησιμοποιείτε στρώμα για παιδικό κρεβάτακι, το οποίο διαφέρει από το στρώμα, που παραχωρήθηκε με το προϊόν και εγκρίθηκε από τον κατασκευαστή.
- 10.** Σε περίπτωση που χρησιμοποιείτε στρώμα, το οποίο διαφέρει από το στρώμα που παραχωρήθηκε από τον κατασκευαστή, βεβαιωθείτε, ότι είναι με το σωστό πάχος και ότι είναι κατάλληλο για το προϊόν. Το πάχος του στρώματος πρέπει να είναι τέτοιο, που το εσωτερικό ύψος (από την πάνω επιφάνεια του στρώματος μέχρι την άνω γωνία των πλαϊνών του κρεβατιού) να είναι τουλάχιστον 200 χιλ.
- 11.** Σε περίπτωση που χρησιμοποιείτε στρώμα, το οποίο διαφέρει από το στρώμα που παραχωρήθηκε από τον κατασκευαστή, το μήκος και το πλάτος πρέπει να είναι τέτοια, που η μέγιστη απόσταση μεταξύ του στρώματος και των πλαϊνών και των άκρων του κρεβατιού να μην υπερβαίνει 30 χιλ.

12. Είναι πιθανή η ελάχιστη κλίση της βάσης του παιδικού κρεβατιού, μέσω ρύθμισης των δύο ποδιών σε διαφορετικά ύψη (Φωτογραφία 25). Η κλίση του παιδικού κρεβατιού επιτρέπεται με μέγιστη διαφορά στο ύψος μεταξύ των δύο ποδιών ανερχόμενη σε 2 θέσεις. **ΠΡΟΣΟΧΗ.** Το κεφάλι του παιδιού πρέπει πάντα να είναι τοποθετημένο από την υψηλότερη πλευρά.

13. **ΠΡΟΣΟΧΗ! ΜΗΝ** χρησιμοποιείτε το παιδικό κρεβάτι εάν κάποιο μέρος λείπει ή έχει υποστεί βλάβη ή έχει σπάσει. Επικοινωνήστε με την **ΝΤΙΝΤΙΣ ΕΠΕ** για ανταλλακτικά και οδηγίες εάν είναι απαραίτητο. **ΜΗΝ** προβαίνετε σε αντικατάσταση μερών!

14. Το προϊόν είναι έτοιμο προς χρήση μόνο όταν οι μηχανισμοί ασφαλείας είναι ενεργοποιημένοι. Βεβαιωθείτε, ότι σταθεροποιήθηκαν καλά πριν την χρήση!

15. Όταν το παιδί είναι χωρίς επίβλεψη στο προϊόν σε διαμόρφωση «κρεβάτι», βεβαιωθείτε, ότι το πλαινό μέρος που πέφτει είναι πάντα σηκωμένο και ότι τα φερμουάρ είναι εντελώς κλειστά!

16. Μην χρησιμοποιείτε το παιδικό κρεβάτι χωρίς το πλαίσιο!

17. Η συναρμολόγηση, το άνοιγμα και το κλείσιμο του προϊόντος να πραγματοποιείται μόνο από ενήλικο άτομο!

18. Μην χρησιμοποιείτε το προϊόν για περισσότερα από ένα παιδί ταυτόχρονα.

19. Διατηρήστε το προϊόν σε μέρος μακριά από παιδιά όταν δεν χρησιμοποιείται.

25. Βεβαιωθείτε, ότι τα πόδια του παιδικού κρεβατιού είναι εντελώς ανοιχτά, όταν χρησιμοποιείτε ως αυτόνομο κρεβάτι.

20. **ΜΗΝ** χρησιμοποιείτε το κρεβάτι ενωμένο με το κρεβάτι των γονέων εάν κάποιο μέρος λείπει ή έχει υποστεί βλάβη ή είναι σπασμένο. Επικοινωνήστε με την **ΝΤΙΝΤΙΣ ΕΠΕ** για ανταλλακτικά και οδηγίες εάν είναι απαραίτητο. **ΜΗΝ** προβαίνετε σε αντικατάσταση μερών!

21. Η χρήση του προϊόντος επιτρέπεται μόνο με κρεβάτι και/ή στρώμα με ίσιες πλευρές!

Η χρήση του προϊόντος με στρώγγυλα κρεβάτια και/ή στρώμα ή κρεβάτια νερού ή φουσκωτά στρώματα κ.α. **ΔΕΝ ΕΠΙΤΡΕΠΕΤΑΙ.**

22. Όταν το προϊόν χρησιμοποιείται σε λειτουργία «Σταθεροποίηση προς το κρεβάτι των γονέων», το ίδιο πάντα πρέπει να συναρμολογείται στην μακριά πλευρά πρόσβασης του κρεβατιού. **ΜΗΝ** σταθεροποιείτε το προϊόν από την πλευρά του κεφαλιού ή στο κάτω μέρος του κρεβατιού!

23. Μην χρησιμοποιείτε το παιδικό κρεβάτι με κρεβάτια με ντουλάπια, η βάση των οποίων που προορίζεται για κρεβάτι υπερβαίνει το στρώμα με 8 εκ. Φωτογραφία 26.

24. **ΣΗΜΑΝΤΙΚΟ ΓΙΑ ΤΗΝ ΑΣΦΑΛΕΙΑ ΤΟΥ ΠΑΙΔΙΟΥ ΣΑΣ!** Η λειτουργία «Σταθεροποίηση προς το κρεβάτι των γονέων» είναι εφικτή **ΜΟΝΟ** με τον τύπο κρεβατιών που ανταποκρίνονται σε όλους τους όρους που προαναφέρθηκαν στην παρούσα παράγραφο. Ειδικότερα, η πλαϊνή στήριξη του παιδικού κρεβατιού πρέπει πάντα να τοποθετείται κοντά στο στρώμα του γονέα, ενώ το στρώμα πρέπει να είναι πάντα ίσιο με το ύψος της πλαϊνής στήριξης με σκοπό τον περιορισμό του λίκνου (Φωτογραφία 27) Εκτός από αυτό, το παιδικό κρεβάτι πρέπει να στηριχθεί γερά στην κατασκευή του κρεβατιού των γονέων ή στην στήριξη για στρώμα (βάση ή πλαίσιο στρώματος).

25. Τα κρεβατάκια, τα οποία συνδέονται με το κρεβάτι των γονέων, ποτέ δεν πρέπει να χρησιμοποιούνται σε θέση με κλίση. Όταν χρησιμοποιείται αυτή η λειτουργία, τα δύο πόδια πρέπει πάντα να ρυθμίζονται στο ίδιο ύψος!

26. Όταν χρησιμοποιείτε τη λειτουργία του προϊόντος «Σταθεροποίηση προς το κρεβάτι των γονέων» για να αποφευχθεί ο κίνδυνος πνιγμού σε περίπτωση περισφιξης, το κρεβάτι, συνδεδεμένο με το κρεβάτι των γονέων πρέπει να στηριχθεί σωστά προς το κρεβάτι των γονέων, όπως πρέπει να χρησιμοποιηθεί το σύστημα στήριξης.

27. Το σύστημα στήριξης παραχωρείται μαζί με το κρεβάτι. Μην χρησιμοποιείτε άλλο σύστημα στήριξης. .

28. Ποτέ δεν πρέπει να υπάρχει κενό μεταξύ του κάτω μέρους του κρεβατιού, που είναι συνδεδεμένο με το κρεβάτι των γονέων και του στρώματος του κρεβατιού των γονέων.

29. Πάντα ελέγχετε το σύστημα στήριξης πριν από κάθε χρήση!

30. Ελέγξτε κατά πόσο είναι σφιχτό το σύστημα στήριξης πριν από κάθε χρήση, τραβώντας το κρεβάτι, το οποίο είναι συνδεδεμένο με το κρεβάτι των γονέων, σε κατεύθυνση μακριά από το κρεβάτι των γονέων.

31. Εάν υπάρχει κάποιο κενό μεταξύ του κρεβατιού, που είναι συνδεδεμένο με το κρεβάτι των γονέων και του κρεβατιού των γονέων, **ΜΗΝ** χρησιμοποιείτε το προϊόν.

32. Τα κενά δεν πρέπει να συμπληρώνονται με μαξιλάρια, κουβέρτες ή με άλλα αντικείμενα. Αυτό μπορεί να προκαλέσει κίνδυνο πνιγμού.

33. Κατά την διάρκεια της χρήσης βεβαιωθείτε, ότι τα σεντόνια και οι κουβέρτες για τους γονείς δεν εισέρχονται και δεν καλύπτουν το εσωτερικό του παιδικού κρεβατιού.

34. Το προϊόν πρέπει να χρησιμοποιείται μόνο εφόσον έχει στηριχθεί γερά στο κρεβάτι για ενήλικο άτομο ή όταν το κινούμενο παιδί μέρος έχει ασφαλιστεί στην πιο πάνω θέση του για να αποφευχθεί ο κίνδυνος από πέσιμο του παιδιού.

35. **ΚΙΝΔΥΝΟΣ!** – Όταν το κρεβατάκι, το οποίο είναι συνδεδεμένο με το κρεβάτι των γονέων, δεν έχει στηριχθεί στο κρεβάτι των γονέων, όλα τα πλαινά του πρέπει να είναι τοποθετημένα στις θέσεις τους και/ή στην πιο υψηλή θέση.

Πάντα σηκώνετε εντελώς το κινούμενο πλαινό, όταν το κρεβατάκι δεν έχει στηριχθεί στο κρεβάτι των γονέων.

36. **ΠΡΟΣΟΧΗ** - Να αποφεύγονται κίνδυνοι όπως κρέμασμα του λαιμού του παιδιού στην πάνω ράγα από τη μεριά του πλαινού, που είναι δίπλα στο κρεβάτι των γονέων. Η πάνω ράγα δεν πρέπει να είναι υψηλότερη από το στρώμα των γονέων (Φωτογραφία 28).

37. **ΠΡΟΣΟΧΗ** - Για να αποφευχθεί ο κίνδυνος πνιγμού του παιδιού σας, το σύστημα στήριξης στο κρεβάτι των γονέων πρέπει να πάντα να διατηρείται μακριά από το παιδικό κρεβατάκι και εκτός του κρεβατιού.

38. Το στρώμα του κρεβατιού των γονέων πρέπει να είναι ίσιο ή πάνω από το ύψος του κινούμενου πλαινού στην χαμηλότερη θέση.

39. Το στρώμα του κρεβατιού των γονέων πρέπει να είναι πάντα υψηλότερο από το πλαινό του λίκνου. Σε περίπτωση που δεν είναι, χρησιμοποιήστε σύστημα ρύθμισης, για να βεβαιωθείτε, ότι το ύψος είναι σωστό από τις δύο πλευρές.

40. Πριν από κάθε χρήση πάντα ελέγχετε εάν υπάρχει κενό μεταξύ του στρώματος του κρεβατιού των γονέων και του τοιχώματος του παιδικού κρεβατιού. Τραβήξτε και σφίξτε το σύστημα στήριξης, μέχρι την αποκατάσταση του επιτρεπόμενου κενού.

41. Χρησιμοποιήστε το κρεβατάκι με κατεβασμένη πλευρά μόνο με τη λειτουργία «Σταθεροποίηση στο κρεβάτι των γονέων»

42. **ΠΡΟΣΟΧΗ!** Κρατήστε μακριά από φλόγα.

43. Οι προδιαγραφές, τα χρώματα και το περιεχόμενο μπορούν να διαφέρουν απ' αυτά που απεικονίζονται στις φωτογραφίες!

EN 1130:2019 + AC:2020; EN 16890:2017+A1:2021

ΜΕΡΗ

Εικόνα 1

1. Στρώμα	- 1 τεμ.	6. Αφαιρούμενο πλαινό στοιχείο	- 1 τεμ.
2. Πάνω πλαίσιο	- 1 τεμ.	7. Βασικό προφίλ στήριξης	- 1 τεμ.
3. Κουμπί ρύθμισης του ύψους	- 2 τεμ.	8. Ταπεταρία	- 1 τεμ.
4. Γενικό πλαίσιο αλουμινίου	- 1 τεμ.	9. Ρόδες	- 4 τεμ.
5. Κάτω εγκάρσιο και επιμήκεις σωλήνες στήριξης	- 4 τεμ.	10. Καλάθι εξαρτημάτων (αποθηκευτικός χώρος)	- 1 τεμ.
		11. Κουνουπιέρα	- 1 τεμ.
		12. Ζώνη ασφαλείας	- 1 τεμ.
		13. Σάκος μεταφοράς	- 1 τεμ.

ΦΡΟΝΤΙΔΑ ΚΑΙ ΣΥΝΤΗΡΗΣΗ

ΠΡΟΕΙΔΟΠΟΪΣΗ! Αν χρησιμοποιείται το παρκοκρέβατο έξω, καθαρίστε τον άμμο που είναι στα πόδια του παρκοκρέβατου, καθαρίστε και άλλα τα μέρη του γιατί αν υπάρχει άμμος στο μηχανισμό μπορεί να προκαλέσει σοβαρές βλαβές. Σε μερικές κλιματολογικές συνθήκες, τα μέρη μπορεί να επηρεαστούν από μούχλα και υίδιο. Για να αποφευχθεί αυτό, μην αναδιπλώσετε ή αποθηκεύσετε το προϊόν εάν είναι υγρό. Να αποθηκεύετε πάντα το προϊόν σε καλά αεριζόμενο χώρο. Ελέγχετε πάντα τα εξαρτήματα για χαλαρές βίδες, παξιμάδια και άλλους συνδετήρες τακτικά και σφίξτε εάν είναι απαραίτητο.

Καθαρισμός. Για να καθαρίσετε το παρκοκρέβατο χρησιμοποιήστε μαλακό σαπούνι και ζεστό νερό. Μπορείτε να πλένετε την τσάντα στα χέρια με ζεστό νερό, χωρίς να τη σιδερώνετε. Μην χρησιμοποιείτε χλωρίνη. Για το πλύσιμο των υφασμάτων, ακολουθήστε προσεκτικά τις οδηγίες στην ετικέτα. Μην χρησιμοποιείτε διαλύτες, λιπαντικά ή καθαριστικά προϊόντα για καθαρισμό.

ΠΡΟΕΙΔΟΠΟΪΣΗ! Μην αφήνετε τίποτα στο παρκοκρέβατο ή μην τοποθετείτε το παρκοκρέβατο κοντά σε άλλα προϊόντα τα οποία θα μπορούσαν να λειτουργήσουν ως στήριγμα για το παιδί να βγει έξω. Μην τοποθετείτε το παρκοκρέβατο κοντά σε πηγές δυνατής θέρμανσης γιατί μπορούν να βλάψουν τα πλαστικά και υφαντουργικά μέρη.

ΠΡΟΕΙΔΟΠΟΪΣΗ! Για τη σωστή χρήση και συντήρηση του παρκοκρέβατου σας, διαβάστε προσεκτικά και ακολουθήστε τις οδηγίες αυτές!

Υλικά που χρησιμοποιούνται: Πλαστικά, ύφασμα, μέταλλο, MDF

ΣΥΝΑΡΜΟΛΟΓΗΣΗ ΤΟΥ ΠΑΙΔΙΚΟΥ ΚΡΕΒΑΤΙΟΥ

1. Βγάλτε το παιδικό κρεβάτι από την σακούλα.

2. Ανοίξτε το πλαίσιο του κρεβατιού αφού σηκώσετε και γυρίσετε τα πόδια προς τα έξω, έτσι ώστε σε όρθια θέση των ποδιών, οι σημάνσεις για το επίπεδο να είναι από **29** την εξωτερική πλευρά (Φωτογραφία 2).

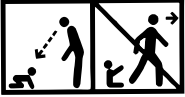
3. Περάστε τους επιμήκεις και τους εγκάρσιους σωλήνες στις οπές της ταπεταρίας του καλαθιού εξαρτημάτων (Φωτογραφία 3). Προσοχή! Προσανατολίστε τα πυράκια των σωλήνων με τρόπο, που να δείχνουν προς τις οπές που προορίζονται για συναρμολόγηση. Συναρμολογήστε τους κάτω επιμήκεις και εγκάρσιους σωλήνες μέχρι τα πυράκια να βγουν από τις πλαστικές οπές των ποδιών (Φωτογραφία 4, 5, 6).
4. Αφαιρέστε τα πλαστικά προστατευτικά από τις δύο πλευρές του βασικού προφίλ στήριξης που στηρίχθηκε στην ταπεταρία (Φωτογραφία 7). Συναρμολογήστε την ταπεταρία στους πάνω σωλήνες του κρεβατιού μετά το οποίο κοιμηθείτε με το φερμουάρ. Συναρμολογήστε το βασικό προφίλ στήριξης στις πλαϊνές οπές των δύο ποδιών και βεβαιωθείτε, ότι το πειράκι συναρμολογήθηκε σωστά και γερά στο πόδι (Φωτογραφία 8, 9). Προσοχή! Για να αποσυναρμολογήσετε το προφίλ στήριξης πατήστε τα κουμπιά, τα οποία είναι τοποθετημένα από την κάτω πλευρά των ποδιών.
5. Περάστε τον ελεύθερο σωλήνα, ο οποίος είναι μέρος του πάνω πλαίσιο από την οπή του πλαϊνού πτυσσόμενου στοιχείου της ταπεταρίας (σε περίπτωση που συναρμολογήθηκε πατήστε τα κουμπιά κάτω και απελευθερώστε). Τοποθετήστε τις ελεύθερες άκρες του σωλήνα στο πλαίσιο του κρεβατιού, έτσι ώστε τα κουμπιά απασφάλισης να δείχνουν προς τα κάτω (Φωτογραφία 10), μετά το οποίο κοιμηθείτε τα φερμουάρ του χωρισματος από τις δύο πλευρές του δικτύου (Φωτογραφία 11, 12).
6. Για να αφαιρέσετε το αφαιρούμενο πλαϊνό στοιχείο, ακολουθήστε την ακόλουθη σειρά:
 - ξεκουμπώστε τα φερμουάρ από τις δύο πλευρές (Φωτογραφία 11).
 - πατήστε τα κουμπιά κάτω στις άκρες του σωλήνα για να τον απελευθερώσετε (Φωτογραφίες 13, 14) και κοιμηθείτε στις πλαϊνές τράντες (Φωτογραφία 15, 16).
7. Σηκώστε τα πόδια του κρεβατιού και συναρμολογήστε τους άξονες των ροδών στις οπές μέχρι να ακουστεί ήχος «Κλικ» (Φωτογραφία 17, 18). Για να αφαιρέσετε την ρόδα, πατήστε το κουμπί που βρίσκεται από την εσωτερική πλευρά του ποδιού προς τα μέσα και τραβήξτε την ρόδα προς τα κάτω (Φωτογραφία 19). Για να ενεργοποιήσετε τα φρένα της ρόδας πατήστε το μοχλό προς τα κάτω (Φωτογραφία 20), ενώ για να απελευθερώσετε προς τα επάνω (Φωτογραφία 21).
8. Συναρμολόγηση της κουνουπιέρας στο πάνω πλαίσιο του καλαθιού (Φωτογραφία 22).

ΕΚΜΕΤΑΛΛΕΥΣΗ

1. Ρύθμιση του ύψους. Το ύψος μπορεί να ρυθμιστεί σε 7 θέσεις μέσω των δύο κουμπιών που βρίσκονται πλάγια του πλαισίου (Φωτογραφία 23). Ρυθμίστε μέχρι τον επιθυμητό βαθμό, μετά το οποίο σφίξτε τις βίδες ασφαλείας των κουμπιών με το κατσαβίδι (δεν συμπεριλαμβάνεται στο σετ), για να εξασφαλίσετε μέγιστη σταθερότητα (Φωτογραφία 24).
2. Λειτουργία κατά της παλινδρόμησης (κατά πνιγμού του παιδιού) - Το παιδικό κρεβάτι μπορεί να γυρίσει με μέγιστη διαφορά των 2 θέσεων του ύψους μεταξύ των ποδιών από τις δύο πλευρές (Φωτογραφία 25). **ΠΡΟΣΟΧΗ!** Το κεφάλι του παιδιού πρέπει πάντα να είναι τοποθετημένο στην υψηλότερη πλευρά. **ΠΡΟΣΟΧΗ!** Η λειτουργία κατά της παλινδρόμησης μπορεί να χρησιμοποιηθεί μόνο και μοναδικά όταν χρησιμοποιείτε το παιδικό κρεβάτι σαν αυτόνομο κρεβάτι. Αυτή η λειτουργία ΔΕΝ μπορεί να χρησιμοποιηθεί όταν το παιδικό κρεβάτι είναι σταθεροποιημένο στο κρεβάτι ενηλίκων.
3. Στερέωση του κρεβατιού στο κρεβάτι γονέων με την ακόλουθη σειρά:
 - αφαιρέστε το αφαιρούμενο πλαϊνό στοιχείο
 - τυλίξτε με την ζώνη ασφαλείας το στρώμα του κρεβατιού ενηλίκων,
 - στηρίξτε τις δύο άκρες της ζώνης στο κάτω μέρος του παιδικού κρεβατιού (1) (Φωτογραφία 26), μετά το οποίο στηρίξτε τον γάντζο στήριξης στην πλευρά του κρεβατιού (2) (Φωτογραφία 26). Τραβήξτε την ζώνη για να ρυθμίσετε το μήκος της (3) (Φωτογραφία 26).
- ΠΡΟΣΟΧΗ!** Λόγω κινδύνου από πτώση, ΔΕΝ πρέπει να υπάρχει κενό μεταξύ του κάτω μέρους του προϊόντος και του στρώματος του κρεβατιού ενηλίκων (Φωτογραφία 27).
- ΠΡΟΣΟΧΗ!** Λόγω κινδύνου από πνιγμό, ρυθμίστε το ύψος του παιδικού κρεβατιού έτσι ώστε η γωνία του στρώματος του κρεβατιού ενηλίκων να είναι πάνω από την γωνία του αφαιρούμενου πλαϊνού στοιχείου του παιδικού κρεβατιού. Μην χρησιμοποιείτε το παιδικό κρεβάτι, εάν το ύψος του κρεβατιού γονέων είναι μικρότερο από 50 εκ. ή περισσότερο από 80 εκ. πάνω από το πάτωμα (Φωτογραφία 28).

ΑΠΟΣΥΝΑΡΜΟΛΟΓΗΣΗ ΤΟΥ ΠΑΙΔΙΚΟΥ ΚΡΕΒΑΤΙΟΥ

1. Ξεκουμπώστε τις ζώνες, οι οποίες συναρμολογήθηκαν στο κρεβάτι ενηλίκων.
2. Αποσυναρμολογήστε τις ρόδες του κρεβατιού (Φωτογραφία 19).
3. Αφαιρέστε την κουνουπιέρα και το στρώμα από το παιδικό κρεβάτι.
4. Αφαιρέστε το πλαϊνό αφαιρούμενο στοιχείο και βγάλτε τον ελεύθερο σωλήνα (Φωτογραφία 14).
5. Ξεκουμπώστε το φερμουάρ κατά το μήκος του παιδικού κρεβατιού, τοποθετημένο στο πάνω πλαίσιο.
6. Αποσυναρμολογήστε το βασικό προφίλ στήριξης.
7. Αφαιρέστε την ταπεταρία από το πάνω πλαίσιο του κρεβατιού.
8. Αποσυναρμολογήστε τους επιμήκεις και τους εγκάρσιους σωλήνες του αποθηκευτικού χώρου.
9. Κλείστε τα δύο πόδια το ένα προς το άλλο για να κλείσετε το παιδικό κρεβάτι.
10. Τοποθετήστε στον σάκο.



تنبيه

1. **تنبيه!** لا تترك الطفل دون مراقبة.
2. **تنبيه!** لا تستخدم المنتج دون قراءة دليل الاستخدام أولاً.
3. **تنبيه!** توقف عن استخدام السرير عند قدرة الطفل على الجلوس أو الوقوف أو الاستناد على اليدين والركبتين دون مساعدة.
4. **تنبيه!** وضع أشياء إضافية في المنتج قد يسبب الاختناق.
5. **تنبيه!** لا تضع أي أشياء إضافية في السرير (مثل الألعاب أو الوسائد).
6. **تنبيه!** لا تضع المنتج بالقرب من أي مصدر خطر، مثل الحبال أو الستائر.
7. **تنبيه!** لا تستخدم أكثر من مرتبة واحدة في المنتج.
8. **تنبيه!** تجنب مصادر النار أو الحرارة العالية بجانب السرير.

متطلبات السلامة

1. **تنبيه!** قم بإزالة جميع المواد الدعائية وأي تغليف بلاستيكي قبل الاستخدام الأول.
2. ضع المنتج على سطح مستو.
3. لا تدع الأطفال الصغار يلعبون حول السرير دون مراقبة.
4. تأكد من قفل السرير في وضع ثابت عندما يكون الطفل فيه.
5. تأكد من إحكام تثبيت جميع المسامير بانتظام.
6. أقصى سمك للمرتبة هو 3 سم.
7. الأبعاد الداخلية القصوى للسرير 51/84 سم.
8. لا تستخدم السرير إذا كان ارتفاع سرير الوالدين أقل من 50 سم أو أكثر من 80 سم عن الأرض.
9. استخدم المرتبة المقدمة مع المنتج فقط، والتي وافق عليها المصنع.
10. إذا استخدمت مرتبة أخرى، تأكد من أنها بالسمك المناسب.
11. يجب أن يكون سمك المرتبة بحيث يبقى ارتفاع السرير الداخلي 200 ملم على الأقل.
12. يمكن ميل السرير قليلاً مع وجود اختلاف بحد أقصى بين ارتفاع القدمين بمقدار درجتين، على أن يكون رأس الطفل على الجانب المرتفع.
13. **تنبيه!** لا تستخدم السرير إذا كانت هناك أجزاء مفقودة أو مكسورة.
14. تحقق من تثبيت آليات القفل بشكل جيد قبل الاستخدام.
15. عند ترك الطفل في وضع "السرير"، تأكد من رفع الجوانب وسحب السحاب بشكل كامل.
16. لا تستخدم السرير بدون الإطار.
17. يجب على شخص بالغ فقط القيام بتثبيت أو طي المنتج.
18. استخدم المنتج لطفل واحد فقط في كل مرة.
19. احفظ المنتج بعيداً عن متناول الأطفال عندما لا يكون قيد الاستخدام.
20. تأكد من فتح أرجل السرير بالكامل عند استخدامه كسرير مستقل.
21. **تنبيه!** لا تستخدم السرير المرتبط بسرير الوالدين إذا كانت هناك أجزاء مفقودة أو مكسورة.
22. يسمح باستخدام المنتج فقط مع الأسرة المستقيمة الجوانب. يمنع استخدامه مع الأسرة الدائرية أو المراتب الهوائية.
23. عند استخدام المنتج بجوار سرير الوالدين، يجب تثبيته على الجانب الطويل من السرير، وليس من جهة الرأس أو القدم.

24. مهم لسلامة طفلك! يجب أن يتطابق المنتج مع شروط الأمان لضمان التثبيت الآمن على جانب سرير الوالدين.
25. يجب ألا يستخدم السرير المتصل بسرير الوالدين في وضع مائل؛ تأكد من ضبط كلا القدمين على نفس الارتفاع.
26. تنبيه! عند استخدام وظيفة "التثبيت بجانب سرير الوالدين"، لتجنب خطر الاختناق بسبب الانحصار، يجب تثبيت سرير الطفل المرتبط بسرير الوالدين بشكل صحيح باستخدام نظام التثبيت المقدم.
27. تم توفير نظام التثبيت مع سرير الطفل. لا تستخدم نظام تثبيت آخر!
28. يجب ألا يكون هناك أي فجوة بين الجهة السفلية لسرير الطفل المرتبط بسرير الوالدين ومرتبة سرير الوالدين.
29. تحقق من نظام التثبيت قبل كل استخدام!
30. تحقق من إحكام نظام التثبيت قبل كل استخدام، من خلال سحب سرير الطفل المرتبط بسرير الوالدين بعيدًا عن سرير الوالدين.
31. إذا كانت هناك أي فجوة بين سرير الطفل المرتبط بسرير الوالدين وسرير الوالدين، فلا تستخدم المنتج.
32. يجب ألا يتم سد الفجوات بالوسائد أو البطانيات أو أي أشياء أخرى، حيث قد يؤدي ذلك إلى خطر الاختناق.
33. أثناء الاستخدام، تأكد من أن الشراشف وبطانيات الوالدين لا تدخل داخل سرير الطفل أو تغطيه.
34. يجب استخدام المنتج فقط بعد تثبيته بإحكام على سرير البالغين أو عندما تكون الجهة المتحركة مقفلة في أعلى وضعها لتجنب خطر سقوط الطفل.
35. خطر! عندما يكون سرير الطفل المرتبط بسرير الوالدين غير مثبت، يجب أن تكون جميع جوانبه في مكانها و/أو في أعلى وضع لها. ارفع الجهة المتحركة بالكامل عندما لا يكون سرير الطفل مثبتًا بسرير الوالدين.
36. تنبيه! لتجنب خطر انحصار رقبة الطفل في القضيب العلوي للجانب المجاور لسرير البالغين، يجب ألا يكون القضيب العلوي أعلى من مرتبة سرير البالغين (الصورة 28).
37. تنبيه! لتجنب خطر اختناق طفلك، يجب دائمًا إبقاء نظام التثبيت بسرير البالغين بعيدًا عن سرير الطفل.
38. يجب أن تكون مرتبة سرير الوالدين متماشية مع أو فوق ارتفاع الجهة المتحركة في أدنى وضع لها.
39. يجب أن تكون مرتبة سرير الوالدين دائمًا أعلى من جانب سرير الطفل. إذا لم يكن كذلك، استخدم نظام الضبط للتأكد من أن الارتفاع صحيح من كلا الجانبين.
40. قبل كل استخدام، تحقق من عدم وجود فراغ بين مرتبة سرير الوالدين وجدران سرير الطفل. اسحب وشد نظام التثبيت حتى يتم استعادة المسافة المسموح بها.
41. استخدم سرير الطفل مع الجهة المنخفضة فقط في وظيفة "التثبيت بجانب سرير الوالدين!"
42. تنبيه! ابعده عن النار!
43. قد تختلف المواصفات والألوان والمحتويات عن تلك المعروضة في الصور!

EN 1130:2019 + AC:2020; EN 16890:2017+A1:2021

العناية والصيانة

تنبيه! إذا كنت تستخدم سرير الطفل في الخارج، قم بتنظيف الغبار المتراكم على الأرجل وأجزاء أخرى، حيث إن دخوله في آلية الأقفال قد يسبب أضرارًا جسيمة. في بعض الظروف المناخية، يمكن أن تتأثر الأجزاء بالعفن والفطريات. لتجنب ذلك، لا تطو المنتج ولا تخزنه إذا كان رطبًا أو مبللًا. دائمًا قم بتخزين المنتج في مكان جيد التهوية. تحقق بانتظام من الأجزاء بحثًا عن مسامير، وصواميل، وعناصر تثبيت أخرى مرتخية، وإذا لزم الأمر، قم بشدها.

التنظيف: عند الحاجة، استخدم صابونًا لطيفًا وماء دافئ. يمكنك غسل الحقيبة يدويًا في ماء دافئ، دون كيها. لا تستخدم مبيضات. عند غسل الأقمشة، اتبع بعناية التعليمات الموجودة على الملصق. لا تستخدم المذيبات، أو المنتجات الكاشطة، أو المنتجات القاسية للتنظيف. عند تنظيف المرتبة، اتبع بعناية التعليمات الموجودة على الملصق. قد لا تمتص هذه المرتبة ما يتبقاه الطفل. استخدام واقي للمرتبة أمر ضروري.

تنبيه! لا تضع أشياء ضخمة في سرير الطفل، حيث يمكن أن تساعد الطفل على تجاوز الحواجز.
لا تضع سرير الطفل بجوار أجهزة التدفئة، حيث إن ذلك قد يتسبب في تلف الأجزاء البلاستيكية والنسجية.
تنبيه! من أجل التشغيل والتخزين الصحيحين لسرير طفلك، اقرأ هذه التعليمات بعناية والتزم بها بدقة!
المواد المستخدمة: بلاستيك، نسيج، معدن، MDF.

الأجزاء

1	مرتبة	1	قطعة 7.	ملف دعم رئيسي
2	إطار علوي	1	قطعة 8.	تنجيد
3	زر لضبط الارتفاع	2	قطعة 9.	عجلات
4	إطار رئيسي من الألمنيوم	1	قطعة 10.	سلة للإكسسوارات (رف)
5	أنابيب دعم عرضية وطولية سفلى	4	قطع 11.	شبكة ضد الحشرات
6	صفحة متحركة	1	قطعة 12.	حزام أمان
			13.	حقيبة حمل

تركيب سرير الأطفال

1. أخرج سرير الأطفال من الحقيبة.
2. قم بفرد إطار السرير بعد رفع الأرجل وتدويرها للخارج، بحيث تكون علامات المستوى من الخارج عند وضع الأرجل بشكل مستقيم (الصورة 2).
3. أدخل الأنابيب الطولية والعرضية في الفتحات الموجودة في تنجيد سلة الإكسسوارات (الصورة 3).
تنبيه! يجب توجيه دبابيس الأنابيب بحيث تشير إلى الفتحات المخصصة للتركيب. قم بتركيب الأنابيب الطولية والعرضية السفلية في الحامل حتى يظهر الدبوس من الفتحات البلاستيكية في الأرجل (الصورة 4، 5، 6).
4. قم بإزالة الحمايات البلاستيكية من كلا الجانبين من ملف الدعم الرئيسي المثبت على التنجيد (الصورة 7).
قم بتركيب التنجيد على الأنابيب العلوية للسرير ثم قم بإغلاقه بسحاب. اجمع ملف الدعم الرئيسي مع الفتحات الجانبية في الأرجل وتأكد من أن الدبوس مثبت بشكل صحيح ومثبت بقوة في الأرجل (الصورة 8، 9). **تنبيه!** لإزالة ملف الدعم، اضغط على الأزرار الموجودة في الجزء السفلي من الأرجل.
5. أدخل الأنبوب الحر الذي هو جزء من الإطار العلوي في الفتحة الموجودة في صفحة التنجيد القابلة للطي (إذا كانت مثبتة، اضغط على الأزرار من الأسفل وأطلقها). ضع النهايات الحرة للأنبوب نحو إطار السرير بحيث تكون الأزرار الخاصة بإلغاء القفل موجهة لأسفل (الصورة 10)، ثم أغلق السحاب على الحاجز من كلا الجانبين من الشبكة (الصورة 11، 12).
6. لإزالة الصفحة المتحركة، اتبع الخطوات التالية:
- افتح السحاب من الجانبين (الصورة 11).
- اضغط على الأزرار الموجودة في نهايات الأنبوب من الأسفل لتحريره (الصورة 13، 14) وقم بتعليقه على الأحزمة الجانبية (الصورة 15، 16).
7. ارفع أرجل السرير وقم بتركيب محاور العجلات في الفتحات حتى تسمع "نقطة" (الصورة 17، 18). لإزالة العجلة، اضغط على الزر الموجود في الجزء الداخلي من الساق لداخل الساق واسحب العجلة لأسفل (الصورة 19). لتفعيل فرامل العجلة، اضغط على ذراع الفرامل لأسفل (الصورة 20)، وإطلاقها، اضغط لأعلى (الصورة 21).
8. قم بتركيب الشبكة للحشرات على الإطار العلوي لسلة الإكسسوارات (الصورة 22).

الاستخدام

1. تعديل الارتفاع: يمكن تعديل الارتفاع في 7 وضعيات باستخدام الزرين الموجودين على جانبي الإطار (الصورة 23). قم بضبطه حسب المستوى المرغوب، ثم قم بإحكام براغي التثبيت للزرين باستخدام مفك (غير مشمول في المجموعة) لضمان أقصى درجات الثبات (الصورة 24).
 2. وظيفة مضادة للارتجاع (ضد الاختناق): يمكن إمالة سرير الأطفال بفارق أقصى قدره وضعيتين في الارتفاع بين الأرجل من الجانبين (الصورة 25). **تنبيه!** يجب أن يكون رأس الطفل دائمًا موجّهًا نحو الجانب الأعلى! **تنبيه!** يمكن استخدام وظيفة مضادة للارتجاع فقط عندما تستخدم سرير الأطفال كسرير مستقل. لا يمكن استخدام هذه الوظيفة عندما يكون سرير الأطفال مثبتًا على سرير البالغين!
 3. تثبيت السرير إلى سرير البالغين بالترتيب التالي:
 - أزل الصفحة المتحركة؛
 - احظر المرتبة الخاصة بسرير البالغين باستخدام حزام الأمان؛
 - قم بتثبيت طرفي الحزام إلى قاعدة سرير الأطفال (1) (الصورة 26)، ثم قم بتثبيت خطاف التثبيت على جانب السرير (2) (الصورة 26). اسحب الحزام لضبط طوله (3) (الصورة 26).
- تنبيه!** نظرًا لخطر السقوط، يجب ألا تكون هناك فجوة بين الجزء السفلي من المنتج ومرتبة سرير البالغين!!! (الصورة 27)
- تنبيه!** نظرًا لخطر الاختناق، قم بتعديل ارتفاع سرير الأطفال بحيث يكون حافة مرتبة سرير البالغين فوق حافة الصفحة القابلة للطي لسرير الأطفال. لا تستخدم سرير الأطفال إذا كان ارتفاع سرير البالغين أقل من 50 سم أو أكثر من 80 سم فوق الأرض (الصورة 28).

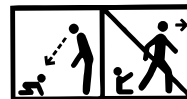
تفكيك سرير الأطفال

1. قم بفك الأحزمة المثبتة على سرير البالغين.
2. قم بإزالة العجلات من السرير (الصورة 19).
3. أزل ناموسية السرير والمرتبة من سرير الأطفال.
4. أزل الصفحة المتحركة واستخرج الأنبوب الحر (الصورة 14).
5. فك السحاب على طول سرير الأطفال الموجود في الإطار العلوي.
6. قم بتفكيك الدعم الرئيسي.
7. أزل التنجيد من الإطار العلوي للسرير.
8. قم بتفكيك الأنابيب الطولية والعرضية من الحامل.
9. اطر الساقين معًا لتجميع سرير الأطفال.
10. ضعها في الحقيبة.

WICHTIG: FÜR SPÄTERE VERWENDUNG AUFBEWAHREN - SORGFÄLTIG LESEN!

DE

ACHTUNG



- 1.ACHTUNG! LASSEN SIE DAS KIND NIE OHNE AUFSICHT!**
- 2.ACHTUNG! Verwenden Sie dieses Produkt nicht, ohne vorher die Gebrauchsanweisung gelesen zu haben!**
- 3.ACHTUNG!** Hören Sie auf, das Kinderbett zu benutzen, sobald das Kind ohne Hilfe sitzen, alleine aufstehen oder sich auf Händen und Knien aufrichten kann!
- 4.ACHTUNG!** Das Einlegen zusätzlicher Gegenstände in das Produkt kann zum Ersticken führen.
- 5.ACHTUNG! KEINE ZUSÄTZLICHEN GEGENSTÄNDE (Z. B. SPIELZEUG, KISSEN USW.) IN DAS KINDERBETT LEGEN!**
- 6.ACHTUNG!** Stellen Sie das Produkt nicht in der Nähe eines anderen Produkts auf, bei dem Erstickungs- oder Erürgungsgefahr besteht, z.B. Bänder, Schnüre für Jalousien / Vorhänge usw.
- 7.ACHTUNG!** Verwenden Sie nicht mehr als eine Matratze im Produkt.
- 8.ACHTUNG!** Seien Sie sich der Gefahr durch offenes Feuer und andere Quellen starker Hitze bewusst, wie z. B. Elektroherde mit Rheotanen, Gasherde usw. in unmittelbarer Nähe zum Kinderbett (Kinderbett oder Schaukel).

SICHERHEITSANFORDERUNG

- 1. ACHTUNG!** Entfernen Sie vor dem ersten Gebrauch des Produkts sämtliche Werbematerialien sowie die Materialien zur Befestigung am Produkt! Eventuelle Kunststoffverpackungen sollten entfernt, zerstört oder von Kindern ferngehalten werden, um Erstickungsgefahr zu vermeiden.
- 2.**Das Produkt muss auf einen ebenen Boden gestellt werden!
- 3.**Lassen Sie kleine Kinder nicht unbeaufsichtigt in der Nähe des Produkts spielen!
- 4.**Das Kinderbett muss in einer festen Position verriegelt sein, wenn das Kind unbeaufsichtigt im Bett liegt!
- 5.**Alle Befestigungselemente müssen immer fest angezogen sein, und es muss darauf geachtet werden, dass keine losen Schrauben oder Verbindungselemente vorhanden sind, an denen das Kind Körperteile oder Kleidungsstücke (z. B. Bänder, Schleifen, Schnullerketten) befestigen kann. Dies kann zu Erstickungsgefahr führen!Führen Sie Routineinspektionen durch, um sicherzustellen, dass keine losen, beschädigten oder fehlenden Teile vorhanden sind.
- 6.** Die maximale Dicke der Matratze beträgt 3 cm. Informationen zur maximalen Dicke der Matratze finden Sie auf dem Produktetikett sowie auf der Matratze selbst.
- 7.**Die maximale Innengröße des Kinderbetts, für das die Matratze vorgesehen ist, beträgt 84/51 cm.
- 8.**Benutzen Sie das Kinderbett nicht, wenn die Höhe des Elternbetts weniger als 50 cm oder mehr als 80 cm über dem Boden liegt (Foto 28).
- 9.**Verwenden Sie keine andere Matratze für das Kinderbett als die mit dem Produkt gelieferte und vom Hersteller zugelassene.
- 10.**Wenn Sie eine andere als die vom Hersteller bereitgestellte Matratze verwenden, stellen Sie sicher, dass diese die richtige Dicke hat und für das Produkt geeignet ist. Die Dicke der Matratze muss so sein, dass die Innenhöhe (von der Oberseite der Matratze bis zur Oberkante der Seiten des Kinderbettes) mindestens 200 mm beträgt.
- 11.**Wenn Sie eine andere als die vom Hersteller bereitgestellte Matratze verwenden, müssen die Länge und Breite so sein, dass der maximale Abstand zwischen der Matratze und den Seiten und Kanten des Kinderbetts 30 mm nicht überschreitet.
- 12.**Es ist möglich, die Basis des Kinderbetts leicht zu neigen, indem die beiden Beine auf unterschiedliche Höhen eingestellt werden (Foto 25). Das Kippen des Kinderbetts ist mit einem maximalen Höhenunterschied zwischen den beiden Beinen von 2 Positionen zulässig! **ACHTUNG!** Der Kopf des Kindes muss sich immer auf der höchsten Seite befinden!

- 13.ACHTUNG!** Verwenden Sie das Kinderbett NICHT, wenn Teile fehlen oder beschädigt oder gebrochen sind. Wenden Sie sich bei Bedarf an „Didis“ GmbH, um Ersatzteile und Anweisungen zu erhalten. Teile **NICHT** ersetzen!
- 14.**Das Produkt ist nur dann betriebsbereit, wenn die Verriegelungsmechanismen aktiviert sind. Stellen Sie vor dem Gebrauch sicher, dass sie gut befestigt sind!
- 15.**Wenn das Kind unbeaufsichtigt im Produkt in der "Kinderbett" -Konfiguration ist, stellen Sie sicher, dass die fallende Seite immer angehoben ist und die Reißverschlüsse vollständig befestigt sind!
- 16.**Verwenden Sie das Kinderbett nicht ohne Rahmen!
- 17.**Das Zusammenbauen, Entfalten und Falten des Produkts darf NUR von einem Erwachsenen durchgeführt werden!
- 18.**Verwenden Sie das Produkt nicht für mehr als ein Kind gleichzeitig.
- 19.**Bewahren Sie das Produkt bei Nichtgebrauch außerhalb der Reichweite von Kindern auf.
- 20.**Stellen Sie sicher, dass die Beine des Kinderbetts vollständig ausgestreckt sind, wenn Sie es als eigenständiges Kinderbett verwenden.
- 21.**Verwenden Sie **NICHT** das Kinderbett, das mit dem Bett der Eltern verbunden ist, wenn ein Teil fehlt oder beschädigt oder kaputt ist. Wenden Sie sich bei Bedarf an „Didis“ GmbH, um Ersatzteile und Anweisungen zu erhalten. Teile **NICHT** ersetzen!
- 22.**Die Verwendung des Produkts ist nur mit Betten und / oder einer Matratze mit geraden Seiten gestattet! Die Verwendung des Produkts mit runden Betten und / oder Matratzen- oder Wasserbetten oder aufblasbaren Matratzen usw. ist **NICHT ERLAUBT!**
- 23.**Wenn das Produkt in der Funktion "Am Elternbett befestigen" verwendet wird, muss es immer an der langen Seite des Zugangs zum Bett montiert werden. Befestigen Sie das Produkt NICHT am Kopf oder am Boden des Bettes!
- 24.WICHTIG FÜR DIE SICHERHEIT IHRES KINDES! Die Funktion " Am Elternbett befestigen " gilt NUR** für die Art von Betten, die alle oben und in diesem Absatz beschriebenen Bedingungen erfüllen! Insbesondere sollte die Seitenstütze des Kinderbetts immer in der Nähe der Matratze der Eltern platziert werden, und die Matratze sollte immer auf die Höhe der Seitenstütze ausgerichtet sein, um das Kinderbett zu begrenzen (Foto 27). Zusätzlich muss das Kinderbett fest an der Struktur des Elternbettes oder an der Matratzenauflage (Basis oder Matratzenrahmen) befestigt sein.
- 25.**Kinderbetten, die mit dem Bett der Eltern verbunden sind, dürfen niemals in einer geeigneten Position verwendet werden. Bei dieser Funktion müssen beide Beine immer auf die gleiche Höhe eingestellt werden!
- 26.ACHTUNG!** Wenn Sie die Produktfunktion " Am Elternbett befestigen" verwenden, muss das mit dem Elternbett verbundene Kinderbett mithilfe des Befestigungssystems ordnungsgemäß am Elternbett befestigt werden, damit kein Erstickungsrisiko entsteht.
- 27.**Das Befestigungssystem wird mit dem Kinderbett geliefert. Verwenden Sie kein anderes Befestigungssystem.
- 28.**Zwischen der Unterseite des mit dem Elternbett verbundenen Kinderbetts und der Matratze auf dem Elternbett darf niemals eine Lücke sein.
- 29.**Überprüfen Sie vor jedem Gebrauch immer das Befestigungssystem!
- 30.**Überprüfen Sie vor jedem Gebrauch die Befestigung des Befestigungssystems, indem Sie das mit dem Elternbett verbundene Kinderbett vom Elternbett wegziehen.
- 31.**Wenn zwischen dem mit dem Bett der Eltern verbundenen Kinderbett und dem Bett der Eltern eine Lücke besteht, verwenden Sie das Produkt NICHT.
- 32.**Die Lücken sollten nicht mit Kissen, Decken oder anderen Gegenständen gefüllt werden. Dies kann zu Erstickungsgefahr führen.
- 33.**Stellen Sie während des Gebrauchs sicher, dass die Laken und Decken der Eltern ins Kinderbett nicht eintreten und das Innere des Kinderbetts nicht bedecken.
- 34.Das Produkt sollte nur verwendet werden, wenn es fest am Erwachsenenbett befestigt ist oder wenn die bewegliche Seite in ihrer obersten Position verriegelt ist, um das Risiko eines Sturzes des Kindes zu vermeiden.**
- 35.GEFAHR! - Wenn das mit dem Elternbett verbundene Kinderbett nicht am Elternbett befestigt ist, müssen sich alle Seiten an ihrer Stelle und / oder in ihrer höchsten Position befinden. Heben Sie die bewegliche Seite immer vollständig an, wenn das Kinderbett nicht am Bett der Eltern befestigt ist.**

36.ACHTUNG - Um die Gefahr zu vermeiden, dass der Hals des Kindes an der oberen Schiene an der Seite neben dem Bett der Eltern gehalten wird, sollte die obere Schiene nicht höher sein als die Matratze auf dem Elternbett (Foto 28)

37.ACHTUNG - Um das Risiko einer Erstickung Ihres Kindes zu vermeiden, sollte das System der Befestigung am Bett der Eltern immer fern und außerhalb des Kinderbetts gehalten werden.

38.Die Matratze des Elternbettes muss in der niedrigsten Position auf oder über der Höhe der beweglichen Seite ausgerichtet sein.

39. Die Matratze des Elternbettes sollte immer höher sein als die Seite des Kinderbettes. Wenn nicht, verwenden Sie das Einstellsystem, um sicherzustellen, dass die Höhe auf beiden Seiten korrekt ist.

40. Vergewissern Sie sich vor jedem Gebrauch, dass zwischen der Matratze des Elternbettes und der Wand des Kinderbetts kein Platz ist. Ziehen Sie das Befestigungssystem und ziehen Sie es fest, bis der zulässige Zustand wiederhergestellt ist.

41. Verwenden Sie das Kinderbett mit der abgesenkten Seite nur in der Funktion "Am Elternbett befestigen".

42.ACHTUNG! Von Feuer fernhalten!

43. Spezifikationen, Farben und Inhalt können von den Abbildungen abweichen!

EN 1130:2019 + AC:2020; EN 16890:2017+A1:2021

PFLEGE UND WARTUNG

ACHTUNG! Wenn Sie das Baby-Bett im Freien benutzen, reinigen Sie die Füße und die anderen Elemente von Staub, da dies den Verriegelungsmechanismus schwer beschädigen kann. Bei bestimmten klimatischen Bedingungen können Teile von Schimmel und Mehltau befallen sein. Um dies zu verhindern, falten oder lagern Sie das Produkt nicht, wenn es feucht oder nass ist. Lagern Sie das Produkt immer an einem gut belüfteten Ort. Überprüfen Sie die Teile regelmäßig auf lose Schrauben, Muttern und andere Befestigungselemente und ziehen Sie sie gegebenenfalls fest.

Reinigung. Verwenden Sie bei Bedarf weiche Seife und warmes Wasser. Die Tasche kann manuell in warmem Wasser gewaschen werden, ohne gebügelt zu werden. Verwenden Sie kein Bleichmittel. Befolgen Sie beim Waschen von Textilien die Anweisungen auf dem Etikett. Verwenden Sie zur Reinigung keine Lösungsmittel, Scheuermittel oder ätzenden Mittel.

ACHTUNG! Legen Sie keine umfangreichen Gegenstände ins Baby-Bett, die das Kind beim Überqueren des Schutznetzes unterstützen könnten. Stellen Sie das Baby-Bett in die Nähe von Heizkörpern nicht, da dies die Kunststoff- und Textilteile beschädigen kann.

ACHTUNG! Zur richtigen Benutzung und Lagerung des Baby-Betts lesen Sie dieses Handbuch sorgfältig durch und befolgen Sie es genau!

Verwendete Materialien: Kunststoff, Textil, Metall, MDF.

TEILE

Abbildung 1

- | | |
|-------------------------------------|----------|
| 1. Matratze | - 1 Stk. |
| 2. Oberrahmen | - 1 Stk. |
| 3. Knopf zur Höhenverstellung | - 2 Stk. |
| 4. Hauptrahmen aus Aluminium | - 1 Stk. |
| 5. Untere Quer- und Längsstützrohre | - 4 Stk. |

- | | |
|----------------------|----------|
| 6. Bewegliche Seite | - 1 Stk. |
| 7. Hauptstützprofil | - 1 Stk. |
| 8. Polsterung | - 1 Stk. |
| 9. Räder | - 4 Stk. |
| 10. Korb für Zubehör | - 1 Stk. |
| 11. Moskitonetz | - 1 Stk. |
| 12. Sicherheitsgurt | - 1 Stk. |
| 13. Tragetasche | - 1 Stk. |

MONTAGE DES KINDERBETTES

1. Nehmen Sie das Kinderbett aus der Tasche.

2. Klappen Sie den Kinderbettrahmen auf, nachdem Sie die Beine angehoben und nach außen gedreht haben, sodass sich bei aufrechter Position der Beine die Niveaumarkierungen außen befinden (Foto 2).

3. Führen Sie die Längs- und Querrohre durch die Löcher der Verkleidung des Zubehörkorbs (Foto 3). Achtung! Richten Sie die Rohrstifte so aus, dass sie auf die vorgesehenen Befestigungslöcher zeigen. Montieren Sie die unteren Längs- und Querrohre des Zubehörkorbs, bis der Stift durch die Kunststofflöcher in den Beinen sichtbar ist (Foto 4,5,6).

4. Entfernen Sie die Kunststoffschutzvorrichtungen auf beiden Seiten des Hauptstützprofils, die an der Verkleidung befestigt sind (Foto 7). Bringen Sie die Polsterung an den oberen Rohren des Kinderbetts an und schließen Sie sie dann mit einem Reißverschluss. Montieren Sie das Hauptstützprofil an den seitlichen Löchern beider Beine und stellen Sie sicher, dass der Stift richtig installiert und fest am Bein befestigt ist (Foto 8,9). Achtung! Um das Stützprofil zu entfernen, drücken Sie die Knöpfe an der Unterseite der Beine.
5. Führen Sie das freie Rohr, das Teil des oberen Rahmens ist, durch die Öffnung in der herunterklappbaren Seite der Polsterung (wenn sie montiert ist, drücken Sie die Tasten unten und lassen Sie es los). Legen Sie die freien Enden des Rohrs mit den Entriegelungsknöpfen nach unten gegen den Kinderbettrahmen (Foto 10) und schließen Sie dann die Trennreißverschlüsse auf beiden Seiten des Netzes (Foto 11, 12).
6. Um die abnehmbare Seite zu entfernen, befolgen Sie die folgende Reihenfolge:
 - Öffnen Sie die Reißverschlüsse auf beiden Seiten (Foto 11).
 - Drücken Sie die Knöpfe an der Unterseite des Rohrendes, um es zu lösen (Foto 13,14) und befestigen Sie es an den Seitengurten (Foto 15,16).
7. Heben Sie die Beine des Kinderbetts an und setzen Sie die Achsen der Räder in die Löcher ein, bis Sie ein „Klicken“ hören (Foto 17,18). Um das Rad zu entfernen, drücken Sie den Knopf an der Innenseite des Beins nach innen und ziehen Sie das Rad nach unten (Foto 19). Um die Radbremse zu aktivieren, drücken Sie den Hebel nach unten (Foto 20) und zum Lösen nach oben (Foto 21).
8. Montieren Sie das Moskitonetz am oberen Rahmen des Korbs (Foto 22).

BETRIEB

1. Höhenverstellung. Die Höhe kann mit den beiden Knöpfen an der Seite des Rahmens in 7 Positionen eingestellt werden (Foto 23). Stellen Sie den gewünschten Grad ein und ziehen Sie dann die Knopfverriegelungsschrauben mit einem Schraubendreher (nicht im Lieferumfang enthalten) fest, um maximale Stabilität zu gewährleisten (Foto 24).
2. Anti-Reflex -Funktion (gegen Erstickung des Kindes) – das Kinderbett kann mit einem maximalen Unterschied von 2 Höhenpositionen zwischen den Beinen auf beiden Seiten gekippt werden (Foto 25). **AUFMERKSAMKEIT!** Der Kopf des Kindes muss immer zur höheren Seite hin positioniert sein! **AUFMERKSAMKEIT!** Die Anti-Reflex -Funktion kann nur genutzt werden, wenn Sie das Kinderbett als Einzelbett nutzen. Diese Funktion kann NICHT genutzt werden, wenn das Kinderbett am Erwachsenenbett befestigt ist!
3. Befestigen Sie das Kinderbett am Erwachsenenbett in der folgenden Reihenfolge:
 - die abnehmbare Seite entfernen;
 - Decken Sie die Matratze des Erwachsenenbetts mit dem Sicherheitsgurt ab.
 - Befestigen Sie beide Enden des Gürtels an der Unterseite des Kinderbetts (1) (Foto 26) und befestigen Sie dann den Haken an der Seite des Bettes (2) (Foto 26). Ziehen Sie am Gürtel, um seine Länge anzupassen (3) (Foto 26).**AUFMERKSAMKEIT!** Aufgrund der Sturzgefahr sollte zwischen der Unterseite des Produkts und der Matratze des Erwachsenenbettes KEIN Spalt vorhanden sein!!! (Foto 27)
- AUFMERKSAMKEIT!** Aufgrund der Erstickungsgefahr stellen Sie die Höhe des Kinderbetts so ein, dass der Rand der Matratze des Erwachsenenbetts oberhalb des Randes der abnehmbaren Seite des Kinderbetts positioniert ist. Benutzen Sie das Kinderbett nicht, wenn die Höhe des Elternbetts weniger als 50 cm oder mehr als 80 cm über dem Boden liegt (Foto 28).

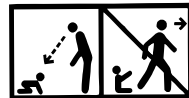
DEMONTAGE DES KINDERBETTES

1. Lösen Sie die am Erwachsenenbett angebrachten Gurte.
2. Entfernen Sie die Beine des Kinderbetts (Foto 19).
3. Entfernen Sie das Moskitonetz und die Matratze vom Kinderbett.
4. Entfernen Sie die abnehmbare Seite und entfernen Sie das freie Rohr (Foto 14).
5. Öffnen Sie den Reißverschluss entlang der Länge des Kinderbetts am oberen Rahmen.
6. Demontieren Sie das Haupttragprofil.
7. Entfernen Sie die Polsterung vom oberen Rahmen des Kinderbetts.
8. Demontieren Sie die Längs- und Querrohre des Zubehörkorbs
9. Falten Sie die beiden Beine zusammen, um das Kinderbett zusammenzuklappen.
10. In die Tasche legen.

DŮLEŽITÉ ČTĚTE POZORNĚ A USCHOVEJTE PRO BUDOUCÍ POUŽITÍ!

CZ

POZORNOST



- 1. POZORNOST!** Nikdy nenechávejte dítě bez dozoru!
- 2. POZORNOST!** Bez předchozího přečtení návodu k použití tento výrobek nepoužívejte!
- 3. POZORNOST!** Přešáňte používat postýlku, jakmile se dítě dokáže bez pomoci posadit, postavit se samo nebo se zvednout na ruce a kolena!
- 4. POZORNOST!** Vložení dalších předmětů do výrobku může způsobit udušení!
- 5. POZORNOST!** Do postýlky neumísťujte další předměty (hračky, polštáře atd.)!
- 6. POZORNOST!** Neumisťujte výrobek do blízkosti jiného výrobku, který může představovat nebezpečí zadušení nebo udušení, např. provazy, šňůry na žaluzie/záclony atd.
- 7. POZORNOST!** Ve výrobku nepoužívejte více než jednu matraci!
- 8. POZORNOST!** Uvědomte si nebezpečí otevřeného ohně a jiných zdrojů intenzivního tepla, jako jsou elektrické sporáky s odkrytými topnými tělesy, plynové sporáky atd. v těsné blízkosti dětské postýlky (kočárek nebo houpačka).

BEZPEČNOSTNÍ POŽADAVKY

- 1. POZORNOST!** Před prvním použitím výrobku z něj odstraňte veškeré reklamní materiály a také materiály pro jejich připevnění k výrobku! Jakékoli plastové obaly by měly být odstraněny, zničeny nebo uchovávány mimo dosah dětí, aby se zabránilo riziku udušení.
- 2.** Výrobek musí být umístěn na rovné podlaze!
- 3.** Nedovolte malým dětem hrát si bez dozoru v blízkosti postýlky!
- 4.** Když je v ní dítě ponecháno bez dozoru, postýlka musí být zajištěna v pevné poloze!
- 5.** Všechny upevňovací prvky musí být vždy bezpečně utaženy a je třeba dbát na to, aby nebyly uvolněné šrouby nebo nástavce, na které by dítě mohlo zavěsit části svého těla nebo oblečení (např. tkaničky, stuhy, řetízky na dudlík), které by mohly způsobit nebezpečí udušení! Provádějte běžné kontroly, abyste se ujistili, že nejsou uvolněné, poškozené nebo nechybí žádné díly.
- 6.** Maximální tloušťka matrace je 3 cm. Informace o maximální tloušťce matrace je uvedena na štítku výrobku, stejně jako na samotné matraci.
- 7.** Maximální vnitřní rozměr postýlky, pro kterou je matrace určena, je 84/51 cm.
- 8.** Nepoužívejte postýlku, pokud je výška postele rodičů menší než 50 cm nebo více než 80 cm nad podlahou (foto 28).
- 9.** Nepoužívejte jinou matraci do postýlky než tu, která byla dodána s výrobkem a schválena výrobcem.
- 10.** Používáte-li jinou matraci, než kterou dodává výrobce, ujistěte se, že má správnou tloušťku a je vhodná pro daný výrobek. Tloušťka matrace musí být taková, aby vnitřní výška (od horního povrchu matrace k hornímu okraji bočnic postýlky) byla alespoň 200 mm.
- 11.** Pokud použijete jinou matraci, než kterou dodává výrobce, její délka a šířka musí být taková, aby maximální vzdálenost mezi matrací a bočnicemi a konci postýlky nepřesáhla 30 mm.
- 12.** Základnu postýlky je možné mírně naklonit nastavením dvou nohou v různých výškách (foto 25). Naklápění postýlky je povoleno s maximálním výškovým rozdílem dvou nohou 2 poloh! **POZORNOST!** Hlava dítěte musí být vždy umístěna na nejvyšší straně!
- 13. POZORNOST! NEPOUŽÍVEJTE** postýlku, pokud některá část chybí, je poškozená nebo rozbitá. V případě potřeby kontaktujte „Didis“ s.r.o. pro náhradní díly a pokyny. **NEVYMĚŇUJTE** díly!
- 14.** Výrobek je připraven k použití pouze tehdy, když jsou zajištěny zajišťovací mechanismy. Před použitím se ujistěte, že jsou dobře upevněny!
- 15.** Když je dítě ponecháno bez dozoru v konfiguraci postýlky, ujistěte se, že prostěradlo je vždy nahoře a zipy jsou zcela uzavřeny.

16. Nepoužívejte postýlku bez rámu!
17. Montáž, skládání a rozkládání výrobku smí provádět **POUZE** dospělá osoba!
18. Nepoužívejte výrobek na více než jedno dítě současně.
19. Pokud výrobek nepoužíváte, uchovávejte jej mimo dosah dětí!
20. Při použití jako samostatné postýlky se ujistěte, že jsou nohy postýlky úplně roztažené.
21. **POZORNOST! NEPOUŽÍVEJTE** postýlku připojenou k posteli rodičů, pokud některá část chybí, je poškozená nebo rozbitá. V případě potřeby kontaktujte „Didis“ s.r.o. pro náhradní díly a pokyny. **NEVYMĚŇUJTE** díly!
22. Použití výrobku je povoleno pouze s postelemi a/nebo matracemi s rovnými stranami! Použití výrobku s kulatými postelemi a/nebo matracemi nebo vodními postelemi nebo nafukovacími matracemi atd. **NENÍ PVOLENO!**
23. Pokud je produkt používán ve funkci „Připojit k rodičovské posteli“, musí být vždy nainstalován na delší přístupovou stranu postele. **NEUPEVNŮJTE** výrobek k hlavě nebo spodní části postele!
24. **DŮLEŽITÉ PRO BEZPEČNOST VAŠEHO DÍTĚTE!** Funkce „Připojit k rodičovské posteli“ je použitelná **POUZE** u typu postelí, které splňují všechny podmínky popsané výše a v tomto odstavci! Zejména boční opěra postýlky by měla být vždy umístěna v blízkosti matrace rodiče a matrace by měla být vždy zarovnána s výškou boční opěrky, aby omezila postýlku (foto 27). Kromě toho musí být postýlka bezpečně připevněna k rámu postele rodiče nebo k podpěře matrace (základ nebo rám matrace).
25. Dětské postýlky spojené s postelí rodičů by nikdy neměly být používány v nakloněné poloze. S touto funkcí musí být obě nohy vždy nastaveny do stejné výšky!
26. **POZORNOST!** Při použití funkce „Připojit k rodičovské posteli“, aby se předešlo nebezpečí udušení při zachycení, musí být postýlka připojena k rodičovské posteli řádně připevněna k posteli rodičů pomocí upevňovacího systému.
27. Upevňovací systém je dodáván s postýlkou. Nepoužívejte žádný jiný upevňovací systém!
28. Mezi spodní stranou postýlky spojené s postelí rodičů a matrací na posteli rodičů by nikdy neměla být mezera.
29. Před každým použitím zkontrolujte upevňovací systém!
30. Před každým použitím zkontrolujte těsnost upevňovacího systému tak, že postýlku spojenou s postelí rodičů odtáhnete od postele rodičů.
31. Pokud je mezi postýlkou spojenou s postelí rodičů a postelí rodičů jakákoliv mezera, výrobek **NEPOUŽÍVEJTE**.
32. Mezery nesmí být vyplněny polštáři, přikrývkami nebo jinými předměty. To může způsobit riziko udušení.
33. Při používání dbejte na to, aby se prostěradla, přikrývky rodičů nedostaly do vnitřku postýlky a nezakrývaly ji.
34. Výrobek by měl být používán pouze poté, co je pevně připevněn k posteli pro dospělé, nebo když je posuvná strana zajištěna ve své nejvyšší poloze, aby se zabránilo riziku pádu dítěte.
35. **NEBEZPEČÍ!** Pokud není postýlka spojená s postelí rodičů připevněna k posteli rodičů, musí být všechny její strany na svém místě a/nebo v nejvyšší poloze. Pokud postýlka není připevněna k posteli rodičů, vždy plně zvedněte rolovací vozík.
36. **POZORNOST!** Aby se předešlo nebezpečí zachycení krku dítěte v horní liště stránky vedle postele rodičů, horní lišta by neměla být výše než matrace postele rodičů (foto 28).
37. **POZORNOST!** Abyste předešli riziku udušení vašeho dítěte, měl by být upevňovací systém k posteli rodičů vždy umístěn mimo postýlku dítěte.
38. Matrace na postele rodičů by měla být zarovnána na výšku skládací stránky v její nejnižší poloze nebo nad ní.
39. Matrace postele rodičů by měla být vždy vyšší než bočnice postýlky. Pokud ne, použijte seřizovací systém, abyste se ujistili, že výška je na obou stranách správná.
40. Před každým použitím zkontrolujte, zda mezi matrací postele rodičů a stěnou postýlky není mezera. Zatáhněte a utáhněte upevňovací systém, dokud se vůle neobnoví.
41. Postýlku používejte pouze bočnicí dolů ve funkci „Připojit k rodičovské posteli“!
42. **POZORNOST!** Chraňte daleko od ohně!
43. Specifikace, barvy a obsah se mohou lišit od vyobrazení!

PÉČE A ÚDRŽBA

POZORNOST! Pokud používáte postýlku venku, očistěte prach, který ulpí na nožičkách, stejně jako ostatní prvky, protože pokud se dostane do zamykacího mechanismu, může způsobit vážné poškození. V některých klimatických podmínkách mohou být části postiženy plísní a hříbký. Abyste tomu zabránili, neskládejte ani neskladujte výrobek, pokud je vlhký nebo moký. Výrobek vždy skladujte na dobře větraném místě. Vždy pravidelně kontrolujte díly, zda nejsou uvolněné šrouby, matice a další upevňovací prvky, v případě potřeby je dotáhněte.

Čištění. V případě potřeby použijte jemné mýdlo a teplou vodu. Tašku můžete prát ručně v teplé vodě bez žehlení. Nepoužívejte bělidlo. Při praní tkanin pečlivě dodržujte pokyny uvedené na štítku. K čištění nepoužívejte rozpouštědla, abrazivní prostředky nebo agresivní prostředky. Při čištění matrace pečlivě dodržujte pokyny uvedené na štítku. Tato matrace nemusí absorbovat zvrátky dítěte. Je zásadní použití chrániče matrace.

POZORNOST! Do postýlky neumísťujte objemné předměty, které by mohly pomoci dítěti převrátit se přes bariérové síť. Postýlku neumísťujte do blízkosti topných těles, mohlo by dojít k poškození plastových a textilních částí.

POZORNOST! Pro správnou obsluhu a skladování vaší postýlky si pozorně přečtěte tento návod a přesně jej dodržujte!

Použité materiály: plast, textil, kov, MDF

DÍLY

Foto A

1. Matrace – 1 ks.
2. Horní rám – 1 ks.
3. Tlačítko nastavení výšky – 2 ks.
4. Hlavní hliníkový rám – 1 ks
5. Dolní příčné a podélné nosné trubky – 4 ks.
6. Pohyblivá stránka – 1 ks.
7. Hlavní nosný profil – 1 ks.
8. Čalounění – 1 ks.
9. Kolečka – 4 ks
10. Koš na příslušenství (kufr) – 1 ks.
11. Moskytiéra – 1 ks
12. Bezpečnostní pás – 1 ks.
13. Přenosná taška – 1 ks.

INSTALACE DĚTSKÉ POSTÝLKY

1. Vyměte postýlku z tašky.
2. Po zvednutí a otočení noh směrem ven rozložte rám postýlky tak, aby s nohami ve vzpřímené poloze byly značky úrovně na vnější straně (foto 2).
3. Protáhněte podélné a příčné trubky do otvorů čalounění koše na příslušenství (foto 3) Pozornost! Nasměrujte kolíky potrubí tak, aby směřovaly k určeným montážním otvorům. Nainstalujte spodní podélné a příčné trubky stojanu, dokud kolík se neukáže skrz plastové otvory v nohách (foto 4, 5, 6).
4. Odstraňte plastové kryty na obou stranách hlavního nosného profilu připraveného k čalounění (foto 7). Nainstalujte čalounění na horní trubky postýlky a poté jej zapněte zipem. Namontujte hlavní nosný profil do bočních otvorů obou nohou a ujistěte se, že čep je správně nainstalován a pevně připevněn k noze (foto 8, 9). Pozornost! Pro odstranění nosného profilu stiskněte tlačítka umístěná na spodní straně nohou.
5. Protáhněte volnou trubku, která je součástí horního rámu, otvorem na rozbalovací stránce čalounění (pokud je namontováno, stiskněte tlačítka dole a uvolněte je). Volné konce trubky přiložte k rámu postýlky s uvolňovacími knoflíky směrem dolů (foto 10), poté upevněte přepážkové zipy na obou stranách sítě (foto 11, 12).
6. Chcete-li odstranit vyměnitelnou stránku, postupujte takto:
 - rozepte zipy na obou stranách (foto 11).
 - stiskněte tlačítka ve spodní části konce trubky, abyste ji uvolnili (foto 13, 14) a zavěste ji na boční popruhy (foto 15, 16).
7. Zvedněte nohy postýlky a nainstalujte osy koleček do otvorů, dokud neuslyšíte „cvaknutí“ (foto 17, 18). Chcete-li kolo sundat, stiskněte tlačítko umístěné na vnitřní straně nohy dovnitř a stáhněte kolo dolů (foto 19). Chcete-li aktivovat brzdu kola, stiskněte páčku dolů (foto 20) a uvolněte ji nahoru (foto 21).
8. Namontujte moskytiéru na horní rám koše (foto 22).

POUŽITÍ

1. Nastavení výšky. Výšku lze nastavit v 7 polohách pomocí dvou tlačítek umístěných na boku rámu (foto 23). Nastavte na požadovaný stupeň a poté utáhněte zajišťovací šrouby tlačítka šroubovákem (není součástí dodávky), abyste zajistili maximální stabilitu (foto 24).

2. Antirefluxní funkce (proti zadušení dítěte) – postýlku lze naklonit s max. rozdílem 2 výškových poloh mezi nožičkami na obou stranách (foto 25). **POZORNOST!** Hlava dítěte musí být vždy umístěna směrem k vyšší straně! **POZORNOST!** Antirefluxní funkci lze použít pouze v případě, že postýlku používáte jako jednotní lůžko. Tuto funkci **NELZE** použít, když je postýlka připevněna k posteli pro dospělé!

3. Připevnění postýlky k lůžku pro dospělé v následujícím pořadí:

- odstranit snímatelnou stránku;

- přikryjte matraci postele rodičů bezpečnostním pásem;

- připevněte oba konce pásu ke spodní části postýlky (1) (foto 26), poté připevněte háček ke straně postele (2) (foto 26) a upravte jeho délku (3) (foto 26).

POZORNOST! Z důvodu nebezpečí pádu by mezi spodní stranou výrobku a matrací postele rodičů neměla být **ŽÁDNÁ** mezera!!! (foto 27)

POZORNOST! Kvůli riziku udušení upravte výšku postýlky tak, aby okraj matrace postele rodičů byl nad okrajem snímatelné stránky postýlky. Postýlku nepoužívejte, pokud je výška postele rodičů menší než 50 cm nebo více než 80 cm nad podlahou (foto 28).

DEMONTÁŽ POSTÝLKY

1. Rozepněte popruhy připevněné k posteli rodičů.

2. Odstraňte kolečka postýlky (foto 19).

3. Odstraňte moskytiéru a matraci z dětské postele.

4. Odstraňte snímatelnou stránku a odstraňte uvolněnou trubici (foto 14).

5. Rozepněte zip po délce postýlky umístěné na horním rámu.

6. Demontujte hlavní nosný profil.

7. Odstraňte čalounění z horního rámu postýlky.

8. Demontujte podélné a příčné trubky kufru.

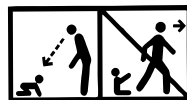
9. Složte dvě nohy k sobě a složte postýlku.

10. Vložte do tašky.

FONTOS! OLVASSA EL FIGYELMESEN ÉS ŐRIZZE MEG TOVÁBBI HASZNÁLATRA!

HU

FIGYELEM



- 1. FIGYELEM! SOHA NE HAGYJA GYERMEKÉT FELÜGYELET NÉLKÜL!**
- 2. FIGYELEM!** Csak akkor használja ezt a terméket ha már elolvasta a használati utasítást!
- 3. FIGYELEM!** Hagyja abba a kiságy használatát, amint a gyermek segítség nélkül fel tud ülni, önállóan fel tud állni, vagy felemelkedik a kezére és térdére!
- 4. FIGYELEM!** Kiegészítő tárgyak elhelyezése a termékben fulladást okozhat!
- 5. FIGYELEM! NE HELYEZZEN A KISÁGYBA KIEGÉSZÍTŐ TÁRGYAKAT (PL. JÁTÉKOK, PÁRNÁK, STB)!**
- 6. FIGYELEM!** Ne helyezze a terméket olyan más termék közelébe, amely fulladást okozhat vagy megfojthatja a gyermeket, pl. nyakkendő, redőny/függöny zsinórja, stb.!
- 7. FIGYELEM!** Ne tegyen egy matracnál többet a termékbe!
- 8. FIGYELEM!** Legyen tudatában a nyílt láng és más erős hőforrások veszélyének, mint például a reotános elektromos tűzhelyek, gáztűzhelyek stb. a gyermekágy (kiságy vagy hinta) közvetlen közelében.

BIZTONSÁGI ELŐÍRÁSOK

- 1. FIGYELEM!** A termék első használata előtt távolítson el róla minden reklámanyagot, valamint a termékhez való rögzítéshez szükséges anyagokat! A fulladásveszély elkerülése érdekében minden műanyag csomagolóanyagot el kell távolítani, meg kell semmisíteni, vagy gyermekektől távol kell tartani.
- 2.** A terméket csak vízszintes felületre szabad felállítani!
- 3.** Ne engedje, hogy kisgyermek felügyelet nélkül játszanak a termék közelében!
- 4.** A kiságyat fix helyzetbe kell rögzíteni, ha a gyermeket felügyelet nélkül hagyja benne!
- 5.** Minden rögzítő elemet erősen meg kell húzni, és figyelni arra, hogy egyetlen csavar, szerelvény és egyéb tárgy (pl. heveder, szalag, cumi lánc, stb.) melybe a gyermek vagy a ruházata beakadhat se legyen laza, mert fulladásveszélyt okozhat!
Végezzen rutinellenőrzést, hogy meggyőződjön arról nincsenek-e laza, sérült vagy hiányzó alkatrészek.
- 6.** A matrac maximális vastagsága 3 cm A matrac maximális vastagságára vonatkozó információ a termék címkéjén, valamint magán a matracon található.
- 7.** A kiságy maximális belső mérete, melyre a matracot tervezték, 84/51 cm.
- 8.** Ne használja a kiságyat, ha a szülői ágy magassága 50 cm-nél kisebb vagy 80 cm-nél magasabb a padló felett (28. kép).
- 9.** Csak a termékhez mellékelte és a gyártó által jóváhagyott matracot használjon gyermekágyban.
- 10.** Ha nem a gyártó által megadott matracot használja, győződjön meg róla, hogy az Ön által használt matrac megfelelő vastagságú-e és megfelelő-e a termékhez. Olyan vastagságú matracot válasszon, hogy a belső függőleges magasság (a matrac felső felületétől az ágy oldalfalának felső széléig) az ágy legmagasabb pozíciójában legalább 200 mm legyen.
- 11.** Ha nem a gyártó által megadott matracot használja, akkor a matrac hosszának és szélességének olyannak kell lennie, hogy a matrac és a kiságy szélei közötti hézag ne haladja meg a 30 mm-t.
- 12.** A kiságy alja enyhén dönthető a két láb különböző magasságba állításával (25. kép). A kiságy dönthető úgy, hogy a két lába közötti magasságkülönbség legfeljebb 2 pozíció legyen! FIGYELEM! A gyermek fejének mindig a legmagasabb oldalon kell lennie!
- 13. FIGYELEM! NE** használja a kiságyat, ha valamelyik része hiányzik, sérült vagy törött. Ha szükséges, vegye fel a kapcsolatot a „Didis“ Kft-vel pótalkatrésszel vagy használati utasítással kapcsolatosan. Csak a gyártó által jóváhagyott alkatrészeket használja!
- 14.** A termék csak akkor áll készen a használatra, ha a zárószervezetek aktiválva vannak. Használat előtt ellenőrizze, hogy jól vannak-e rögzítve!

15. Amikor a gyermeket felügyelet nélkül hagyja a termékben „kiságy“ konfigurációban, ellenőrizze, hogy az ágy lehajtható oldalát felhajtotta és a húzózáratat teljesen felhúzta.
16. NE használja a kiságyat váz nélkül.
17. A termék összeszerelését, kinyitását és összecukását CSAK felnőtt végezheti!
18. Egyszerre csak egy gyermek tartózkodjon a kiságyban.
19. Tartsa a terméket gyermekektől elzárva, ha nem használja.
20. Ellenőrizze, hogy a kiságy lábai teljesen szét vannak-e húzva, ha önálló kiságyként használja a terméket.
21. NE használja a kiságyat a szülői ágyhoz rögzítve, ha valamelyik része hiányzik, megrongálódott vagy törött. Vegye fel a kapcsolatot a „Didis“ Kft-vel pótalkatrésszel vagy használati utasítással kapcsolatban. Csak a gyártó által jóváhagyott alkatrészeket használja!
22. Csak olyan felnőtt ágygal vagy matracal használja a kiságyat, melynek oldala egyenes! NEM **MEGEGEDETT** a termék használata kerek ágy és/vagy matrac, vízágy, felfújható matrac stb. mellett!
23. Amikor a terméket a „Rögzítés a szülői ágyhoz“ funkcióban használják, azt mindig a szülői ágy hosszabb oldalára kell felszerelni. NE rögzítse a terméket az ágy fej vagy láb részéhez!
24. **FONTOS GYERMEKE BIZTONSÁGA ÉRDEKÉBEN!** A „Rögzítés a szülői ágyhoz“ funkció CSAK olyan típusú ágyakkal alkalmazható, melyek megfelelnek a fenti és ebben a bekezdésben leírt feltételeknek! Különösen a kiságy oldalsó támaszát mindig a szülői matrac közelében kell elhelyezni, és a matracnak mindig a kiságy oldalsó támaszának magasságához kell igazodnia (27 ábra.). Ezen kívül a gyermekágyat szilárdan rögzíteni kell a szülői ágykerethez vagy a matrac tartójához (alap vagy ágybetét).
25. Soha ne rögzítse a kiságyat döntött pozícióban a szülői ágyhoz! Ennél a funkciónál mindkét lábat egyenlő magasságra kell beállítani!
26. **FIGYELEM!** Amikor a „Rögzítés a szülői ágyhoz“ funkciót használja, a „gyermek fulladása és a két ágy közé szorulása“ kockázatának megelőzése érdekében a kiságyat megfelelő módon kell rögzíteni a szülői ágyhoz a rögzítő rendszer segítségével.
27. A rögzítő rendszer a kiságy tartozéka. Ne használjon más rögzítő rendszert.
28. Mindig ellenőrizze, hogy semmilyen hézag ne legyen a szülői ágyhoz rögzített kiságy alsó része és a felnőtt ágy matraca között!
29. Minden használat előtt ellenőrizze a rögzítő rendszert!
30. Minden használat előtt próbálja elhúzni a felnőtt ágytól a kiságyat, ezzel ellenőrizve, hogy az helyesen és megfelelően feszesen van-e rögzítve a szülői ágyhoz!
31. Ha hézag van a szülői ágyhoz rögzített kiságy és a szülői ágy között, NE használja a terméket.
32. Ne használjon párnát, takarót, vagy egyéb tárgyat a kiságy és a felnőtt ágy közötti hézag kitöltésére! Ez fulladásveszélyt okozhat.
33. Használat közben mindig figyeljen rá, hogy a szülők lepedője vagy takarója ne kerüljön be a kiságy belsejébe illetve ne takarja le azt.
34. **A terméket csak akkor szabad használni, ha az szorosan rögzítve van a felnőtt ágyához, vagy ha a mozgatható oldala a legfelső pozícióba van rögzítve, hogy elkerülje a gyermek kiesését.**
35. **VESZÉLY!** - Ha a szülői ágyhoz illesztett kiságy nincs rögzítve a szülői ágyhoz, annak minden oldalát a helyükre és/vagy a legmagasabb helyzetbe kell állítani. Mindig emelje fel teljesen a mozgatható oldalt, ha a kiságy nincs rögzítve a szülők ágyához.
36. **FIGYELEM!** A kiságy leeresztett oldalának magassága soha ne haladja meg a felnőtt ágy matracának magasságát, hogy a baba nyaka ne akadhatson fenn a leeresztett oldalon (28 ábra.).
37. **FIGYELEM!** A fulladásveszély elkerülése érdekében a rögzítő rendszert, mely arra szolgál, hogy a kiságyat a szülői ágyhoz rögzítse, mindig tartsa távol a kiságytól és azon kívül!
38. **A szülői ágy matracát a kiságy mozgatható oldalának legalacsonyabb helyzetben lévő magasságához vagy fölé kell igazítani.**
39. A szülői ágy matracának mindig magasabban kell lennie, mint a gyermekágy oldala. Ha nem így van, használja a beállító rendszert, hogy meggyőződjön róla, a magasság mindkét oldalon megfelelő-e.
40. Minden használat előtt ellenőrizze, hogy van-e hézag a szülői ágy matraca és a kiságy oldala között. Húzza meg és feszítse meg a rögzítő rendszert addig, amíg az engedélyezett állapot helyre nem áll.
41. Ha a kiságy oldalát leengedi, csak a „Rögzítés a szülői ágyhoz“ funkcióban használja.
42. **FIGYELEM!** Tartsa távol a tűztől!
43. A műszaki adatok, a színek és a tartalom eltérhetnek a képeken láthatótól

TISZTÍTÁS ÉS KARBANTARTÁS

FIGYELEM! Amennyiben kint használja az utazóágyat, takarítsa le a lábakról a port, meg a többi elemről is, mivel a por komoly sérülést okozhat a lezáró mechanizmusban. Bizonyos éghajlati körülmények befolyásolhatják az alkatrészek befolyásolhatja penészesedését. Ennek elkerülése érdekében ne hajtsa össze és ne tárolja a terméket nedves vagy vizes környezetben. A terméket mindig jól szellőző helyen tárolja. Rendszeresen ellenőrizze az alkatrészeket és a laza csavarokat, anyákat és egyéb rögzítőelemeket szükség esetén húzza meg.

Tisztítás. Szükség esetén használjon lágy szappant és meleg vizet. A táskát moshatja kézzel melegvízben, vasalás nélkül. Ne használjon fehérítőszereket. Szövet mosásához alaposan kövesse a címkén szereplő utasításokat. A tisztításhoz ne használjon oldószert, csiszolószert vagy maró hatású termékeket.

FIGYELEM! Ne hagyjon méretes tárgyakat az ágyban, amelyekre gyermeke felléphet és kimászhat az ágyból. Ne helyezze hősugárzó készülékek közelébe az ágyat, mivel a melegtönkreteheti a műanyag, ill. a textil elemeket.

FIGYELEM! Az Ön utazóágyának helyes használata és tárolása érdekében, kérjük, olvassa el figyelmesen, és tartsa be, a jelen útmutatóban leírtakat!

Használt anyagok: Műanyag, textil, fém, MDF

TARTOZÉKOK

ábra 1

1. Matrac	- 1 db.
2. Felső keret	- 1 db.
3. Magasságállító gomb	- 2 db.
4. Fő alumínium keret	- 1 db
5. Alsó keresztirányú és hosszanti tartócsövek	- 4 db.

6. Mozgatható oldal	- 1 db.
7. Fő támasztóprofil	- 1 db.
8. Kárpit	- 1 db.
9. Kerekek	- 4 db
10. Kosár tartozékokhoz (csomagtartó)	- 1 db.
11. Szúnyogháló	- 1 db.
12. Biztonsági öv	- 1 db.
13. Hordtáska	- 1 db.

A KISÁGY FELSZERELÉSE

1. Vegye ki a kiságyat a táskából.

2. A lábak felemelése és kifordítása után hajtsa ki a kiságy keretét úgy, hogy amikor a lábak függőleges helyzetben vannak, a szintjelzők kívülre kerüljenek (2. kép).

3. Vezesse át a hosszanti és keresztirányú csöveket a tartozékosár kárpitján lévő lyukakon (3. kép) Figyelem! Irányítsa a csőcsapokat úgy, hogy a kijelölt rögzítőfuratok felé mutassanak. Szerelje be az alsó hosszirányú és keresztirányú csomagtartó csöveit, amíg a csap át nem látszik a lábakon lévő műanyag lyukakon (4., 5., 6. kép).

4. Távolítsa el a műanyag védőburkolatokat a kárpithoz rögzített fő támasztóprofil mindkét oldalán (7. kép). Szerelje fel a kárpitot a kiságy felső csöveire, majd cipzárassa le. Szerelje össze a fő támasztóprofil mindkét láb oldalsó furataihoz, és ellenőrizze, hogy a csap megfelelően van-e felszerelve és biztonságosan rögzítve van-e a lábón (8., 9. kép). Figyelem! A támasztóprofil eltávolításához nyomja meg a lábak alsó oldalán található gombokat.

5. Vezesse át a felső keret részét képező szabad csövet a kárpit levehető oldalán lévő nyíláson (ha fel van szerelve, nyomja meg az alsó gombokat és engedje el). A cső szabad végéit a kioldógombokkal lefelé helyezze a kiságy keretére (10. kép), majd rögzítse a válaszfal cipzárait a háló mindkét oldalán (11., 12. kép).

6. A levehető oldal eltávolításához kövesse az alábbi sorrendet:

- oldja ki a cipzárakat mindkét oldalon (11. kép).

- nyomja meg a cső végén található alsó gombokat a kioldásához (13., 14. kép), és akassza az oldalsó hevederekhez (15., 16. kép).

7. Emelje fel a kiságy lábait, és helyezze be a kerekek tengelyeit a nyílásokba, amíg egy "kattanást" nem hall (17., 18. kép). A kerék eltávolításához nyomja befelé a láb belső oldalán található gombot, és húzza lefelé a kereket (19. kép). A kerékfék aktiválásához nyomja le a kart (20. kép), a kioldásához pedig nyomja felfelé a kart (21. kép).

8. Szerelje fel a szúnyoghálót a kosár felső keretére (22. kép).

HASZNÁLAT

1. Magasságállítás. A magasság 7 pozícióban állítható a keret oldalán található két gomb segítségével (23. kép). Állítsa be a kívánt fokozatra, majd csavarhúzóval (nem tartozéka a készletnek) húzza meg a gombörgőtű csavarokat a maximális stabilitás érdekében (24. kép).
 2. Anti-reflux funkció (gyermek fulladása ellen) - a kiságy mindkét oldalán maximum 2 magasságkülönbséggel dönthető a lábak között (25. kép). **FIGYELEM!** A gyermek fejének mindig a legmagasabb oldalon kell lennie! **FIGYELEM!** Az anti-reflux funkció csak akkor használható, ha a kiságyat önálló ágyként használja. Ez a funkció **NEM** használható, ha a kiságy a felnőtt ágyhoz van rögzítve!
 3. A kiságy rögzítése a felnőtt ágyhoz a következő sorrendben:
 - távolítsa el a mozgatható oldalt;
 - takarja be a felnőtt ágy matracát a biztonsági övvel;
 - rögzítse az öv mindkét végét a kiságy aljához (1) (26. kép), majd rögzítse a kampót az ágy oldalához (2) (26. kép). Húzza meg az övet a hosszának beállításához (3) (26. kép).**FIGYELEM!** A leesés veszélye miatt **NEM** lehet rés a termék alsó része és a felnőtt ágy matracá között!!! (27. kép)
- FIGYELEM!** A fulladásveszély miatt a kiságy magasságát úgy állítsa be, hogy a felnőtt ágy matracának széle a kiságy kivehető oldalának széle fölé kerüljön. Ne használja a kiságyat, ha a szülői ágy magassága 50 cm-nél kisebb vagy 80 cm-nél magasabb a padló felett (28. kép).

A KISÁGY LESZERELÉSE

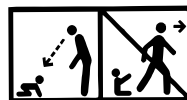
1. Válassza le a felnőtt ágyra szerelt szíjakat.
2. Távolítsa el a kiságy kerekeit (19. kép).
3. Távolítsa el a szúnyoghálót és a matracot a gyermek ágyáról.
4. Távolítsa el a mozgatható oldalt és távolítsa el a szabad csövet (14. kép).
5. Oldja ki a felső kereten található kiságy hosszanti cipzárt.
6. Szerelje le a fő támasztó profilt.
7. Távolítsa el a kárpitot a kiságy felső keretéről.
8. Szerelje le a csomagtartó hosszanti és keresztirányú csöveit.
9. Hajtsa össze mindkét lábát a kiságy összecukásához.
10. Helyezze le a hordtaskába.

ВАЖНО: ПРОЧИТАТЬ ВНИМАТЕЛЬНО И СОХРАНИТЬ ДЛЯ ДАЛЬНЕЙШЕГО ИСПОЛЬЗОВАНИЯ!

RU

ВНИМАНИЕ

EAC



- 1.ВНИМАНИЕ! НИКОГДА НЕ ОСТАВЛЯЙТЕ РЕБЕНКА БЕЗ ПРИСМОТРА!**
- 2.ВНИМАНИЕ!** Не использовать данное изделие, не прочитав инструкцию по эксплуатации!
- 3.ВНИМАНИЕ!** Прекратите использование кроватки, как только ребенок начнет самостоятельно сидеть, вставать без посторонней помощи или подниматься на четвереньки!
- 4.ВНИМАНИЕ!** Размещение дополнительных предметов в изделии может причинить удушье.
- 5.ВНИМАНИЕ! НЕ ПОМЕЩАТЬ В ДЕТСКУЮ КРОВАТКУ ДОПОЛНИТЕЛЬНЫЕ ПРЕДМЕТЫ (НАПРИМЕР, ИГРУШКИ, ПОДУШКИ И ПР.)!**
- 6.ВНИМАНИЕ!** Не устанавливайте данное изделие рядом с другим изделием, которое может создать опасность удушья, например, шнуры, веревки жалюзи/штор и пр.
- 7.ВНИМАНИЕ!** Не используйте более одного матраса в изделии.
- 8.ВНИМАНИЕ!** Помните об опасности открытого огня и других источников сильного тепла, таких как электроплиты с реотанами, газовые плиты и т.д., в непосредственной близости от детской кроватки (люльки или колыбели).

ТРЕБОВАНИЯ БЕЗОПАСНОСТИ

- 1.ВНИМАНИЕ!** Перед первым использованием изделия снимите с него все рекламные материалы, а также материалы для их крепления к изделию! Любую пластиковую упаковку следует удалить, уничтожить или хранить вдали от детей во избежание риска удушья.
- 2.**Изделие необходимо установить на ровный пол!
- 3.**Не разрешать маленьким детям играть без присмотра рядом с изделием!
- 4.**Детская кроватка должна быть заблокирована в фиксирующем положении, когда ребенок находится без присмотра в ней!
- 5.**Все крепежные элементы должны быть хорошо затянуты, необходимо проверять наличие ослабших винтов или присоединительных элементов, на которые ребенок может зацепить части тела или свою одежду (например, шнуры, бантики, цепочки сосок-пустышек), что может вызвать риск удушья!
Регулярно проверяйте, что нет ослабших, поврежденных или отсутствующих частей.
- 6.** Максимальная толщина матраса составляет 3 см. Информация о максимальной толщине матраса указана на маркировке изделия, а также на самом матрасе.
- 7.**Максимальная внутренняя величина кроватки, для которой предназначен матрас, составляет 84/51 см.
- 8.**Не используйте кроватку, если высота родительской кровати составляет менее 50 см или более 80 см над полом (Рис. 28).
- 9.**Не использовать матрас для детской кроватки, отличающийся от предоставленного с изделием и одобренного изготовителем.
- 10.**Если используется матрас, отличающийся от предоставленного изготовителем, убедитесь, что он имеет правильную толщину и подходит изделию. Толщина матраса должна быть такой, чтобы внутренняя высота (с верхней поверхности матраса до верхнего края бортиков детской кроватки) была минимум 200 мм.
- 11.**Если используется матрас, отличающийся от предоставленного изготовителем, длина и ширина должны быть такими, чтобы максимальное расстояние между матрасом и сторонами, концами кроватки не превышало 30 мм.

12. Можно слегка наклонить основание кровати, отрегулировав обе ножки на разной высоте (Рис. 25). Наклон кровати допускается при максимальной разнице в высоте между двумя ножками в 2 положения! **ВНИМАНИЕ!** Голова ребенка всегда должна располагаться на самой высокой стороне!
13. **ВНИМАНИЕ!** НЕ использовать детскую кровать, если какая-нибудь часть отсутствует, повреждена или сломана. При необходимости свяжитесь с ООО «Дидис» касательно запасных частей и инструкций! НЕ заменяйте части!
14. Изделие готово к использованию только тогда, когда механизмы блокировки включены. Убедитесь, что они хорошо зафиксированы перед применением!
15. Когда ребенок находится без присмотра в изделии в конфигурации «кровать», убедитесь, что регулируемый бортик всегда поднят и молнии до конца застегнуты!
16. Не использовать детскую кровать без рамки!
17. Сборка, раскладывание и складывание изделия производится ТОЛЬКО взрослым!
18. Не помещайте в изделие более одного ребенка одновременно.
19. Храните изделие в месте, недоступном для детей, когда оно не используется.
20. Убедитесь, что ножки детской кровати полностью вытянуты, когда она используется самостоятельно.
21. **НЕ** используйте кровать, присоединенную к родительской кровати, если какая-нибудь часть отсутствует, повреждена или сломана. При необходимости свяжитесь с ООО «Дидис» касательно запасных частей и инструкций! **НЕ** заменяйте части!
22. Использовать изделие разрешается только с кроватями и/или матрасом с прямыми стенками! Использование изделия с круглыми кроватями и/или матрасом, водными кроватями, или надувными матрасами и т.д. **НЕ РАЗРЕШЕНО!**
23. При использовании изделия в функции «Крепление к родительской кровати» оно всегда должно быть установлено на длинной стороне доступа к кровати. НЕ прикреплять изделие со стороны изголовья или днища кровати!
24. **ВАЖНО ДЛЯ БЕЗОПАСНОСТИ ВАШЕГО РЕБЕНКА!** Функция «Крепление к родительской кровати» применима ТОЛЬКО для типа кроватей, отвечающих на все указанные выше и в данном пункте условия! Более того, боковая опора кровати всегда должна устанавливаться рядом с матрасом родителей, а матрас всегда должен быть выравнен с высотой боковой опоры для ограничения кровати (Фото 27). Кроме этого, детская кровать должна быть хорошо прикреплена к конструкции родительской кровати или к опоре матраса (основанию или рамке матраса).
25. Кровати, прикрепленные к родительской кровати, никогда не должны использоваться в наклонном положении. При использовании этой функции обе ножки всегда должны быть отрегулированы на одной и той же высоте!
26. **ВНИМАНИЕ!** Когда используется функция изделия «Крепление к родительской кровати», в целях предотвращения опасности удушья в результате застревания, кровать должна быть правильно прикреплена к родительской кровати при помощи системы крепления.
27. Система крепления предоставляется с кроватью. Не используйте другую систему крепления.
28. Никогда не должно быть промежутка между нижней стороной кровати, присоединенной к родительской кровати, и матрасом родительской кровати.
29. Всегда проверяйте систему крепления перед каждым использованием!
30. Проверьте фиксацию системы крепления перед каждым использованием, вытянув кровать, присоединенную к родительской кровати, в боковом направлении от нее.
31. Если имеется промежуток между кроватью, присоединенной к родительской кровати, и кроватью родителей, **НЕ** использовать изделие.
32. Не заполняйте промежутки подушками, одеялами или иными предметами. Это может вызвать риск удушья.
33. Во время использования убедитесь, что простыни, одеяла родителей не попадают и не покрывают внутренность детской кровати.
34. Изделие необходимо использовать только после того, когда оно хорошо прикреплено к кровати для взрослого, или когда подвижный бортик заблокирован в самом верхнем положении, чтобы избежать риска падения ребенка.
35. **ОПАСНОСТЬ!** – Когда кровать, присоединенная к родительской кровати, не прикреплена к ней, необходимо, чтобы все ее бортики были установлены на свои места и/или в самом высоком положении. Всегда поднимайте до конца подвижный бортик, когда кровать не прикреплена к родительской кровати.
36. **ВНИМАНИЕ** – Во избежание опасности защемления шеи ребенка верхним рельсом со стороны, прилегающей к родительской кровати, верхний рельс не должен быть выше матраса родительской кровати (Фото 28).
37. **ВНИМАНИЕ** – Во избежание риска удушья ребенка, система крепления к родительской кровати всегда должна храниться вдали от детской кровати и за ее пределами.
38. Матрас родительской кровати должен быть подравненным или превышать высоту подвижного бортика в самом низком положении.

39. Матрас родительской кровати всегда должен быть выше, чем бортик кроватки. Если он ниже, то воспользуйтесь системой регулировки, чтобы убедиться, что высота является корректной с обеих сторон.

40. Перед каждым применением всегда проверяйте, имеется ли промежуток между матрасом родительской кровати и стенкой детской кроватки. Потяните и затяните систему крепления до восстановления разрешенного положения.

41. Используйте кроватку с опущенной стенкой только при применении функции «Крепление к родительской кровати».

42. **ОСТОРОЖНО!** Держите подальше от огня!

43. Технические характеристики, цвета и содержимое могут отличаться от представленных на фотографиях!

EN 1130:2019 + AC:2020; EN 16890:2017+A1:2021

УХОД И ОБСЛУЖИВАНИЕ

ВНИМАНИЕ! Если используете манеж на улице, почистите попавшую на ножках пыль, а также и по остальным элементам, поскольку попавшая в механизме застёжек пыль может привести к серьезным повреждениям. В некоторых климатических условиях части могут покрыться плесенью. Чтобы предотвратить это, не складывайте и не храните изделие, если оно влажное или мокрое. Всегда храните изделие в хорошо проветриваемом месте. Регулярно проверяйте части на наличие ослабленных винтов, гаек и других крепежных элементов, при необходимости затяните их.

Очистка. При необходимости, используйте нейтральное мыло и прохладную воду. Стирка сумки осуществляется вручную мылом в теплой воде; ее нельзя гладить. Не используйте отбеливатель. Для стирки тканей внимательно соблюдать указания на этикетке. Для чистки не применять растворители, абразивные средства или агрессивные препараты.

ВНИМАНИЕ! Не оставляйте в манеже объемистые предметы, которые могут помочь ребенку перебраться через ограждающие сетки. Не ставьте манеж в непосредственной близости к отопительным приборам, поскольку это повреждает пластмассовые и текстильные элементы.

ВНИМАНИЕ! Для правильной эксплуатации и для сохранения вашего манежа, прочитайте настоящую инструкцию и соблюдайте ее строго!

Использованные материалы: Пластик, текстиль, металл, MDF.

ДЕТАЛИ

Рис. 1

1. Матрас	- 1 шт.
2. Верхняя рама	- 1 шт.
3. Кнопка регулировки высоты	- 2 шт.
4. Основная алюминиевая рама	- 1 шт.
5. Нижние поперечные и продольные опорные трубки	- 4 шт.

6. Подвижная часть	- 1 шт.
7. Основной несущий профиль	- 1 шт.
8. Обивка	- 1шт.
9. Колеса	- 4 шт.
10. Корзина для принадлежностей (багажник)	- 1 шт.
11. Москитная сетка	- 1 шт.
12. Ремень безопасности	- 1 шт.
13. Сумка для переноски	- 1 шт.

УСТАНОВКА ДЕТСКОЙ КРОВАТКИ

1. Достаньте кроватку из сумки.
2. Разверните раму кроватки, подняв и повернув ножки наружу так, чтобы при вертикальном положении ножек отметки уровня находились снаружи (Рис. 2).
3. Проденьте продольные и поперечные трубки в отверстия обивки корзины для принадлежностей (Рис. 3). Внимание! Расположите штифты трубок таким образом, чтобы они были направлены на указанные монтажные отверстия. Установите нижние продольные и поперечные трубки багажника так, чтобы штифт показался через пластиковые отверстия ножек (Рис. 4, 5, 6).
4. Снимите пластиковые защиты с обеих сторон основного несущего профиля, закрепленного на обивке (Рис. 7). Наденьте обивку на верхние трубки кроватки, затем застегните молнию. Установите основной несущий профиль в боковые отверстия обеих ножек и убедитесь, что штифт установлен правильно и надежно прикреплен к ножке (Рис. 8, 9). Чтобы снять несущий профиль, нажмите на кнопки, расположенные на нижней стороне ножек.
5. Пропустите свободную трубку, являющуюся частью верхней рамы, через отверстие на подвижной части обивки (если она зажата, нажмите на кнопки под ней и освободите ее). Прикрепите свободные концы трубки к раме кроватки так, чтобы кнопки регулировки были направлены вниз (Рис. 10), затем застегните молнии на перегородке по обе стороны сетки (Рис. 11, 12).

6. Чтобы снять подвижную часть, выполните следующую последовательность действий:
- расстегните молнии с обеих сторон (Рис. 11);
- нажмите на кнопки в нижней части концов трубки, чтобы освободить ее (Рис. 13, 14), и прикрепите к боковым лямкам (Рис. 15, 16).
7. Поднимите ножки кровати и установите оси колес в отверстия до щелчка (Рис. 17, 18). Чтобы снять колесо, нажмите на кнопку, расположенную на внутренней стороне ножки, и потяните колесо вниз (Рис. 19). Нажмите на рычаг вниз, чтобы активировать тормоз колеса (Рис. 20), и вверх, чтобы отпустить его (Рис. 21).
8. Установите москитную сетку на верхнюю раму корзины (Рис. 22).

ЭКСПЛУАТАЦИЯ

1. Регулировка высоты. Высоту можно регулировать в 7 положениях с помощью двух кнопок, расположенных на боковой стороне рамы (Рис. 23). Отрегулируйте до нужной степени, затем затяните стопорные винты на кнопках с помощью отвертки (не входит в комплект), чтобы обеспечить максимальную устойчивость (Рис. 24).
2. Функция антирефлюкс (против удушья ребенка) – кровать можно наклонять с разницей в высоте между ножками с обеих сторон максимум на 2 позиции (Рис. 25). **ВНИМАНИЕ!** Голова ребенка всегда должна быть расположена на более высокой стороне! **ВНИМАНИЕ!** Функцию антирефлюкс можно использовать только при употреблении кровати в качестве отдельной кровати. Эту функцию НЕЛЬЗЯ использовать, если кровать прикреплена к взрослой кровати!
3. Крепление кровати к взрослой кровати осуществляется в следующей последовательности:
- снимите подвижную часть;
- охватите матрас взрослой кровати ремнем безопасности;
- прикрепите оба конца ремня ко дну кровати (1) (Рис. 26), затем прикрепите крючок к боковой стенке кровати (2) (Рис. 26). Потяните ремень, чтобы отрегулировать его длину (3) (Рис. 26).
ВНИМАНИЕ! Из-за риска падения, между нижней частью изделия и матрасом взрослой кровати НЕ должно быть зазора!!! (Рис. 27)
ВНИМАНИЕ! Из-за риска удушья отрегулируйте высоту кровати таким образом, чтобы край матраса взрослой кровати находился над краем подвижной части кровати. Не используйте кровать, если высота родительской кровати составляет менее 50 см или более 80 см над полом (Рис. 28).

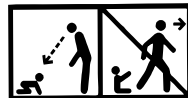
РАЗБОРКА ДЕТСКОЙ КРОВАТКИ

1. Отсоедините ремни безопасности, прикрепленные к кровати для взрослых.
2. Снимите колеса кровати (Рис. 19).
3. Снимите москитную сетку и матрас с кровати.
4. Снимите подвижную часть и извлеките свободную трубку (Рис. 14).
5. Расстегните молнию по всей длине кровати, расположенную на верхней раме.
6. Снимите основной несущий профиль.
7. Снимите обивку с верхней рамы кровати.
8. Снимите продольные и поперечные трубы стойки.
9. Согните обе ножки вместе, чтобы сложить кровать.
10. Поместите в сумку.

VAŽNO PROČITAJTE UPOZORENJE I SAČUVAJTE ZA SLEDEĆU UPOTREBU!



PAŽNJA



- 1. PAŽNJA! NIKAD NE OSTAVITE DETE BEZ NADZORA!**
- 2. PAŽNJA!** Ne koristite ovaj proizvod a da prethodno niste pročitali uputstva za upotrebu!
- 3. PAŽNJA!** Prestanite da koristite krevetić čim dete može da sedne bez pomoći, ustane samostalno ili se podigne na ruke i kolena!
- 4. PAŽNJA!** Postavljanje dodatnih predmeta u proizvod može uzrokovati gušenje.
- 5. PAŽNJA! NE KAŽITE DODATNE PREDMETE (npr. IGRAČKE, KARTE, itd.) U KOTU!**
- 6. PAŽNJA!** Ne stavljajte proizvod u blizini drugog proizvoda koji može predstavljati opasnost od gušenja ili davljenja, npr. kravate, kablova za roletne/zaveses, itd.
- 7. PAŽNJA!** Ne koristite više madraca u proizvodu..
- 8. PAŽNJA!** Budite svesni opasnosti od otvorenog plamena i drugih izvora intenzivne toplote, kao što su električni štednjaci sa reotanim, plinske peći itd., u neposrednoj blizini krevetića (krevetić ili ljuljaška).

BEZBEDNOSNI ZAHTEVI

- 1. PAŽNJA!** Pre prve upotrebe proizvoda, uklonite sve promotivne materijale iz njega, kao i materijale za njihovo pričvršćivanje na proizvod! Svaka plastična ambalaža mora biti uklonjena, uništena ili držana podalje od dece kako bi se izbegao rizik od gušenja.
- Proizvod mora biti postavljen na ravni pod!
- Ne dozvolite maloj deci da se igraju bez nadzora u blizini proizvoda!
- Podmetač-madrac mora biti zaključan u fiksnom položaju kada je dete bez nadzora na njemu!
- Svi pričvršćivači moraju uvek biti čvrsto stegnuti i pazite da ne postoje labavi zavrtnji ili dodaci na koje dete može da pričvrsti delove svog tela ili odeće (npr. Kravate, vrpce, lanci za cucla), što može dovesti do opasnosti od gušenja!
Obavljajte rutinske inspekcije kako biste bili sigurni da nema labavih, oštećenih ili nestalih delova.
- Maksimalna debljina duška je 3 cm, a informacije o maksimalnoj debljini duška naznačene su na oznaci proizvoda, kao i na samom dušku.
- Maksimalna unutrašnja veličina kreveta za koje je namenjen dušek je 84/51 cm.
- Ne koristite krevetić ako je visina roditeljskog kreveta manja od 50 cm ili veća od 80 cm iznad poda (slika 28).
- Ne koristite drveni krevet koji nije onaj koji je isporučen uz proizvod i koji je odobrio proizvođač.
- Ako koristite madrac drugačiji od onog koji je predvidio proizvođač, proverite da li je ispravne debljine i da je pogodan za proizvod. Debljina madraca mora biti takva da unutrašnja visina (od gornje površine madraca do gornje ivice bočnih mesta) iznosi najmanje 200 mm.
- Ako koristite madrac drugačiji od onog koji je predvidio proizvođač, dužina i širina moraju biti takvi da maksimalna udaljenost madraca od bočnih i ivica krevetića ne prelazi 30 mm.
- Moguće je lagano nagnuti bazu krevetića podešavanjem obe noge na različite visine (slika 25). Naginjanje krevetića je dozvoljeno sa maksimalnom visinskom razlikom između dve noge na 2 položaja!
- 13. PAŽNJA! NE** upotrebljavajte krevetić ako bilo koji deo nedostaje ili je oštećen ili slomljen. Kontaktirajte Didis DOO za rezervne delove i uputstva ako je potrebno. **NE** zamenjivati delove!
- Proizvod je spreman za upotrebu samo kada su aktivirani mehanizmi za zaključavanje. Proverite da li su dobro pričvršćeni pre upotrebe!
- Kada je dete bez nadzora u proizvodu u konfiguraciji „krevetića“, pobrinite se da se padajuća stranica uvek podigne i patent u potpunosti pričvršćen!
- Ne koristite krevetić bez okvira!
- Sklapanje, rasklapanje i sklapanje proizvoda treba da vrši SAMO odrasla osoba!

18. Ne koristite proizvod istovremeno za više od jednog deteta.
19. Čuvajte proizvod van domašaja dece kada ga ne koristite.
20. Proverite da li su noge krevetaca potpuno ispružene kada se koriste kao poseban krevetić.
21. NE upotrebljavajte krevetić povezan sa roditeljskim krevetom ako bilo koji deo nedostaje ili je oštećen ili slomljen. Kontaktirajte Didis doo za rezervne delove i uputstva ako je potrebno. **NE** zamenjivati delove!
22. Upotreba proizvoda je dozvoljena samo sa krevetima i / ili dušekom sa ravnim stranama! Upotreba proizvoda sa okruglim krevetima i / ili dušekom ili vodenim krevetima ili dušecima na naduvavanje, itd. **NIJE DOZVOLJENO!**
23. Kada se proizvod koristi u funkciji "Popravi na roditeljskom krevetu", uvek mora biti montiran na dugoj strani pristupa krevetu. NE postavljajte proizvod na glavu ili dno kreveta!
24. **VAŽNO ZA SIGURNOST VAŠE DECE!** Funkcija "Popravi na roditeljskom krevetu" primenjuje se SAMO s onim tipom kreveta koji ispunjavaju sve gore opisane uslove i u ovom odlomku! Posebno, bočni nosač krevetaca uvek treba da bude postavljen blizu madraca za roditelje, a madrac uvek treba da bude poravnat sa visinom bočnog nosača da bi se ograničio kolijevka (Slika 27) Pored toga, krevet mora biti čvrsto pričvršćen na strukturu roditeljskog kreveta ili na nosač madraca (postolje ili okvir madraca).
25. Dečji krevetići povezani s krevetom roditelja nikada se ne smiju koristiti u nagnutom položaju. Ovom funkcijom obje noge moraju uvijek biti podesene na istu visinu!
26. **PAŽNJA!** Kada koristite funkciju proizvoda „Popravi u roditeljskom krevetu“, da se spreči opasnost da se gušenje zaglavi, krevetić povezan sa roditeljskim krevetom mora biti pravilno pričvršćen na roditeljski krevet pomoću sistema za zadržavanje.
27. Sistem za pričvršćivanje je isporučen sa krevetom. Ne koristite drugi sistem za pričvršćivanje.
28. Nikada ne bi trebalo da postoji jaz između donje strane krevetića koji je povezan sa krevetom roditelja i dušeka na krevetu roditelja.
29. Uvek proverite sistem pričvršćivanja pre svake upotrebe!
30. Proverite pričvršćivanje sistema za pričvršćivanje pre svake upotrebe povlačenjem dečijeg kreveta povezanog sa roditeljskim krevetom dalje od roditeljskog kreveta.
31. Ako postoji neki jaz između krevetića spojenog s roditeljskim krevetom i roditeljskog kreveta, NE upotrebljavajte proizvod.
32. Praznine ne treba popunjavati jastucima, ćebadima ili drugim predmetima. To može uzrokovati opasnost od gušenja.
33. Tokom korišćenja pazite da čaršavi, ćebad za roditelje ne uđu i ne prekrivaju unutrašnjost kreveta.
34. **Proizvod treba koristiti samo kada je čvrsto pričvršćen za krevet za odrasle ili kada je pomična strana zaključana u najvišem položaju da se izbegne opasnost od pada deteta.**
35. **OPASNOST!** - Kada krevetić povezan sa roditeljskim krevetom nije pričvršćen za roditeljski krevet, sve njegove strane moraju biti postavljene na svoje mesto i/ili u najvišem položaju. Uvek podignite pokretnu stranu kada krevetić nije pričvršćen za roditeljski krevet.
36. **OPREZ** - Da biste izbegli opasnost da se detetov vrat drži gornjom šinom sa strane pored roditeljskog kreveta, gornja šina ne sme da bude viša od madraca na roditeljskom krevetu (Slika 28).
37. **OPREZ** - Da biste izbegli rizik od davljenja vašeg deteta, sistem vezanosti za roditeljski krevet uvek treba držati dalje od kreveta i van njega.
38. Madrac za roditeljski krevet mora biti postavljen do ili iznad visine pokretne strane u najnižem položaju.
39. Dušek roditeljskog kreveta uvek treba da bude viši od bočne strane kreveta. Ako nije, koristite sistem za podešavanje da biste bili sigurni da je visina ispravna sa obe strane.
40. Pre svake upotrebe, uvek proverite da nema mesta između dušeka roditeljskog kreveta i zida krevetaca. Povucite i zategnite sistem za pričvršćivanje dok se ne vrati dopušteno stanje.
41. Koristite krevetić sa spuštenom stranom samo u funkciji "Popravi u krevetu roditelja".
42. **PAŽNJA!** Držite se dalje od vatre!
43. Specifikacije, boje i sadržaj mogu se razlikovati od onih prikazanih na fotografijama!

EN 1130:2019 + AC:2020; EN 16890:2017+A1:2021

BRIGA I ODRŽAVANJE

UPOZORENJE! U slučaju da koristite krevetac napolje, očistite noge od prašine, kao i ostale delove, jer prašina u mehanizmu za zaključavanje može prouzrokovati ozbiljno oštećenje. U nekim klimatskim uslovima, delovi mogu biti pod uticajem plijesni i plijesni. Da biste to sprečili, ne savijajte i ne čuvajte proizvod ako je vlažan ili vlažan. Proizvod uvek skladištite na dobro provetrenom mestu. Uvek redovno proveravajte delove na slobodne zavrtnje, navrtke i druge elemente za pričvršćivanje i po potrebi zategnite.

Čišćenje. Po potrebi koristite blagi sapun i toplu vodu. Možete oprati ručnoj torbu u toploj vodi, bez peglanja. Ne koristite belilo. Za pranje tkanina pažljivo sledite uputstva na etiketi. Za čišćenje ne koristite rastvarače, abrazive ili korozivne proizvode.

UPOZORENJE! Ne ostavljajte obimne predmete u krevetu, koji mogu pomoci detetu da se prebaci iznad pregradnih mreža. Ne postavljajte krevetac blizu grejnih tela, jer to može prouzrokovati oštećenje plastičnih i tekstilnih delova.

UPOZORENJE! Za pravilni eksploataciju i čuvanje Vašeg kreveta pažljivo pročitajte ova uputstva i pridržavajte se striktno ih!

Korišćeni materijali: plastika, tekstil, metal, MDF.

DELOVI

Slika 1

1. Dušek	- 1 kom.	6. Pokretna stranica	- 1 kom.
2. Gornji okvir	- 1 kom.	7. Glavni profil podrške	- 1 kom.
3. Dugme za podešavanje visine	- 2 kom.	8. Tapaciranje	- 1 kom.
4. Glavni aluminijumski okvir	- 1 kom.	9. Točkovi	- 4 kom.
5. Donje poprečne i uzdužne potporne cevi	- 4 kom.	10. Korpa za pribor (prtljažnik)	- 1 kom.
		11. Komarnik	- 1 kom.
		12. Sigurnosni pojas	- 1 kom.
		13. Torba za nošenje	- 1 kom.

MONTIRANJE KREVIČA

1. Izvadite krevetić iz torbe.

2. Rasklopite okvir krevetića nakon podizanja i okretanja nogu prema spolja, tako da kada su noge uspravne, markeri nivoa budu spolja (slika 2).

3. Prođite uzdužne i poprečne cevi u rupe u oblogu korpe za dodatnu opremu (Slika 3) Pažnja! Orijentišite igle cevi tako da pokazuju prema rupama namenjenim za ugradnju. Ugradite donje uzdužne i poprečne cevi prtljažnika sve dok igla ne prođe kroz plastične rupe na nogama (Slika 4,5,6).

4. Uklonite plastične štitnike sa obe strane glavnog profila podrške pričvršćenog za presvlake (slika 7). Ugradite presvlake na gornje cevi krevetića, a zatim je pričvrstite patentnim zatvaračem. Sastavite glavni profil podrške na bočne otvore obe noge i uverite se da je igla pravilno postavljena i sigurno pričvršćena za nogu (slika 8,9).

5. Provucite slobodnu cev, koja je deo gornjeg okvira, kroz otvor na padajućoj strani presvlake (ako se prati, pritisnite dugmad odozdo i otpustite je). Postavite slobodne krajeve cevi na okvir krevetića tako da tasteri za otključavanje budu okrenuti prema dole (slika 10), a zatim pričvrstite patentne zatvarače pregrade sa obe strane mreže (slika 11,12).

6. Da biste uklonili pokretnu stranicu, obratite pažnju na sledeći redosled:

- otkopčajte patentne zatvarače sa obe strane (slika 11).

- pritisnite dugmad na dnu cevi da biste je oslobodili (Slika 13,14) i zakačite je za bočne trake (Slika 15,16).

7. Podignite noge krevetića i ugradite osovine točkova u rupe dok se ne čuje "klik" (Slika 17,18). Da biste uklonili točak, pritisnite dugme koje se nalazi na unutrašnjoj strani noge prema unutra i povucite točak prema dole (Slika 19). Da biste aktivirali kočnicu na točku, pritisnite ručicu prema dole (Slika 20) i otpustite je prema gore (Slika 21).

8. Montirajte mrežu protiv komaraca na gornji okvir korpe (slika 22).

UPOTREBA

1. Podešavanje visine. Visina se može podesiti u 7 položaja pomoću dva dugmeta koja se nalaze na bočnoj strani okvira (Slika 23). Podesite do željenog stepena, a zatim zategnite zavrtnje za zaključavanje na dugmadima odvijačem (nije uključen) kako biste osigurali maksimalnu stabilnost (Slika 24).

2. Anti-refluks funkcija (protiv gušenja deteta) - krevetić se može nagnuti sa razlikom od maksimalno 2 položaja u visini između nogu sa obe strane (slika 25). **UPOZORENJE!** Glava deteta uvek mora biti postavljena na višu stranu! **UPOZORENJE!** Funkcija protiv refleksa može se koristiti samo kada se krevetić koristi kao poseban krevet. Ova funkcija se NE može koristiti kada je krevetić pričvršćen za krevet Odraslih!

3. Fiksiranje krevetića na krevet za odrasle u sledećem redosledu:

- uklonite pokretnu stranicu;
- pokrijte dušek kreveta za odrasle sigurnosnim pojasom;
- pričvrstite oba kraja pojasa na dno krevetića (1) (Slika 26), a zatim pričvrstite kuku na bočnu stranu kreveta (2) (Slika 26).

PAŽNJA! Zbog rizika od pada, NE bi trebalo da postoji jaz između donje strane proizvoda i duška kreveta za odrasle !! (Slika 27)

PAŽNJA! Zbog opasnosti od gušenja, podesite visinu krevetića tako da ivica duška na krevetu za odrasle bude iznad ivice uklonjive strane krevetića. Ne koristite krevetić ako je visina roditeljskog kreveta manja od 50 cm ili veća od 80 cm iznad poda (slika 28).

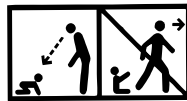
DEMONTAŽA KREVETIČA

1. Otkočite pojaseve montirane na krevet za odrasle.
2. Demontirajte točkove na krevetiću (Slika 19).
3. Uklonite mrežu protiv komaraca i dušek iz kreveta deteta.
4. Uklonite odvojivu stranicu i uklonite slobodnu cev (slika 14).
5. Otkopčajte patentni zatvarač duž krevetića koji se nalazi na gornjem okviru.
6. Demontirajte glavni profil podrške.
7. Uklonite presvlake sa gornjeg okvira krevetića.
8. Demontirajte uzdužne i poprečne cevi prtljažnika.
9. Savijte obe noge jedna prema drugoj da biste preklopili krevetac.
10. Stavite u torbu.

IMPORTANT CITIȚI CU ATENȚIE ȘI PĂSTRAȚI PENTRU CONSULTĂRI VIITOARE !

RO

ATENȚIE



- 1. ATENȚIE ! NICIODATĂ NU LĂSAȚI COPILUL FĂRĂ SUPRAVEGHERE !**
- 2. ATENȚIE !** Nu folosiți acest produs înainte de a citi instrucțiunile de utilizare !
- 3. ATENȚIE !** Sistați folosirea pătuțului pentru copii de îndată ce copilul poate să stea șezat fără ajutor, să se ridice singur sau să se ridice pe mâini și genunchi !
- 4. ATENȚIE !** Introducerea unor obiecte suplimentare în produs ar putea provoca sufocare.
- 5. ATENȚIE ! NU AȘEZAȚI PE PĂTUȚUL PENTRU BEBELUȘI OBIECTE SUPLIMENTARE (DE EX. JUCĂRII, PERNE, ETC.)!**
- 6. ATENȚIE !** Nu amplasați produsul în apropierea altor produse, care ar putea reprezenta pericol de sufocare, de exemplu șireturi, șnururi pentru jaluzele/ perdele, etc.
- 7. ATENȚIE !** Nu folosiți mai mult de o saltea pe produs.
- 8. ATENȚIE !** Țineți cont de pericolul flăcărilor deschise și a altor surse de căldură intensă, cum ar fi sobele electrice cu fire, sobe pe gaz etc. în imediata apropiere a pătuțului pentru copii (pătuț sau leagăn).

CERINȚE DE SIGURANȚĂ

- 1. ATENȚIE!** Înainte de a utiliza produsul pentru prima dată, îndepărtați toate materialele publicitare de pe produs, precum și materialele pentru atașarea acestora la produs ! Orice ambalaj din plastic trebuie îndepărtat, distrus sau ținut departe de copii pentru a evita riscul de sufocare.
2. Produsul trebuie așezat pe o pardosea egală !
3. Nu permiteți copiilor mici a se juca fără supraveghere în apropierea produsului !
4. Pătuțul pentru bebeluși trebuie să fie blocat într-o poziție fixată, când copilul este lăsat fără supraveghere în incinta sa !
5. Toate elementele de fixare trebuie să fie bine strânse, trebuie acordată atenție prezenței șirurilor sau elementelor de conectare slăbite, pe care copilul ar putea agăța părți ale corpului sau hainele sale (de exemplu: șnururi, panglici, lanțuri pentru suzete), care ar putea provoca riscul de sufocare !
Efectuați verificări de rutină pentru a vă asigura că nu sunt prezente piese slăbite, defectate sau lipsă.
6. Grosimea maximă a saltelei este 3 cm. Informații despre grosimea maximă a saltelei sunt indicate pe eticheta produsului, precum și pe saltea în sine.
7. Mărimea maximă din interiorul pătuțului pentru bebeluși pentru care este destinată saltea este 84/51 cm.
8. Nu folosiți pătuțul pentru copii dacă înălțimea patului părinților este mai mică de 50 cm sau mai mare de 80 cm deasupra podelei (Imagine 28).
9. Nu folosiți o saltea pentru pătuțul de bebeluși care este diferită de cea livrată împreună cu produsul și aprobată de producătorul
10. Dacă folosiți o saltea diferită de cea furnizată de producătorul, asigurați-vă că este de grosimea corectă și este potrivită pentru produsul. Grosimea saltelei trebuie să asigure o înălțime din interior (de la suprafața superioară a saltelei până la marginea superioară a laturilor pătuțului pentru bebeluși) de minim 200 mm.
11. Dacă folosiți o saltea, diferită de cea furnizată de producător, lungimea și lățimea ale sale trebuie să asigure o distanță maximă între saltea și laturile și marginile pătuțului care nu trebuie să depășească 30 mm.
12. Este posibil să înclinați ușor baza pătuțului ajustând cele două picioare la înălțimi diferite (Imagine 25). Înclinarea pătuțului este permisă cu o diferență maximă de înălțime între cele două picioare de 2 poziții ! ATENȚIE! Capul copilului trebuie să fie întotdeauna poziționat pe partea mai înaltă!
13. **ATENȚIE !** NU folosiți pătuțul pentru bebeluși dacă are unele piese lipsă, defectate sau rupte. Contactați firma „Didis“ OOD pentru procurarea pieselor de schimb și instrucțiunilor, dacă este cazul. NU înlocuiți piesele !
14. Produsul este gat de utilizare doar după acționarea mecanismelor de blocare. Asigurați-vă că acestea sunt bine fixate înainte de utilizare !

15. Când copilul este lăsat fără supraveghere în produs în configurația „pătuț”, asigurați-vă că latura detașabilă întotdeauna este ridicată și că fermoarele sunt complet închise !
16. Nu folosiți pătuțul pentru bebeluși fără cadrul !
17. Montarea, desfășurarea și plierea produsului trebuie efectuate DOAR de către un adult !
18. Produsul poate fi folosit pentru un singur copil în același timp.
19. Depozitați produsul în locuri inaccesibile copiilor când nu este folosit.
20. Asigurați-vă că picioarele pătuțului pentru bebeluși sunt complet întinse când este folosit ca un pătuț individual.
21. NU folosiți pătuțul conectat cu patul părinților, dacă are unele piese lipsă, defectate sau rupte. Contactați firma „Didis” OOD pentru piese de schimb și instrucțiuni, dacă este cazul. NU înlocuiți piesele !
22. Folosirea produsului este permisă doar cu paturi și/sau saltele cu laturile drepte ! Folosirea produsului cu paturi și/sau saltele cu laturi rotungite sau cu saltele gonflabile, etc. NU ESTE PERMISĂ !
23. Dacă produsul este folosit cu funcția „Fixare la patul părinților”, acesta trebuie montat întotdeauna la latura lungă de acces la patul respectiv. NU fixați produsul din partea capului sau fundului patului !
24. **IMPORTANT PENTRU SIGURANȚA COPILULUI DVS. !** Funcția „Fixare la patul părinților” este aplicabilă DOAR cu tipurile de paturi care corespund tuturor condițiilor descrise mai sus și în acest paragraf ! În special, suportul lateral al pătuțului pentru bebeluși întotdeauna trebuie așezat aproape de saltea părinților, iar înălțimea saltelei întotdeauna trebuie egalizată cu înălțimea suportului lateral pentru limitarea pătuțului (Imagini 27). În plus, pătuțul pentru bebeluși trebuie să fie bine fixat la construcția patului părinților sau la suportul de saltea (suport sau cadru de saltea).
25. Pătuțurile conectate paturilor părinților niciodată nu trebuie folosite în poziție înclinată. La această funcție ambele picioare întotdeauna trebuie să fie reglate la aceeași înălțime !
26. **ATENȚIE !** Dacă folosiți funcția produsului „Fixare la patul părinților”, pentru prevenirea pericolului de sufocare din cauza blocării, pătuțul conectat patului părinților trebuie să fie fixat în mod corespunzător patului părinților, prin sistemul de fixare.
27. Sistemul de fixare este furnizat împreună cu pătuț. Nu folosiți alte sisteme de fixare.
28. Niciodată nu trebuie să existe un spațiu liber între partea inferioară a pătuțului, conectat patului părinților și saltea patului părinților.
29. Întotdeauna verificați sistemul de fixare înainte de fiecare utilizare !
30. Verificați dacă sistemul de fixare este bine strâns înainte de fiecare utilizare, prin tragerea pătuțului conectat patului părinților în direcția laterala patului părinților.
31. La prezența unui spațiu liber între pătuțul conectat patului părinților și patul părinților, NU folosiți produsul.
32. Spațiile libere nu trebuie umplute cu perne, păaturi sau alte obiecte. Aceasta ar putea provoca riscul de sufocare.
33. În timpul folosinței, asigurați-vă că cearșeurile, păturile pentru părinții nu intră în și nu acoperă pătuțul pentru bebeluși.
34. Produsul trebuie folosit doar după ce este bine fixat la patul de adulți sau dacă latura detașabilă este blocată în poziția sa superioară, pentru prevenirea riscului de cădere a copilului.
35. **PERICOL !** – Dacă pătuțul, conectat patului părinților nu este fixat patului părinților, toate laturile sale trebuie să fie montate și/sau în poziția lor superioară. Întotdeauna ridicați complet latura detașabilă dacă pătuțul nu este fixat patului părinților.
36. **ATENȚIE** – A se preveni pericolul de prindere a gâtului copilului de șina superioară a laturii pătuțului, care este lângă patul părinților, șina superioară nu trebuie să fie la o înălțime mai mare de saltea patului părinților (Imagine 28).
37. **ATENȚIE** – Pentru a preveni riscul de sufocare a copilului dvs., sistemul de fixare la patul părinților întotdeauna trebuie ținut la distanța de pătuțul pentru bebeluși și în afara acestuia.
38. Saltea pentru patul părinților trebuie aliniată sau să fie peste înălțimea laturii detașabile ale pătuțului în poziție cea mai inferioară.
39. Saltea patului părinților întotdeauna trebuie să fie la o înălțime mai mare de latura pătuțului. Dacă nu este, folosiți sistemul de reglare pentru a vă asigura că înălțimea este corectă pentru ambele laturi.
40. Înainte de fiecare utilizare, întotdeauna verificați dacă există spațiu liber între saltea patului părinților și latura pătuțului pentru bebeluși. Trageți și strângeți sistemul de fixare până la refacerea distanței permise.
41. Folosiți pătuțul cu latura lăsată în jos doar cu funcția „Fixare la patul părinților”
42. **ATENȚIE!** Feriți de foc !
43. Specificațiile, culorile și conținutul ar putea diferi de cele prezentate în imagini!

EN 1130:2019 + AC:2020; EN 16890:2017+A1:2021

ÎN ȚREȚINERE ȘI ÎNGRIJIRE

AVERTISMENT! Dacă utilizați pătuțul în spații exterioare, vă rugăm să curățați cu atenție toate componentele după fiecare utilizare. Unele condiții meteo ar putea cauza afectarea pieselor de mușgai și alge. Pentru prevenirea apariției acestora, nu pliați și nu lăsați produsul spre păstrare dacă este umed sau ud. Întotdeauna păstrați produsul în locuri cu ventilație bună. Întotdeauna verificați piesele pentru prezența unor șuruburi, piulițe și alte elemente de îmbinare slăbite, dacă este cazul, ele trebuie strânse.

Curățarea. Pentru curățare utilizați apă cu săpun sau detergent biodegradabil. Spălați manual sacul cu apă și săpun. Nu călcați. Nu înălbiți. La spălarea pieselor din textil respectați instrucțiunile menționate pe eticheta. Pentru curățarea acestora nu folosiți solvenți, produse abrazive sau produse agresive.

AVERTISMENT! Nu plasați în interiorul pătuțului obiecte voluminoase, care l-ar putea ajuta pe copil să sară din pătuț. Nu plasați pătuțul în apropierea aparatelor de încălzire, deoarece acestea pot deteriora plasticul și materialul textil.

AVERTISMENT! Utilizați pătuțul în conformitate cu aceste instrucțiuni.

Materiale folosite: Material plastic, textil, metal, MDF

PIESE

Figura 1

1. Saltea	- 1 buc.	6. Latura detașabilă	- 1 buc.
2. Cadru superior	- 1 buc.	7. Profil de susținere principal	- 1 buc.
3. Buton pentru reglarea înălțimii	- 2 buc.	8. Tapițerie	- 1 buc.
4. Cadru principal din aluminiu	- 1 buc.	9. Roți	- 4 buc.
5. Tuburi de susținere inferioare transversale și longitudinale	- 4 buc.	10. Coș accesorii (suport de bagaje)	- 1 buc.
		11. Plasă de țăntări	- 1 buc.
		12. centură de siguranță	- 1 buc.
		13. Geantă de transport	- 1 buc.

INSTALAREA PĂTUȚULUI PENTRU COPII

1. Scoateți pătuțul pentru copii din geantă.

2. Desfaceți cadrul pătuțului după ridicarea și rotirea picioarelor în afară, astfel încât, atunci când picioarele sunt în poziție verticală, marcatoarele de nivel să fie în exterior (Imagine 2).

3. Treceți tuburile longitudinale și transversale prin orificiile din tapițeria coșului de accesorii (Imagine 3) Atenție! Orientați știfturile tuburilor astfel încât să îndreptate către orificiile de instalare desemnate. Instalați tuburile inferioare longitudinale și transversale ale suportului de bagaje până când știftul iese prin orificiile de plastic din picioarele (Imagine 4,5,6).

4. Scoateți apărătoarele din plastic de pe ambele părți ale profilului de sprijin principal atașat la tapițeria (Imagine 7). Instalați tapițeria pe tuburile superioare ale pătuțului, apoi închideți-o cu fermoar. Asamblați profilul de suport principal la orificiile laterale ale ambelor picioare, asigurați-vă că știftul este instalat corect și fixat bine de picior (Imagine 8,9). Atenție! Pentru a scoate profilul de susținere, apăsați butoanele situate pe partea inferioară a picioarelor.

5. Treceți tubul liber care face parte din cadrul superior prin orificiul de pe latura detașabilă a tapițeriei (dacă este instalat, apăsați butoanele din partea de jos și eliberați-l). Așezați capetele libere ale tubului pe cadrul pătuțului astfel încât butoanele de eliberare să fie îndreptate în jos (Imagine 10), apoi fixați fermoarele pereții despărțitori de pe ambele părți ale plasei (Imagine 11,12).

6. Pentru scoaterea laturii detașabile, respectați următoarea secvență:

- desfaceți fermoarele de pe ambele părți (Imagine 11).

- apăsați butoanele de la capătul inferior al tubului pentru a-l elibera (Imagine 13,14) atașați-l de curelele laterale (Imagine 15,16).

7. Ridicați picioarele pătuțului și instalați axele roților în orificii până când auziți un „Clic” (Imagine 17,18). Pentru a scoate roata, apăsați butonul din interiorul piciorului spre interior și trageți roata în jos (Imagine 19). Pentru a activa frâna roții, împingeți maneta în jos (Foto 20), iar pentru a o elibera în sus (Imagine 21).

8. Instalați plasa de țăntări pe cadrul superior al coșului (Imagine 22).

EXPLOATARE

1. Reglarea înălțimii. Înălțimea poate fi reglată în 7 poziții cu ajutorul celor două butoane situate pe partea laterală a cadrului (Imagine 23). Reglați la treapta dorită, apoi strângeți șuruburile de blocare ale butoanelor cu o șurubelniță (nu este inclusă în set) pentru a asigura stabilitate maximă (Imagine 24).

2. Funcție anti-reflux (împotriva înecării copilului) - pătuțul poate fi inclinat cu o diferență de maxim 2 poziții de înălțime între picioare de pe ambele părți (Imagine 25). ATENȚIE! Capul copilului trebuie mereu poziționat pe partea superioară! ATENȚIE! Funcția anti-reflux poate fi folosită doar atunci când utilizați pătuțul pentru copii ca un pat individual. Această funcție NU poate fi utilizată când pătuțul este fixat pe patul pentru adulți!

3. Fixarea pătuțului de patul pentru adulți în următoarea secvență:

- scoateți latura detașabilă;

- înfășurați centura de siguranță în jurul saltelei patului pentru adulți;

- fixați ambele capete ale centurii de fundul pătuțului (1) (Imagine 26), apoi atașați cârligul de prindere pe latura patului (2)(Imagine 26).

Trageți de centură pentru a-i regla lungimea (3)(Imagine 26).

ATENȚIE ! Din cauza riscului de cădere, nu ar trebui să existe niciun spațiu între partea inferioară a produsului și salteaua patului pentru adulți !!! (Imagine 27)

ATENȚIE! Din cauza riscului de sufocare, reglați înălțimea pătuțului astfel încât marginea saltelei patului pentru adulți să fie deasupra marginii laterii detașabile a pătuțului. Nu folosiți pătuțul pentru copii dacă înălțimea patului părinților este mai mică de 50 cm sau mai mare de 80 cm deasupra podelei (Imagine 28).

DEZINSTALAREA PĂTUȚULUI PENTRU COPII

1. Desfaceți curelele montate pe patul pentru adulți.

2. Scoateți roțile pătuțului (Imagine 19).

3. Scoateți plasa de țânțari și salteaua din pătuțul pentru copii.

4. Scoateți pagina detașabilă și scoateți tubul liber (Imagine 14).

5. Desfaceți fermoarul de-a-lungul pătuțului situat pe cadrul superior.

6. dezinstalați profilul principal de suport.

7. Scoateți tapițeria din cadrul superior al pătuțului.

8. Dezasamblați tuburile longitudinale și transversale ale suportului de bagaje.

9. Îndoiți ambele picioare împreună pentru a plia pătuțul.

10. Puneți în geantă.

Unic importator in Romania DIDIS INTERNATIONAL Strada Sfântul Pantelimon nr. 1

Oras Pantelimon Judetul Ilfov Phone: +40 21 211 65 60 Fax: +40 21 210 65 62

E-mail: office@didis.ro

LEES DE INSTRUCTIES GOED DOOR EN BEWAAR DEZE HANDLEIDING VOOR TOEKOMSTIG GEBRUIK!

NL

AANDACHT



1.AANDACHT! LAAT HET KIND NOOIT ZONDER TOEZICHT ACHTER!

2.AANDACHT! Gebruik dit product niet zonder eerst de gebruiksaanwijzing te hebben gelezen!

3.AANDACHT! Gebruik het kinderbedje niet meer zodra het kind in staat is om zelfstandig te zitten, zich om te draaien of zichzelf op handen en knieën op te tillen!

4.AANDACHT! Het plaatsen van andere voorwerpen in het product kan verstikking veroorzaken.

5.AANDACHT! PLAATS GEEN ANDERE OBJECTEN (bijv. SPEELGOED, KUSSENS, ENZ.) IN DE WIEG!

6.AANDACHT! Plaats het product niet in de buurt van een ander product dat verstikkingsgevaar of verstikkingsgevaar kan opleveren, bijv. dassen, koorden voor jaloezieën/gordijnen, enz.

7.AANDACHT! Gebruik niet meer dan één matras in het product.

8.AANDACHT! Let op mogelijk gevaar van open vuur en andere bronnen van intense hitte, zoals elektrische kachels, gaskachels enz. in de directe nabijheid van het kinderbedje (wieg of schommel).

VEILIGHEIDSEISEN

1.WAARSCHUWING! Verwijder voor het eerste gebruik alle reclamematerialen en de materialen die dienen om deze aan het product te bevestigen! Alle kunststofverpakkingen moeten worden verwijderd, vernietigd of buiten het bereik van kinderen worden gehouden om verstikkingsgevaar te voorkomen.

2.Het product moet op een vlakke vloer worden geplaatst!

3.Laat kleine kinderen nooit zonder toezicht in de buurt van het product spelen!

4.De wieg moet op een vaste plaats worden vergrendeld als u kind zonder toezicht achterlaat!

5.Alle bevestigingen moeten altijd stevig worden vastgedraaid en er moet voor worden gezorgd dat er geen losse schroeven of hulpstukken zijn waar het kind delen van zijn lichaam of kleding aan kan komen vast te zitten (bijv. veters, linten, fopspeenkettingen), of die verstikkingsgevaar kunnen veroorzaken! Controleer regelmatig om er zeker van te zijn dat er geen losse, defecte of ontbrekende onderdelen zijn.

6.De maximaal toegelaten dikte van het matras is 3 cm. Informatie over de maximale dikte van het matras staat vermeld zowel op het productlabel als op het matras zelf.

7.De maximale binnenmaat van de wieg waarvoor de matras bedoeld is, is 84/51 cm.

8.Gebruik het kinderbedje niet als de hoogte van het bed van de ouders minder dan 50 cm of meer dan 80 cm boven de vloer ligt (Afbeelding 28).

9.Gebruik geen andere matras dan de matras die bij het product is geleverd en door de fabrikant is goedgekeurd.

10.Als u een matras gebruikt die anders is dan het matras die door de fabrikant mee is geleverd, zorg er wel voor dat hij met de juiste dikte is. De dikte van de matras moet zo zijn dat de binnenhoogte (van het bovenoppervlak van de matras tot de bovenkant van de zijkanten van de wieg) ten minste 200 mm bedraagt.

11.Als u een matras gebruikt die anders is dan de matras die door de fabrikant mee is geleverd, moet de maximale afstand tussen de matras en de uiteinden van de wieg niet meer dan 30 mm zijn.

12.Het is mogelijk om de onderkant van het kinderbedje iets te kantelen door de twee poten op verschillende hoogtes te zetten (Afbeelding 25). Het kantelen van het kinderbedje is toegestaan mits het maximale hoogteverschil tussen de twee poten 2 posities is! **WAARSCHUWING!** Het kind moet met zijn hoofd altijd aan de hogere kant liggen.

13. AANDACHT! Gebruik de wieg NIET in geval van ontbrekende, beschadigde of defecte onderdelen. Neem indien nodig contact op met Didis OOD voor reserveonderdelen en instructies. Vervang GEEN onderdelen!

14. Het product is pas klaar voor gebruik wanneer de vergrendelingsmechanismen zijn geactiveerd. Zorg ervoor dat ze goed vast zitten voordat u het product gebruikt!

15. Als het kind zich zonder toezicht in het product bevindt, terwijl het in een wieg-configuratie is ingesteld, zorg er dan voor dat de vallende zijkant altijd omhoog staat en dat de ritsen volledig vast zitten!

16. Gebruik de wieg niet zonder het frame!

17. Het monteren, het uitvouwen en het vouwen van het product dient ALLEEN door een volwassene te worden uitgevoerd!

18. Plaats nooit meer dan één kind tegelijk in het product.

19. Houd het product buiten het bereik van kinderen wanneer het niet in gebruik is.

20. Zorg ervoor dat de poten van de wieg volledig zijn uitgeschoven als u ze als een losstaande wieg gebruikt.

21. Bevestig de wieg **NIET** aan het ouderlijke bed in geval van ontbrekende, beschadigde of defecte onderdelen. Neem indien nodig contact op met Didis OOD voor reserveonderdelen en instructies. Vervang GEEN onderdelen!

22. Het gebruik van het product is enkel toegestaan met bedden en/of matrassen met rechte zijkanten! Het gebruik van het product met ronde bedden en/of matrassen, waterbedden of opblaasbare matrassen etc. is **NIET TOEGESTAAN!**

23. Wanneer het product wordt gebruikt in de instelling "Bevestiging aan het ouderlijke bed", moet het altijd aan de lange zijde van het bed worden bevestigd. Bevestig het product NIET aan de hoofdzijde of aan de voetzijde van het bed!

24. BELANGRIJKE INFORMATIE VOOR DE VEILIGHEID VAN UW KIND! De instelling "Bevestiging aan het ouderlijke bed" is ALLEEN van toepassing op het type bedden die voldoen aan alle voorwaarden hierboven en aan de voorwaarden van deze paragraaf! In het bijzonder moet de zijsteun van de wieg altijd dicht bij de matras van de ouders worden geplaatst en de matras moet altijd worden uitgelijnd met de hoogte van de zijsteun om de wieg te beperken (Afbeelding 27). Daarnaast moet de wieg stevig worden vastgemaakt aan de structuur van het ouderlijke bed of aan de matrasbodem (onderstel of matrasbodem).

25. De wiegjes die aan het ouderlijke bed worden bevestigd, mogen nooit schuin worden gebruikt. Bij deze functie moeten beide poten altijd op dezelfde hoogte worden ingesteld!

26. AANDACHT! Om verstikkingsgevaar te voorkomen, moet het wiegje dat middels de functie "Bevestiging aan het ouderlijke bed" aan het ouderlijke bed wordt bevestigd, op een correcte manier met behulp van het beveiligingssysteem aan het ouderlijke bed worden vastgemaakt.

27. Het bevestigingssysteem wordt met het wiegje meegeleverd. Gebruik geen ander bevestigingssysteem.

28. Er mag nooit een opening zijn tussen de onderkant van de wieg, die is verbonden met het ouderlijke bed, en de matras van het ouderlijke bed

29. Controleer het bevestigingssysteem voor elk gebruik!

30. Controleer voor elk gebruik of het systeem goed is bevestigd door het wiegje van het ouderlijke bed te trekken.

31. Gebruik het product niet als u een opening tussen het wiegje en het ouderlijke bed vaststelt.

32. Vul de openingen niet met kussens, dekens en andere voorwerpen. Dit kan verstikkingsgevaar opleveren.

33. Zorg ervoor dat tijdens het gebruik van het wiegje de lakens en de dekens van het ouderlijke bed de binnenkant van het wiegje niet dekken.

34. Het product mag alleen worden gebruikt als het goed aan het ouderlijke bed is bevestigd of als de vallende zijkant op de hoogste positie is vergrendeld zodat het kind niet kan vallen.

35. GEVAAR! - Als het wiegje niet aan het ouderlijke bed is bevestigd, moeten alle zijkanten op hun plaats worden gemonteerd en/of op hun hoogste posities worden vergrendeld. Zorg ervoor dat de vallende zijkant altijd op de hoogste positie is vergrendeld als de wieg niet aan het ouderlijke bed is bevestigd.

36. AANDACHT – om te voorkomen dat de nek van het kind tussen de bovenste rail van de zijkant, die aan het ouderlijke bed is bevestigd, komt vast te zitten, moet de bovenste rail niet hoger liggen dan de matras van het ouderlijke bed (Afbeelding 28).

37. AANDACHT – om verwurgingsgevaar te voorkomen moet het bevestigingssysteem altijd buiten en uit de buurt van het wiegje worden gehouden.

38. De matras van ouderlijke bed moet worden uitgelijnd met of boven de hoogte van de vallende zijkant in zijn laagste positie.

39. De matras van het ouderlijke bed moet altijd hoger liggen dan de zijkant van de wieg. Indien dit niet het geval is, gebruik het regelsysteem om te verzekeren dat de hoogte aan beide zijden correct is.

40. Controleer voor elk gebruik of er geen ruimte is tussen de matras van het ouderlijke bed en de zijkant van de wieg. Trek aan het bevestigingssysteem en draai het vast totdat de toegestane toestand is bereikt.

41. Als de zijkant open is, mag het wiegje slechts worden gebruikt in de instelling "Bevestiging aan het ouderlijke bed".

42. **WAARSCHUWING!** Verwijderd houden van vuur!

43. De specificaties, de kleuren en de inhoud kunnen afwijken van de wat er op de afbeeldingen is weergegeven!

EN 1130:2019 + AC:2020; EN 16890:2017+A1:2021

VERZORGING EN ONDERHOUD

WAARSCHUWING! Als u de box buitenshuis hebt gebruikt, reinig dan het aan de poten en aan de andere elementen vastgeplakte stof, omdat dit het slotmechanisme ernstig kan beschadigen. In sommige klimaatomstandigheden kunnen onderdelen door schimmel en meeldauw worden aangetast. Om dit te voorkomen, vouw of bewaar het product niet als het vochtig of nat is. Bewaar het product altijd op een goed geventileerde plaats. Controleer de onderdelen altijd regelmatig op losse schroeven, moeren en andere bevestigingselementen en draai ze indien nodig vast.

Schoonmaken. Gebruik zachte zeep en warm water indien nodig. Het wassen van de tas kan handmatig worden gedaan in warm water zonder die te strijken. Gebruik geen bleekmiddel. Volg zorgvuldig de instructies op het etiket voor het wassen van stoffen. Gebruik voor het reinigen geen oplosmiddelen, schuurmiddelen of bijtende producten.

WAARSCHUWING! Plaats geen volumineuze voorwerpen in de box die het kind zouden kunnen helpen over de scheidingsnetten te rollen. Plaats de box niet in de buurt van kachels, omdat dit de plastic en textielonderdelen zou kunnen beschadigen.

WAARSCHUWING! Lees deze gebruiksaanwijzing aandachtig door en volg deze zorgvuldig op voor een goede werking en opslag van uw box!

Gebruikte materialen: plastic, textiel, metaal, MDF.

ONDERDELEN

Afbeelding 1

- | | |
|--|-------|
| 1. Matras | - x 1 |
| 2. Bovenframe | - x 1 |
| 3. Knoop voor hoogteverstelling | - x 2 |
| 4. Hoofdframe van aluminium | - x 1 |
| 5. Onderste langs- en dwarssteunbuizen | - x 4 |

- | | |
|--------------------------------|-------|
| 6. Afneembare zijwand | - x 1 |
| 7. Hoofdsteunprofiel | - x 1 |
| 8. Bekleding | - x 1 |
| 9. Wielen | - x 4 |
| 10. Accessoires- (bagage-)mand | - x 1 |
| 11. Muggenret | - x 1 |
| 12. Veiligheids gordel | - x 1 |
| 13. Draagtas | - x 1 |

HET KINDERBEDJE MONTEREN

1. Haal het kinderbedje uit de tas.

2. Klap het frame van het kinderbedje uit nadat u de poten hebt opgetild en naar buiten hebt gedraaid. De niveauaanduidingen moeten zich met de poten recht aan de buitenkant bevinden (Afbeelding 2).

3. Leid langs- en dwarsbuizen in de openingen in de bekleding van de accessoiremand (Afbeelding 3) **Waarschuwing!** Richt de buispennen zo dat ze naar de aangegeven montageopeningen wijzen. Bevestig de onderste langs- en dwarsbuizen van de bagagemand totdat de pen door de kunststofopeningen in de poten steekt (Afbeelding 4, 5, 6).

4. Verwijder de kunststofbeschermmoppen aan beide zijden van het hoofdsteunprofiel dat aan de bekleding is bevestigd (Afbeelding 7). Bevestig de bekleding op de bovenbuizen van het bedje en rits deze vervolgens dicht. Bevestig het hoofdsteunprofiel aan de zijopeningen van beide poten en zorg ervoor dat de pin correct is gemonteerd en stevig aan de poot is bevestigd (Afbeelding 8, 9). **Waarschuwing!** Om het steunprofiel te verwijderen, druk op de knoppen aan de onderkant van de poten.

5. Steek de vrije buis die bij het bovenste frame hoort, door de opening op de afneembare zijwand van de bekleding (als deze reeds is gemonteerd, druk op de knoppen aan de onderkant en laat u deze los). Plaats de vrije uiteinden van de buis tegen het frame van het bedje met de ontgrendelingsknoppen naar beneden gericht (Afbeelding 10). Maak vervolgens de scheidingsritsen aan beide zijden van het net vast (Afbeelding 11, 12).

6. Volg de onderstaande stappen om de afneembare zijwand te verwijderen:

- open de ritsen aan beide zijden (Afbeelding 11).

- druk op de knoppen aan de onderkant van de uiteinden van de buis om deze los te maken (Afbeelding 13, 14) en haak deze aan de zijriemen (Afbeelding 15, 16).

7. Breng de poten van het bedje naar omhoog en monteer de assen van de wieltjes in de openingen totdat u een klikgeluid hoort (Afbeelding 17, 18). Om het wieltje te verwijderen, duw de knop aan de binnenkant van de poot naar binnen en trek het wieltje naar beneden (Afbeelding 19). Om de rem te activeren, duw de hendel naar beneden (Afbeelding 20). Om de rem te ontgrendelen, trek de hendel naar boven (Afbeelding 21).
8. Monteer het muggennet op het bovenste frame van de wieg (Afbeelding 22).

WERKING

1. Hoogteverstelling De hoogte kan in 7 standen worden versteld met behulp van de twee knoppen aan de zijkant van het frame (Afbeelding 23). Kies de gewenste stand en draai vervolgens de borgschroeven van de knop vast met een schroevendraaier (niet meegeleverd) om een maximale stabiliteit te garanderen (Afbeelding 24).
2. Anti-refluxfunctie (tegen verstikking van het kind) - het kinderbedje kan gekanteld worden met een maximaal verschil van 2 hoogteposities tussen de poten aan beide zijden (Afbeelding 25). **WAARSCHUWING!** Het kind moet met zijn hoofd altijd aan de hogere kant liggen! **WAARSCHUWING!** De anti-refluxfunctie mag enkel worden geactiveerd als u het kinderbedje als een apart bed gebruikt. Deze functie mag **NIET** worden gebruikt als het kinderbedje aan het bed voor volwassenen is bevestigd!
3. Volg de onderstaande stappen om het bedje aan het bed voor volwassenen te bevestigen:
 - verwijder de afneembare zijwand;
 - doe de veiligheidsgordel rond het matras van het bed voor volwassenen;
 - maak beide uiteinden van de gordel vast aan de onderkant van het bedje (1) (Afbeelding 26) en maak vervolgens de bevestigingshaak vast aan de zijkant van het bed (2) (Afbeelding 26). Trek aan de gordel om de lengte aan te passen (3) (Afbeelding 26).**WAARSCHUWING!** Vanwege het risico op vallen mag er GEEN opening zijn tussen de onderkant van het product en het matras van het bed voor volwassenen!!! (Afbeelding 27)
- WAARSCHUWING!** Om verstikkingsgevaar te vermijden, moet u de hoogte van het kinderbedje zodanig aan te passen dat de rand van het matras voor volwassenen boven de rand van de uitneembare zijwand komt. Gebruik het kinderbedje niet als de hoogte van het bed van de ouders minder dan 50 cm of meer dan 80 cm boven de vloer ligt (Afbeelding 28).

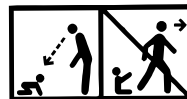
HET KINDERBEDJE DEMONTEREN

1. Maak de gordels die op het bed voor volwassenen zijn bevestigd, los.
2. Verwijder de wieltjes van het bedje (Afbeelding 19).
3. Verwijder de muggennet en het matras van het kinderbed.
4. Verwijder de afneembare zijwand en haal de vrije buis eruit (Afbeelding 14).
5. Maak de rits over de lengte van het kinderbedje, die zich op het bovenframe bevindt, open.
6. Demonteer het hoofdsteunprofiel.
7. Verwijder de bekleding van het bovenframe van het bedje.
8. Verwijder de langs- en dwarsbuizen van de bagagemand.
9. Klap beide poten tegen elkaar in om het kinderbedje in te klappen.
10. Plaats het bedje in de tas.

E RËNDËSISHME LEXONI ME KUJDES DHE RUANI UDHËZIMET PËR PËRDORIM NË TË ARDHMEN!

AL

KUJDES



1. KUJDES! ASNJËHERË MOS E LINI FËMIJËN PAMBIKQYRJE!

2. KUJDES! Mos e përdorni këtë produkt, nëse nuk keni lexuar fillimisht manualin e përdorimit!

3. KUJDES! Ndaloni së përdoruri krevatin fëmijësh sapo fëmija të mund të ulet pa ndihmë, të ngrihet vetëm në këmbë ose të ngrihet lart në duar dhe gjunjë!

4. KUJDES! Vendosja e artikujve shtesë në produkt mund të shkaktojë mbytje.

5. KUJDES! MOS VENDOSNI NË KREVATIN E FËMIJËS ARTIKUJ TË TJERË (PSH. LODRA, JASTIKË DHE ETJ.)!

6. KUJDES! Mos e vendosni produktin afër një produkti tjetër, i cili mund të paraqesë rrezik për mbytje ose asfiksi, psh. Lidhje, nyje për, perde dhe etj.

7. KUJDES! Mos përdorni më shumë se një dyshek në produkt.

8. KUJDES! Jini të vetëdijshëm për rrezikun e flakëve të hapura dhe burimeve të tjera të nxehtësisë intensive, si p.sh. soba elektrike me rezistenca, soba me gaz, etj. në afërsi të shtratit të fëmijës (krevat apo luhatëse djep).

KËRKESA PËR SIGURINË

1. KUJDES! Përpara se ta përdorni produktin për herë të parë, hiqni të gjitha materialet reklamuese prej tij, si dhe materialet për lidhjen e tyre me produktin! Çdo ambalazh plastik duhet të hiqet, të shkatërrohet ose të mbahet larg fëmijëve për të shmangur rrezikun e mbytjes.

2. Produkti duhet vendosur në dysheme të niveluar!

3. Mos lejoni fëmijët e vegjël të luajnë në afërsi të produktit pa mbikqyrje!

4. Krevati i fëmijës duhet mbyllet dhe të fiksohet kur fëmija është pa mbikqyrje!

5. Të gjithë elementët kapës duhet menjëherë të shtrëngohen fortë dhe duhet të jetë kujdes të mos ketë vida të liruara ose elementë lidhës të cilët fëmija mund të kapi trupin e tij ose rrobat e tij (psh. lidhëse, shirita, zinxhira biberoni), të cilët mund të provokojnë rrezik mbytjeje!

Bëni kontrolle rutinë për tu siguruar që nuk ka pjesë të liruara, të dëmtuara ose që mungojnë.

6. Trashësia maksimale e dyshekut është 3 cm. Informacioni për trashësinë maksimale të dyshekut tregohet në etiketën e produktit, si dhe në vetë dyshekun.

7. Madhësia maksimale e krevatit, për të cilin është projektuar dysheku, është 84/51 cm.

8. Mos e përdorni krevatin e fëmijës nëse lartësia e shtratit të prindërve është më pak se 50 cm ose më shumë se 80 cm mbi dysheme (Fotoja 28).

9. Mos përdorni dyshek për krevat fëmijësh, të ndryshëm nga ai i cili është përcaktuar për produktin dhe miratuar nga prodhuesi.

10. Nëse përdorni dyshek, të ndryshëm nga ai i dorëzuar nga prodhuesi, sigurohuni që trashësia e duhur është e përshtatshme me produktin. Trashësia e dyshekut duhet të jetë e tillë që pjesa e jashtme e lartësisë (nga sipërfaqja e sipërme e dyshekut deri në skajin e sipërm të faqeve të krevatit të fëmijës) të jetë jo më pak se 200 mm.

11. Nëse përdorni dyshek, të ndryshëm nga ai i dorëzuar nga prodhuesi, gjatësia dhe gjërësia duhet të jenë të atillë që, hapsira maksimale mes dyshekut dhe faqet dhe anët e krevatit të mos tejkalojnë 30 mm.

12. Është e mundur të anoni pak bazën e krevatit e fëmijës duke rregulluar dy këmbët në lartësi të ndryshme (Fotoja 25). Animi i krevatit të fëmijës lejohet me një diferencë maksimale në lartësi midis dy këmbëve prej 2 pozicionesh! KUJDES! Koka e fëmijës duhet të jetë gjithmonë në anën më të lartë!

- 13.KUJDES! MOS** përdorni krevatin nëse ndonjë pjesë mungon ose është dëmtuar ose thyer. Lidhuni me „Didis“ SHPK për pjesë rezervë dhe instruksione, nëse është e nevojshme. MOS ndërroni pjesët!
- 14.**Produkti është gatë për përdorim vetëm kur mekanizmat për mbërthimin janë aktivizuar. Sigurohuni që janë fiksuar mirë përpara përdorimit!
- 15.**Kur fëmija është pa mbikqyrje në produkt në konfigurimin „krevat“ sigurohuni që faqa që ulet është gjithmonë e ngritur dhe kapëset janë mbërthyer plotësisht!
- 16.**Mos e përdorni krevatin pa kornizën!
- 17.**Montimi, shpalosja dhe palosja e produktit të bëhet VETËM nga një i rritur!
- 18.**Mos përdorni produktin për më shumë se një fëmijë njëkohësisht.
- 19.**Ruajeni produktin në vend të paarrtshëm për fëmijët, kur nuk e përdorni atë.
- 20.**Sigurohuni që këmbët e krevatit të jenë kryqëzuar kur ta përdorni si krevat vetjak.
- 21.MOS** përdorni krevatin, të lidhur me krevatin e prindërve, nëse ndonjë pjesë mungon ose është dëmtuar ose e thyer. Lidhuni me „Didis“ SHPK për pjesë rezervë dhe instruksione nëse është e nevojshme. MOS zëvendësoni pjesët!
- 22.**Përdorimi i produktit lejohet vetëm me krevatë/ose dyshekë me faqe të drejta!Përdorimi i produktit me krevatë të rumbullakët/ose dyshek ose krevatë me ujë ose dyshekë që fryhen etj NUK ËSHTË I LEJUESHËM!
- 23.**Kur produkti përdoret në funksion „Fiksuar tek krevati prindërve“, ai duhet gjithmonë të jetë montuar në anën e gjatë të hyrjes së krevatit. MOS fiksoni produktin nga koka ose fundi i krevatit!
- 24.E RENDËSISHME PËR SIGURINË E FËMIJËS TUAJ!** Funkcioni „Fiksimin tek krevati i prindërve“ është i zbatueshëm VETËM me llojin e krevatit i cili i permbush të gjitha kushtet të përshkruara më sipër në këtë paragraf! Më specifikisht, mbështetja anësore e krevatit duhet gjithmonë të vendoset afër dyshekut të prindit, ndërsa dysheku duhet gjithmonë të jetë i barabartë me lartësinë e mbështetëses anësore për kufizimin e krevatit (Figura 27). Përveç kësaj,krevati duhet të jetë fiksuar mirë me strukturën e krevatit të prindit ose me mbajtësen e dyshekut (baza ose kornizën e dyshekut).
- 25.**Krevatet e lidhur me krevatin e prindërve, kurrë nuk duhet të përdoren në pozicion të anuar. Gjatë këtij funksioni të dy këmbët duhet gjithmonë të rregullohen në lartësi të njëjtë!
- 26.KUJDES!** Kur përdorni funksionin e produktit „Fiksimin tek krevati prindërve“, për të evituar rrezikun e mbytjes nga bllokimi, krevati i lidhur me krevatin e prindërve duhet të jetë kapur sipas mënyrës së duhur tek krevati i prindërve, duke përdorur sistemin e mbërthimit.
- 27.**Sistemi i mbërthimit është i bashkangjitur me krevatin. Mos përdorni tjetër sistem mbërthimi.
- 28.**Kurrë nuk duhet të ketë boshllëk midis anës së poshtme të krevatit, lidhur me krevatin e prindërve dhe dyshekut të krevatit të prindërve.
- 29.**Gjithmonë kontrolloni sistemin e mbërthimit përpara përdorimit!
- 30.**Trolloni kompaktibilitetin e sistemit përpara çdo përdorimi, duke tërhequr krevatin e lidhur me krevatin prindërve në drejtim anësor me krevatin e.
- 31.**Nëse ka ndonjë boshllëk midis krevatit të lidhur me krevatin e prindërve MOS përdorni produktin..
- 32.**Boshllëqet nuk duhet të mbushen me jastëk, batanije ose sende të tjera.Kjo mund të shkaktojë rrezik mbytjeje.
- 33.**Gjatë kohës së përdorimit sigurohuni që çarçafët, batanijet e prindërve nuk futen ose mbulojnë brëndësinë e krevatit të fëmijës.
- 34.**Produkti duhet të përdoret vetëm pasi është kapur mirë tek krevati i një të rrituri ose kur pjesa lëvizëse është mbyllur deri në pozicionin më të lartë për të evituar rrezikun e rënies të fëmijës.
- 35.RREZIK!** – Kur krevati i lidhur me krevatin e prindërve nuk është kapur tek krevati i prindërve, duhet që të gjitha faqet e tij të jenë vendosur nëpër vënde e tyre/ose të ngritura në pozicionin më të lartë. Gjithmonë ngrejini plotësisht faqen lëvizëse, kur krevati nuk është kapur tek krevati i prindërve.
- 36.KUJDES!** – Të shmangen rreziqet nga kapja e derës së fëmijës me shinën e sipërme, me anën e cila është afër krevatit të prindërve, shina e sipërme nuk duhet të jetë më e lartë se dysheku i krevatit të (Figura 28).
- 37.KUJDES!** – Për të evituar rrezikun e mbytjes së fëmijës tuaj,sistemi për mbërthimin tek krevati i prindërve, gjithmonë duhet të mbahet larg nga krevati fëmijës dhe jashtë tij.
- 38.**Dysheku i krevatit të prindërve duhet të jetë në një linjë ose mbi lartësinë e faqes lëvizëse në pozicionin më të ulët.
- 39.**Dysheku i krevatit të prindërve duhet gjithmonë të jetë më i lartë se faqa e krevatit. Nëse jo, përdorni sistemin rregullues për tu siguruar që lartësia është e saktë nga të dyja anët.
- 40.**Përpara çdo përdorimi gjithmonë kontrolloni nëse nuk ka vënd midis dyshekut të krevatit të prindërve dhe murit të krevatit të fëmijës. Tërhiqeni dhe tendosni sistemin mbërthyes, derisa hapsira e lejuar të rifitohet.
- 41.**Përdorni krevatin me anën e ulur vetëm në funksionin „Fiksuar me krevatin e prindërve“.
- 42.KUJDES!** Mbajeni larg zjarrit!
- 43.**Specifikimet, ngjyrat dhe përmbajtja mund të ndryshojnë nga ato të paraqitura në foto!

KUJDES DHE MIRËMBAJTJE

KUJDES! Në se përdorni rrethoren në ambient të jashtëm, pastroni pluhurin nga këmbët e saj si edhe elementet e tjera, sepse pluhuri mund të dëmtojë mekanizmat e lidhjes dhe të shkaktojë dëm. Në disa kushte klimatike, pjesët mund të preken nga myku. Që të evitoni këtë mos e palosni dhe mos e ruani produktin kur është i lagur. Gjithnjë ruani produktin në vend me ajrosje të mirë. Gjithnjë kontrolloni pjesët që të mos ketë vridha, bulona dhe elemente të tjera lidhëse të liruara dhe në rast nevojë i shtrëngoni.

Pastrim. Në rast nevojë përdorni ujë të ngrohtë dhe sapun të butë. Larja e çantës mund të bëhet me dorë me ujë të ngrohtë pa pasur nevojë nga hekurosja. Të mos përdoren zbardhës. Për larje të pëlhurave ndiqni udhëzimet në etiketën. Mos përdorni për pastrim tretës, produkte abrazive dhe agresive.

KUJDES! Mos vendosni sende voluminoze në rrethoren që mund t'i ndihmojnë fëmijës të kalojë rrjetet. Mos e vendosni rrethoren afër veglave të ngrohjes sepse mund të dëmtohen pjesët plastike dhe tekstile.

KUJDES! Për përdorim të drejtë dhe ruajtje, lexoni me kujdes këtë instruksion dhe e respektoni saktë!

Materiale të përdorura: Plastmasa, tekstil, metal, MDF.

PJESËT

Fotografia 1

1. Dyshek	- 1 copë.	6. Faqja e lëvizshme	- 1 copë.
2. Korniza e sipërme	- 1 copë.	7. Profili kryesor i mbështetjes	- 1 copë.
3. Butoni i rregullimit të lartësisë	- 2 copë.	8. Tapiceri	- 1 copë.
4. Korniza kryesore e aluminit	- 1 copë.	9. Rrota	- 4 copë.
5. Tuba të poshtme tërthore dhe gjatësore mbështetës	- 4 copë.	10. Shporta për aksesore (bagazhi)	- 1 copë.
		11. Rrjetë kundër mushkonjave	- 1 copë.
		12. Rrip sigurie	- 1 copë.
		13. Çantë për mbajtje	- 1 copë.

MONTIMI I KREVIATIT TË FËMIJËVE

1. Hiqni krevatin e fëmijëve nga çanta.

2. Shpalosni kornizën e djepit pasi të keni ngritur dhe rrotulluar këmbët nga jashtë, në mënyrë që me këmbët në një pozicion vertikal, shënuesit e nivelit të jenë nga ana e jashtme (Fotoja 2).

3. Kaloni tubat gjatësore dhe tërthore në vrimat e prerjes së tapicerisë së koshit për aksesoreve (Fotoja 3) Kujdes! Orientoni kunjat e tubit në mënyrë që ato të tregojnë ndaj vrimat e caktuara të montimit. Montoni tubat e poshtëm gjatësor dhe tërthor të rafit të bagazhit derisa kunja të shfaqet përmes vrimave plastike në këmbë (Fotot 4,5,6).

4. Hiqni mbrojtëset plastike në të dy anët e profilin mbështetës kryesor të kapur me tapicerinë (Fotoja 7). Montoni tapicerinë në tubat e sipërm të krevatit, më pas mbylleni me zinxhirin. Mblidhni profilin kryesor mbështetës në vrimat anësore të të dy këmbëve dhe sigurohuni që kunja të jetë instaluar saktë dhe e kapur fort në këmbë (Fotot 8,9). Kujdes! Për të hequr profilin mbështetës, shtypni butonat e vendosur në pjesën e poshtme të këmbëve.

5. Kaloni tubin e lirë që është pjesë e kornizës së sipërme përmes hapjes në faqen rënëse të tapicerisë (nëse monitorohet, shtypni butonat nga poshtë dhe lëshojeni). Vendosni skajet e lira të tubit kundër kornizës së krevatit me butonat e lirimit të jenë kthyer nga poshtë (Fotoja 10), më pas lidhni zinxhirët e ndarjes në të dy anët e rrjetës (Fotot 11,12).

6. Për të hequr faqen e lëvizshme, ndiqni sekuencën e mëposhtme:

- hapni zinxhirët nga të dyja anët (Fotoja 11).

- shtypni butonat poshtë në fundit të tubit për ta lëshuar atë (Fotot 13,14) dhe fiksojeni në rripat anësore (Fotot 15,16).

7. Ngrini këmbët e krevatit dhe montoni boshtet e rrotave në vrima derisa të dëgjoni një "Klik" (Fotot 17,18). Për të hequr rrotën, shtypni butonin në pjesën e brendshme të këmbës nga brenda dhe tërhiqeni rrotën poshtë (Fotoja 19). Për të aktivizuar frenimin e rrotës, shtyni levën poshtë (Fotoja 20) dhe për ta lëshuar atë nga lart (Fotoja 21).

8. Montoni rrjetën kundër mushkonjave në kornizën e sipërme të koshit (Fotoja 22).

SHFRYTËZIMI

1. Rregullimi i lartësisë. Lartësia mund të rregullohet në 7 pozicione duke përdorur dy butonat e vendosur në anë të kornizës (Fotoja 23). Rregullojeni në shkallën e dëshiruar, më pas shtrëngoni vridhat e kyçjes së butonit me një kaçavidë (nuk përfshihet) për të siguruar qëndrueshmëri maksimale (Fotoja 24).

2. Funkzioni kundër refluxit (kundër mbytjes së fëmijës) – krevati i fëmijës mund të anohet me një diferencë maksimale prej 2 pozicionesh lartësie ndërmjet këmbëve në të dyja anët (Fotoja 25). **KUJDES!** Koka e fëmijës duhet të jetë gjithmonë e pozicionuar drejt anës më të lartë! **KUJDES!** Funkzioni kundër refluxit mund të përdoret vetëm kur përdorni krevatin si një krevat me vete. Ky funksion **NUK** mund të përdoret kur krevati është i fiksuar në shtratin e të rriturve!

3. Fiksimi i krevatit në shtratin e të rriturve në vijueshmërinë e mëposhtme:

- hiqni faqen lëvizshme;

- mbuloni me rripin e sigurisë dyshekun e shtrazit të të rriturve;

- lidhni të dy skajet e rripit në fundin të krevatit të fëmijës (1) (Fotoja 26), më pas lidhni grepin në anë të shtrazit (2) (Fotoja 26). Tërhiqeni rripin për të rregulluar gjatësinë e tij (3) (Fotoja 26).

KUJDES! Për shkak të rrezikut të rënies, **NUK** duhet të ketë hendek midis pjesës së poshtme të produktit dhe dyshekut të krevatit të të rriturve!!! (Fotoja 27)

KUJDES! Për shkak të rrezikut të mbytjes, rregulloni lartësinë e krevatit të fëmijës në mënyrë që skaji i dyshekut të krevatit të të rriturve të jetë mbi skajin e anës së lëvizshëm të krevatit të fëmijës. Mos e përdorni krevatin nëse lartësia e shtrazit të prindërve është më pak se 50 cm ose më shumë se 80 cm mbi dysheme (Fotoja 28).

ÇMONTIMI I KREVATIT FËMIJËSH

1. Shkëputni rripat e montuara ndaj shtrazit i të rriturve.
2. Hiqni rrotat e krevatit (Fotoja 19).
3. Hiqni rretjen kundër mushkonjave dhe dyshekun nga shtrazi i fëmijës.
4. Hiqni faqen e lëvizshme dhe hiqni tubin e lirë (Foto 14).
5. Zhblokoni zinxhirin përgjatë gjatësisë së djepit të vendosur në kornizën e sipërme.
6. Çmontoni profilin kryesor të mbështetjes.
7. Hiqni tapiceri nga korniza e sipërme e krevatit.
8. Çmontoni tubat e trungut gjatësor dhe tërthor.
9. Palosni dy këmbët së bashku për të palosur krevatin e fëmijës.
10. Vendoseni në çantë.

TR

ÖNEMLİ DİKKATLİCE OKUYUN VE GELECEKTE KULLANMAK ÜZERE SAKLAYIN!

DİKKAT



1. DİKKAT! ÇOCUĞU ASLA GÖZETİMSİZ BIRAKMAYIN!

2. DİKKAT! Bu ürünü kullanma talimatını okumadan kullanmayınız!

3. DİKKAT! Çocuk yardımsız oturabildiğinde, tek başına ayağa kalkabildiğinde veya elleri ve dizleri üzerinde kalkabildiği anda beşiği kullanmayı bırakın!

4. DİKKAT! Ürüne ilave nesnelerin yerleştirilmesi boğulmaya neden olabilir!

5. DİKKAT! BEŞİĞE İLAVE NESNELER (OYUNCAK, YASTIK VB.) KOYMAYIN!

6. DİKKAT! Ürünü boğulma veya boğulma tehlikesi oluşturabilecek başka bir ürünün yanına koymayın; bağlar, panjur/perdeler için kordonlar vb.

7. DİKKAT! Üründe birden fazla yatak kullanmayınız!

8. DİKKAT! Açık alevlerin ve reotanlı elektrikli sobalar, gazlı sobalar ve çocuğun yatağının (beşik veya salıncak) hemen yakınındaki diğer yoğun ısı kaynaklarının tehlikesine dikkat edin.

GÜVENLİK GEREKSİNİMLERİ

1. DİKKAT! Ürünü ilk kez kullanmadan önce, üründeki tüm reklam malzemelerini ve bunların ürüne yapıştırılmasına yönelik malzemeleri çıkarın! Boğulma riskini önlemek için plastik ambalajlar çıkarılmalı, imha edilmeli veya çocuklardan uzak tutulmalıdır.

2. Ürün düz bir zemine yerleştirilmelidir!

3. Küçük çocukların denetimsiz olarak yatağın yanında oynamasına izin vermeyin!

4. Çocuk beşikte yalnız bırakıldığında beşik sabit bir konumda kilitlenmelidir!

5. Tüm bağlantı elemanları her zaman güvenli bir şekilde sıkılmalı ve çocuğun vücudunun veya giysilerinin bazı kısımlarını asabileceği (örneğin bağcıklar, kurdeleler, emzik zincirleri) gevşek vida veya bağlantıların olmadığından emin olunmalıdır. Boğulma riski var! Gevşek, hasarlı veya eksik parça olmadığından emin olmak için rutin kontroller yapın.

6. Yatağın maksimum kalınlığı 3 cm'dir. Yatağın maksimum kalınlığına ilişkin bilgiler yatağın yanı sıra ürün etiketinde de belirtilmiştir.

7. Yatağın kullanılması amaçlanan beşiğin maksimum iç boyutu 84/51 cm'dir .

8. Ebeveyn yatağının yüksekliği yerden 50 cm'den az veya yerden 80 cm'den fazla ise bebek karyolasını kullanmayın (Foto 28).

9. Ürünle birlikte verilen ve üretici firma tarafından onaylananın dışında bir beşik yatağı kullanmayınız.

10. Üreticinin sağladığı yatak dışında bir yatak kullanılıyorsa bunun doğru kalınlıkta ve ürüne uygun olduğundan emin olun. Yatağın kalınlığı, iç yüksekliği (yatağın üst yüzeyinden beşiğin kenarlarının üst kenarına kadar) en az 200 mm olacak şekilde olmalıdır.

11. Üretici tarafından sağlananın dışında bir yatak kullanıyorsanız, bunun uzunluğu ve genişliği, yatak ile karyolanın yanları ve uçları arasındaki maksimum mesafe 30 mm'yi geçmeyecek şekilde olmalıdır.

12. İki ayağı farklı yüksekliklere ayarlayarak beşiğin tabanını hafifçe eğmek mümkündür (Foto 25). Beşiğin eğilmesine, 2 konumlu iki bacak arasındaki maksimum yükseklik farkıyla izin verilir! DİKKAT! Çocuğun başı daima en yüksek tarafta bulunmalıdır!

13. DİKKAT! Herhangi bir parçası eksik, hasarlı veya kırıkta beşiği KULLANMAYIN . Gerekirse yedek parçalar ve talimatlar için Didis Ltd ile iletişime geçin. Parçaları değiştirmeyin!

14. Ürün ancak kilitleme mekanizmaları devreye girdiğinde kullanıma hazırdır. Kullanmadan önce iyice sabitlendiklerinden emin olun!
15. Çocuk beşik konfigürasyonunda gözetimsiz bırakıldığında, çerşafın daima yukarıda olduğundan ve fermuarların tamamen kapalı olduğundan emin olun.
16. Beşiğı çerşevesiz kullanmayınız!
17. Ürünün montajı, katlanması ve açılması **SADECE** bir yetişkin tarafından yapılmalıdır!
18. Ürünü aynı anda birden fazla çocuk için kullanmayınız.
19. Ürünü kullanılmadığı zamanlarda çocukların erişemeyeceğı bir yerde saklayın!
20. Tek başına beşik olarak kullanırken beşik ayaklarının tamamen uzatılmış olduğundan emin olun.
21. **DİKKAT!** Ebeveyn yatağına bağılı beşiğı herhangi bir parçası eksik, hasarlı veya kırıkta **KULLANMAYIN** . Gerekirse yedek parçalar ve talimatlar için Didis Ltd ile iletişime geçin. Parçaları değıştirmeyin!
22. Ürünün kullanımına yalnızca kenarları düz olan yatak ve/veya şiltelerde izin verilmektedir! Ürünün yuvarlak yatak ve/veya şilte veya su yatakları veya havalı yataklar vb. ile kullanılması. **YETKİLİ DEĞİL!**
23. Ürün "Ebeveyn yatağına takma" fonksiyonunda kullanıldığında mutlaka yatağıın uzun erişim tarafına monte edilmelidir. Ürünü yatağıın başına veya altına **SABİTLEMİYİN!**
24. **ÇOCUĞUNUZUN GÜVENLİĞİ İÇİN ÖNEMLİ!** "Ebeveyn yatağına sabitle" işlevi **YALNIZCA** yukarıda ve bu paragrafta açıklanan tüm koşulları karşılayan yatak türleri için geçerlidir! Özellikle beşiğın yan desteğı her zaman ebeveyn yatağına yakın yerleştririlmeli ve beşiğı sınırlamak için şilte her zaman yan desteğın yüksekliğı ile aynı hizada olmalıdır (Foto 27). Ayrıca beşiğın ebeveyn karyolasına veya yatak desteğıne (baza veya yatak çerşevesi) güvenli bir şekilde sabitlenmesi gerekir.
25. Ebeveyn yatağına bağılanan karyolalar kesinlikle eğik konumda kullanılmamalıdır. Bu özellik sayesinde her iki bacağıın her zaman aynı yüksekliğe ayarlanması gerekir!
26. **DİKKAT!** Ebeveyn Yatağına Kilitleme özelliğini kullanırken, sıkışma nedeniyle boğulma tehlikesini önlemek için, ebeveyn yatağına bağılanan karyola, bağılantı sistemi kullanılarak ebeveyn yatağına uygun şekilde sabitlenmelidir.
27. Karyola ile birlikte bağılantı sistemi sağlanmaktadır. Başka bir sabitleme sistemi kullanmayın!
28. Ebeveyn yatağına bağılanan karyola alt kısmı ile ebeveyn yatağıındaki şilte arasında kesinlikle boşluk olmamalıdır.
29. Her kullanımdan önce sabitleme sistemini kontrol edin!
30. Ebeveyn yatağına bağılanan karyolayı ebeveyn yatağıından uzağıa doğru çekerek her kullanımdan önce bağılantı sisteminin sıkılığını kontrol edin .
31. Ebeveyn yatağına bağılanan beşik ile ebeveyn yatağı arasında boşluk varsa ürünü **KULLANMAYIN**.
32. Boşluklar yastık, battaniye veya başka nesnelere doldurulmamalıdır. Bu boğulma riskine neden olabilir.
33. Kullanım sırasında ebeveynlerin çerşafalarının, battaniyelerinin beşiğın içine girmemesine ve üzerini örtmemesine dikkat ediniz.
34. Çocuğın düşme riskini önlemek için ürün ancak yetişkin yatağına sıkıca bağılandıktan sonra veya sürgülü sayfa en üst konumda kilitlendikten sonra kullanılmalıdır.
35. **TEHLİKE!** Ebeveyn yatağına bağılanan bebek karyolası, ebeveyn yatağına bağılanmadığında tüm kenarlarının yerinde ve/veya en yüksek konumda olması gerekir. Beşik ebeveyn yatağına bağılı olmadığında katlanabilirliğı daima tamamen kaldırın.
36. **DİKKAT !** Çocuğın boynunun yetişkin yatağı yanındaki sayfanın üst rayına sıkışma tehlikesini önlemek için üst ray yetişkin yatağıının şiltesinden yüksek olmamalıdır (Foto 28).
37. **DİKKAT!** Çocuğunuzun boğulma riskini önlemek için yetişkin yatağına bağılanan bağılantı sistemi daima çocuk yatağıından uzak tutulmalıdır.
38. Ebeveyn yatağıındaki şilte, en alt konumdaki katlanabilir sayfanın yüksekliğine veya daha yukarisına hizalanmalıdır.
39. Ebeveyn yatağıının şiltesi her zaman beşiğın kenarından yüksekte olmalıdır. Değılirse, yüksekliğın her iki tarafa da doğru olduğundan emin olmak için ayar sistemini kullanın.
40. Her kullanımdan önce ebeveyn yatağıının şiltesi ile beşiğın duvarı arasında boşluk olmadığını kontrol edin. Boşluk yeniden sağlanana kadar sabitleme sistemini çekin ve sıkın.
41. Beşiğı yalnızca "Ebeveyn yatağına sabitleme" fonksiyonunda yan kısmı aşığıda olacak şekilde kullanın!
42. **DİKKAT!** Ateşten uzak durun!
43. Teknik özellikler, renkler ve içerik resimlerde gösterilenlerden farklı olabilir!

EN 1130:2019 + AC:2020; EN 16890:2017+A1:2021

BAKIM

DİKKAT! Beşiği dışarıda kullanırsanız, kilitleme mekanizmasına girip ciddi hasara neden olabileceğinden bacaklara ve diğer parçalara yapışan tozu temizleyin. Bazı iklimlerde parçalar küf ve mantardan etkilenebilir. Bunu önlemek için ürünü nemli veya ıslak halde katlamayın veya saklamayın. Ürünü daima iyi havalandırılan bir alanda saklayın. Parçaları daima gevşek vidalar, somunlar ve diğer bağlantı elemanları açısından düzenli olarak kontrol edin, gerekirse sıkın.

Temizlik. Gerekirse yumuşak sabun ve ılık su kullanın. Çantayı ütülemeden ılık suda elde yıkayabilirsiniz. Çamaşır suyu kullanmayın. Kumaşları yıkamak için etikette verilen talimatlara dikkatlice uyun. Temizlik için solventler, aşındırıcı ürünler veya agresif ürünler kullanmayın. Yatağı temizlemek için etikette belirtilen talimatları dikkatlice izleyin. Bu yatak çocuğun kusnuğunu emmeyebilir. Yatak koruyucu kullanmak çok önemlidir.

DİKKAT! Beşiğe, çocuğun bariyer ağlarının üzerinden geçmesine yardımcı olabilecek büyük nesnelere koymayın. Plastik ve tekstil parçalara zarar verebileceği için karyolayı ısıtma cihazlarının yakınına koymayın.

DİKKAT! Beşiğinin doğru şekilde çalıştırılması ve saklanması için bu talimatı dikkatle okuyun ve harfiyen uygulayın!
Kullanılan malzemeler: Plastik, tekstil, metal, MDF

PARÇALAR

Fotoğraf A

1. Yatak	- 1 adet.	6. Hareketli sayfa	- 1 adet.
2. Üst çerçeve	- 1 adet.	7. Ana destek profili	- 1 adet.
3. Yükseklik ayar butonu -	- 2 adet.	8. Döşeme	- 1 adet.
4. Ana alüminyum çerçeve	- 1 adet.	9. Tekerlekler	- 4 adet.
5. Enine ve boyuna alt destek boruları	- 4 adet.	10. Aksesuar sepeti (gövde)	- 1 adet.
		11. Cibişik	- 1 adet.
		12. Emniyet kemeri	- 1 adet.
		13. Taşıma çantası	- 1 adet.

ÇOCUK BEŞİĞİNİN KURULUMU

1. Beşiği çantadan çıkarın.
2. Bacaklar dik konumdayken seviye işaretleri dışarıda olacak şekilde bacakları kaldırıp dışarı doğru döndürdükten sonra beşik çerçevesini açın (Fotoğraf 2).
3. Boyuna ve enine boruları aksesuar sepetinin kenar kısmındaki deliklere geçirin (Fotoğraf 3) Dikkat! Boru pimlerini belirlenen montaj deliklerini gösterecek şekilde yönlendirin. Rafın alt boyuna ve enine borularını, pim bacaklardaki plastik deliklerden görünene kadar takın (Fotoğraf 4,5,6).
4. Döşemeye takılan ana destek profilinin her iki tarafındaki plastik korumaları çıkarın (Fotoğraf 7). Döşemeyi beşiğin üst borularına takın ve ardından fermuarını çekin. Ana destek profilini her iki bacağın yan deliklerine monte edin ve pimin doğru şekilde takıldığından ve bacağı sağlam bir şekilde takıldığından emin olun (Foto 8,9).Dikkat! Destek profilini çıkarmak için bacakların alt kısmında bulunan düğmelere basın.
5. Üst çerçevenin bir parçası olan serbest boruyu döşemenin açılır sayfasındaki açıklıktan geçirin (izleniyorsa aşağıdaki tuşlara basıp bırakın). Tüpün serbest uçlarını , açma düğmeleri aşağıya bakacak şekilde beşik çerçevesine yerleştirin (Fotoğraf 10), ardından filenin her iki tarafındaki bölme fermuarlarını sabitleyin (Fotoğraf 11,12).
6. Çıkarılabilir yanı kaldırmak için aşağıdaki sırayı izleyin:
- her iki taraftaki fermuarları açın (Fotoğraf 11).
ucunun altındaki düğmelere basarak serbest bırakın (Fotoğraf 13,14) ve yan kayışlara asın (Fotoğraf 15,16).
7. Beşiğin ayaklarını kaldırın ve tekerleklerin akslarını "Tık" sesini duyana kadar deliklere takın (Foto 17,18). Tekerleği çıkarmak için ayağın iç kısmında bulunan düğmeye içeriye doğru basıp tekerleği aşağı doğru çekin (Foto 19). Tekerlek frenini etkinleştirmek için kolu aşağıya doğru bastırın (Fotoğraf 20), yukarıya doğru bastırın (Fotoğraf 21).
8. Cibişik sepetin üst çerçevesine monte edin (Foto 22).

KULLANIM

1. Yükseklik ayarı. Yükseklik, çerçevenin yan tarafında bulunan iki düğme kullanılarak 7 pozisyonda ayarlanabilmektedir (Foto 23). İstenilen dereceye ayarlayın, ardından maksimum stabiliteyi sağlamak için düğme kilitleme vidalarını bir tornavidayla (dahil değildir) sıkın (Fotoğraf 24).

2. Reflü önleme işlevi (çocuğun boğulmasına karşı) - karyola her iki taraftaki bacaklar arasında maksimum 2 yükseklik pozisyonu farkıyla eğilebilir (Foto 25). **DIKKAT!** Çocuğun başı her zaman üst tarafa doğru yerleştirilmelidir! **DIKKAT!** Reflü önleme fonksiyonu yalnızca karyolayı tek kişilik yatak olarak kullandığınızda kullanılabilir. Bu fonksiyon, bebek karyolası yetişkin yatağına sabitlendiğinde **KULLANILAMAZ!**

3. Beşiğin yetişkin yatağına aşağıdaki sırayla sabitlenmesi:

- kayan tarafı kaldırın;

- yetişkin yatağının şiltesini emniyet kemeriyle örtün;

- kemerin her iki ucunu karyola tabanına sabitleyin (1) (Fotoğraf 26), ardından kancayı yatağın yan tarafına sabitleyin (2)(Fotoğraf 26) Uzunluğunu ayarlamak için kemeri çekin (3)(Fotoğraf 26).

DIKKAT! Düşme riski nedeniyle ürünün alt kısmı ile yetişkin yatağının yatağı arasında boşluk kalmaması gerekmektedir!!! (Fotoğraf 27)

DIKKAT! Boğulma riski nedeniyle, beşiğin yüksekliğini, yetişkin yatağının kenarı, çıkarılabilir beşik çarşafının kenarının üzerinde olacak şekilde ayarlayın. Ebeveyn yatağının yüksekliği yerden 50 cm'den az veya yerden 80 cm'den fazla ise bebek karyolasını kullanmayın (Foto 28).

BEŞİĞİN SÖKÜLMESİ

1. Yetişkin yatağına takılan emniyet kemerlerini çözün .
2. Maşonun tekerleklerini çıkarın (Fotoğraf 19).
3. Cibinliği ve şilteyi çocuğun yatağından çıkarın .
4. Çıkarılabilir yan tarafı çıkarın ve gevşek tüpü çıkarın (Fotoğraf 14).
5. Fermuarı üst çerçevede bulunan beşiğin uzunluğu boyunca açın.
6. Ana destek profilini sökün.
7. Beşiğin üst çerçevesinden döşemeyi çıkarın.
8. Boyuna ve enine ana boruları sökün.
9. Beşiği katlamak için iki ayağı birbirine katlayın.
10. Çantaya yerleştirin.

KULLANIM VE NAKLİYE SIRASINDA DİKKAT EDİLECEK UNSURLAR

1-Taşıma ve nakliye sırasında ürün mutlaka orijinal ambalajında taşınmalıdır.

2-İndirme ve bindirme esnasında maksimum dikkat gösterilmelidir.

3-Yükleme sırasında ambalajın tamamen kapalı olduğundan hasar görmemiş olduğundan emin olunmalıdır.

HİZMET VE BAKIM – TEMİZLİK VE BAKIM

1-Periyodik bakım gerektiren durumlarda tüketicin yapacakları temizlik ve bakım kısmında anlatılmış olup tüketicinin yapamayacağı şeylerde yetkili servise baş vurması gerekmektedir.

2-Bağlantı ve montajın nasıl yapılacağı, şema ile gösterilmiş olup ebeveyn tarafından yapılması gerekmektedir.

KULLANIM HATALARINA İLİŞKİN BİLGİLER

1-Kullanım ve kurulum hatalarının önüne geçilmesi için lütfen arabanın montaj ve demontaj bilgilerini dikkatlice okuyunuz.

2-Pozisyon dışında katlama ve kapatma yapmayınız.

TÜKETİCİ HAKEM HEYETLERİNE YAPILABİLECEKLERİNE İLİŞKİN BİLGİ VE KULLANICIYA SAĞLANAN SEÇİMLİLİK HAKLARI

1-Garanti süresi malın teslim tarihinden itibaren başlar ve 2 yıldır.

2-Malın bütün parçaları dahil olmak üzere tamamı garanti kapsamındadır.

3-Malın ayıplı olduğunun anlaşılması durumunda tüketici 6502 sayılı tüketici korunması hakkında kanununun 11 inci maddesinde yer alan

a-Sözleşmeden dönme

b-Satış bedelinden indirim isteme

c-Ücretsiz onarılmasını isteme

d-Satılanın ayıpsız bir misli ile değiştirilmesini isteme, haklarından birini kullanabilir.

4-Tüketicinin bu haklardan ücretsiz onarım hakkını seçmesi durumunda satıcı; işçilik masrafı değiştirilen parça bedeli yada başka herhangi bir ad altında hiçbir ücret talep etmeksizin malın onarımını yapmak veya yaptırmakla yükümlüdür.Tüketici ücretsiz onarım hakkını üretici veya ithalatçıya karşı da kullanabilir.Satıcı üretici ve ithalatçı tüketicinin bu hakkını kullanmasından müteselsilen sorumludur.

5-Tüketicinin ücretsiz onarım hakkını kullanması halinde malın

-Garanti süresi içinde tekrar arızalanması,

-Tamiri için gereken azami sürenin aşılması,

-Tamirinin mümkün olmadığının yetkili servis istasyonu satıcı, üretici veya ithalatçı tarafından bir raporla belirlenmesi durumlarında;tüketici malın bedel iadesini, ayıp oranında bedel indirimini veya imkan varsa malın misli ile değiştirilmesini satıcıdan talep edebilir.Satıcı, Tüketicinin talebini reddedemez.Bu talebin yerine getirilmemesi durumunda satıcı, üretici ve ithalatçı müteselsilen sorumludur.

6-Malın tamir süresi 20 iş gününü binek otomobil ve kamyonetler için ise 30 iş gününü geçemez.Bu süre garanti süresi içerisinde mala ilişkin arızanın yetkili servis istasyonuna veya satıcıya bildirim tarihi tarihinde garanti süresi dışında ise malın yetkili servis istasyonuna teslim tarihinden itibaren başlar.Malın arızasının 10 iş günü içerisinde giderilmemesi halinde üretici ve ithalatçı malın tamiri tamamlanıncaya kadar benzer özelliklere sahip başka bir malı tüketicinin kullanımına tahsis etmek zorundadır.Malın garanti süresi içerisinde arızalanması durumunda tamirde geçen süre garanti süresine eklenir.

7-Malın kullanma kılavuzunda yer alan hususlara aykırı kullanılmasından kaynaklanan arızalar garanti kapsamı dışındadır.

8-Tüketici garantiden doğan haklarının kullanılması ile ilgili olarak çıkabilecek uyuşmazlıklarda yerleşim yerinin bulunduğu veya tüketici işleminin yapıldığı yerdeki tüketici hakem heyetine veya tüketici mahkemesine başvurabilir.

9-Satıcı tarafından bu garanti belgesinin verilmemesi durumunda tüketici gümrük ve ticaret bakanlığı tüketicinin korunması ve piyasa gözetimi genel müdürlüğüne başvurabilir.

Kullanım Kılavuzunda belirtilen maddelere uyulmaması halinde oluşabilecek sorunlar garanti kapsamı dışındadır.

ÖNEMLİ: Lorelli Tamir Bakım Servisi harici bir yerde yapılan bakım onarım arabanın garanti kapsamından çıkmasına neden olur.

Kullanım Ömrü 5 Yıldır.

İTHALATÇI FİRMA: COOLBABY ÇOCUK GEREÇLERİ SAN VE TİC. A.Ş.

Çınar mah. 6/7 Sok. No:4/a Bağcılar/ İstanbul [Tel: 0212 438 20 45](tel:02124382045)

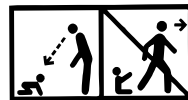
Web: www.lorelli.eu www.coolbaby.com.tr

Yetkili Servis : Coolbaby Çocuk Gereçleri San ve Tic.A.S. Orucreis mah. Giyimkent sitesi 16. Sk. No:75 Esenler / İstanbul Tel : 0212 438 20 45 www.coolbaby.com.tr

WAŻNE PRZECZYTAJ UWAŻNIE I ZACHOWAJ NA PRZYSZŁOŚĆ!

PL

UWAGA



1.UWAGA! NIGDY NIE POZOSTAWIAJ DZIECKA BEZ OPIEKI!

2.UWAGA! Nie używaj tego produktu bez uprzedniego przeczytania instrukcji obsługi!

3.UWAGA! Przestań korzystać z łóżeczka, gdy tylko dziecko będzie mogło samodzielnie usiąść, samodzielnie stanąć lub podnieść się na rękach i kolanach!

4.UWAGA! Umieszczenie dodatkowych przedmiotów w produkcie może spowodować uduszenie.

5.UWAGA! NIE WKŁADAJ DO ŁÓŻECZKA DODATKOWYCH PRZEDMIOTÓW (np. ZABAWKI, PODUSZKI, ITP.)!

6.UWAGA! Nie umieszczaj produktu w pobliżu innego produktu, który może stwarzać ryzyko zaduszenia lub uduszenia, np. sznurki, sznurów do rolet / zasłon itp.

7.UWAGA! Nie używaj więcej niż jednego materaca w produkcie.

8.UWAGA! Należy pamiętać o niebezpieczeństwie związanym z otwartym ogniem i innymi źródłami intensywnego ciepła, takimi jak kuchenki elektryczne, kuchenki gazowe itp. w pobliżu łóżka dziecka (kojca lub huśtawki).

WYMAGANIA BEZPIECZEŃSTWA

1.UWAGA! Przed pierwszym użyciem produktu należy usunąć z niego wszelkie materiały reklamowe, a także materiały służące do ich przymocowania do produktu! Wszelkie plastikowe opakowania należy usunąć, zniszczyć lub trzymać z dala od dzieci, aby uniknąć ryzyka uduszenia.

2. Produkt należy ustawić na równej podłodze!

3. Nie pozwalaj małym dzieciom bawić się bez opieki w pobliżu produktu!

4. Łóżeczko musi być zablokowane w ustalonej pozycji, gdy dziecko jest w nim bez opieki!

5. Wszystkie elementy złączne muszą być zawsze mocno dokręcone i należy uważać, aby nie było żadnych luźnych śrub ani elementów mocujących, o które dziecko mogłoby się zaczepić częściami ciała lub ubrania (np. wiązań, wstążek, łańcuszków do smoczka), co może powodować ryzyko uduszenia!

Wykonuj rutynowe kontrole, aby upewnić się, że nie ma luźnych, uszkodzonych lub brakujących części.

6. Maksymalna grubość materaca wynosi 3 cm. Informacja o maksymalnej grubości materaca podana jest na etykiecie produktu, jak również na samym materacu.

7. Maksymalny rozmiar wewnętrzny łóżeczka, dla którego przeznaczony jest materac, wynosi 84/51 cm.

8. Nie korzystaj z łóżeczka, jeśli wysokość łóżka rodzica jest mniejsza niż 50 cm lub większa niż 80 cm nad podłogą (Zdjęcie 28).

9. Nie używaj materaca do łóżeczka innego niż ten dostarczony z produktem i zatwierdzony przez producenta.

10. Jeśli używasz materaca innego niż dostarczony przez producenta, upewnij się, że ma on odpowiednią grubość i jest odpowiedni dla produktu. Grubość materaca musi być taka, aby wysokość wewnętrzna (od górnej powierzchni materaca do górnej krawędzi boków łóżeczka) wynosiła co najmniej 200 mm.

11. Jeśli używasz materaca innego niż podany przez producenta, długość i szerokość muszą być takie, aby maksymalna odległość między materacem a bokami i krawędziami łóżeczka nie przekraczała 30 mm.

12. Istnieje możliwość lekkiego odchylenia podstawy łóżeczka poprzez regulację dwóch nóżek na różnych wysokościach (Zdjęcie 25). Pochylenie łóżeczka jest dozwolone przy maksymalnej różnicy wysokości pomiędzy nogami w 2 pozycjach! UWAGA! Głowa dziecka musi zawsze znajdować się na najwyższej stronie!

- 13. UWAGA! NIE** używaj łóżeczka, jeśli brakuje jakiegokolwiek części, jest ona uszkodzona lub złamana. W razie potrzeby skontaktuj się z "Didis" Ltd. w sprawie części zamiennych i instrukcji. **NIE** zamieniać części!
- 14.** Produkt jest gotowy do użycia dopiero po aktywacji mechanizmów blokujących. Przed użyciem upewnij się, że są dobrze zamocowane!
- 15.** Gdy dziecko jest bez opieki w produkcie w konfiguracji „łóżeczka”, upewnij się, że otwierana strona jest zawsze podniesiona, a zamki błyskawiczne są w pełni zamknięte!
- 16.** Nie używaj łóżeczka bez ramy!
- 17.** Montaż, rozkładanie i składanie produktu powinien wykonywać TYLKO dorosły!
- 18.** Nie używaj produktu jednocześnie dla więcej niż jednego dziecka.
- 19.** Trzymaj produkt poza zasięgiem dzieci, gdy nie jest używany.
- 20.** Upewnij się, że nogi łóżeczka są całkowicie wyciągnięte, gdy używasz go jako samodzielnego łóżeczka.
- 21.** **NIE** używaj łóżeczka podłączonego do łóżka rodziców, jeśli brakuje jakiegokolwiek części, jest ona uszkodzona lub pęknięta. W razie potrzeby skontaktuj się z "Didis" Ltd. w sprawie części zamiennych i instrukcji. **NIE** zamieniać części!
- 22.** Używanie produktu jest dozwolone tylko w przypadku łóżek i / lub materaca o prostych bokach! Zastosowanie produktu z okrągłymi łóżkami i / lub materacem lub łóżkami wodnymi lub nadmuchiwanymi materacami itp. **NIE JEST DOZWOLONE!**
- 23.** Gdy produkt jest używany w funkcji „Przymocowanie do łóżka rodzica”, zawsze musi być zamontowany na długim boku dostępu do łóżka. **NIE NALEŻY** mocować produktu od strony głowy lub spodu łóżka!
- 24. WAŻNE DLA BEZPIECZEŃSTWA TWOJEGO DZIECKA!** Funkcja „Przymocowanie do łóżka rodzica” ma zastosowanie TYLKO z rodzajami łóżek, które spełniają wszystkie warunki opisane powyżej i w niniejszym akapicie! W szczególności podparcie boczne łóżeczka powinno być zawsze umieszczone blisko materaca rodzica, a materac powinien być zawsze wyrównany z wysokością podparcia bocznego, aby ograniczyć łóżeczko (Zdjęcie 27). Ponadto łóżeczko musi być mocno przymocowane do konstrukcji łóżka rodzica lub do wspornika materaca (podstawy lub ramy materaca).
- 25.** Łóżeczka połączone z łóżkiem rodziców nigdy nie powinny być używane w pozycji pochyłej. Przy tej funkcji obie nogi muszą być zawsze ustawione na tej samej wysokości!
- 26. UWAGA!** Podczas korzystania z funkcji produktu „Przymocowanie do łóżka rodzica”, aby zapobiec ryzyku uduszenia przy zakleszczeniu, łóżeczko podłączone do łóżka rodzica musi być odpowiednio przymocowane do łóżka rodzica za pomocą systemu mocującego.
- 27.** System mocujący jest załączony do łóżeczka. Nie używaj innego systemu mocowania.
- 28.** Nigdy nie powinno być odstępów między spodem łóżeczka połączonego z łóżkiem rodziców a materacem na łóżku rodziców.
- 29.** Zawsze sprawdzaj system mocowania przed każdym użyciem!
- 30.** Sprawdzić zacisk układu mocującego przed każdym użyciem, odciągając łóżeczko połączone z łóżkiem rodziców na bok od łóżka rodziców.
- 31.** Jeśli między łóżeczkiem połączonym z łóżkiem rodzica a łóżkiem rodzica jest jakaś przerwa, **NIE** używaj produktu.
- 32.** Luki nie powinny być wypełnione poduszkami, kocami ani innymi przedmiotami. Może to spowodować ryzyko uduszenia.
- 33.** Podczas użytkowania upewnij się, że prześcieradła, koce dla rodziców nie wchodzą i nie zakrywają wnętrza łóżeczka.
- 34.** Produkt powinien być stosowany tylko wtedy, gdy jest mocno przymocowany do łóżka dla dorosłych lub gdy ruchoma strona jest zablokowana w najwyższym położeniu, aby uniknąć ryzyka upadku dziecka.
- 35. NIEBEZPIECZEŃSTWO! -** Gdy łóżeczko połączone z łóżkiem rodziców, nie jest przymocowane do łóżka rodziców, wszystkie jego strony muszą znajdować się na swoim miejscu i / lub w najwyższej pozycji. Zawsze całkowicie podnoś ruchomą stronę, gdy łóżeczko nie jest przymocowane do łóżka rodziców.
- 36. UWAGA -** Aby uniknąć niebezpieczeństwa złapania szyi dziecka za górną poręczą boku, który jest do łóżka rodziców, górna poręcz nie może być wyższa niż materac na łóżku rodziców (Zdjęcie 28).
- 37. UWAGA -** Aby uniknąć ryzyka uduszenia dziecka, system mocowania do łóżka rodziców należy zawsze trzymać z dala od łóżeczka i na zewnątrz od niego.
- 38.** Materac łóżka rodziców musi być wyrównany do lub powyżej wysokości ruchomego boku w najniższym położeniu.
- 39.** Materac łóżka rodziców powinien być zawsze wyższy niż bok łóżeczka. Jeżeli nie jest, to użyj systemu regulacji, aby upewnić się, że wysokość jest poprawna po obu stronach.
- 40.** Przed każdym użyciem zawsze sprawdź, czy między materacem łóżka rodzica a ścianą łóżeczka nie ma miejsca. Pociągnij i dokręć system mocujący, aż przywrócony zostanie dopuszczalny stan.
- 41.** Używaj łóżeczka z opuszczonym bokiem tylko w funkcji „Przymocowanie do łóżka rodziców”.
- 42. UWAGA!** Trzymać z dala od ognia!
- 43.** Specyfikacje, kolory i zawartość mogą różnić się od pokazanych na zdjęciach!

KONSERWACJA

OSTRZEŻENIE! Jeśli używasz kojca na zewnątrz, przetrzyj nóżki i pozostałe części z kurzu, ponieważ może on przyczynić się do uszkodzenia mechanizmów. W niektórych warunkach klimatycznych, części mogą być dotknięte pleśnią. Aby temu zapobiec, nie składaj ani nie przechowuj produktu, jeśli jest wilgotny lub mokry. Zawsze przechowuj produkt w dobrze wentylowanym miejscu. Zawsze regularnie sprawdzaj części pod kątem poluzowanych śrub, nakrętek i innych elementów łączących i dokręć w razie potrzeby.

Czyszczenie. Jeśli jest taka potrzeba używaj ciepłej wody z dodatkiem delikatnego mydła. Torbę należy myć ręcznie w ciepłej wodzie. Nie używaj detergentów. Nie prasuj. Do prania tkanin należy postępować zgodnie z instrukcjami na etykiecie. Do czyszczenia nie należy używać rozpuszczalników, materiałów ściernych ani żrących produktów.

OSTRZEŻENIE! Nie zostawiaj w kojcu żadnych przedmiotów, takich jak zabawki, które mogą stanowić oparcie na stopy umożliwiające dziecku wydostanie się z kojca.

Nie wystawiaj kojca na bezpośrednie działanie promieni słonecznych i innych źródeł ciepła, które mogą **OSTRZEŻENIE!** Do prawidłowej eksploatacji i przechowywania kojca, należy uważnie przeczytać wskazówki i przestrzegać niniejszą instrukcję.

Zastosowane materiały: tworzywo sztuczne, tekstylia, metal, MDF.

CZĘŚCI

Zdjęcie A

1. Materac	- 1 szt.	6. Strona ruchoma	- 1 szt.
2. Rama górna	- 1 szt.	7. Główny profil nośny	- 1 szt.
3. Przycisk regulacji wysokości	- 2 szt.	8. Tapicerka	- 1 szt.
4. Główna rama aluminiowa	- 1 szt.	9. Koła	- 4 szt.
5. Dolne poprzeczne i podłużne rury nośne	- 4 szt.	10. Kosz na akcesoria (bagażnik)	- 1 szt.
		11. Moskitiera	- 1 szt.
		12. Pas bezpieczeństwa	- 1 szt.
		13. Torba transportowa	- 1 szt.

MONTAŻ ŁÓŻECZKA DZIECIĘCEGO

1. Wyjmij łóżeczko z torby.

2. Rozłóż ramę łóżeczka jak podniesiecie i obróćcie nogi na zewnątrz tak, aby przy nogach w pozycji pionowej znaczniki poziomu znajdowały się na zewnątrz (Zdjęcie 2).

3. W otwory osłony kosza na akcesoria włożyć rurki podłużne i poprzeczne (Zdjęcie 3) Uwaga! Ustawić kołki rur tak, aby wskazywały wyznaczone otwory montażowe. Zamontuj dolne rury podłużne i poprzeczne bagażnika, aż trzpień wyjdzie przez plastikowe otwory w nogach (Zdjęcie 4,5,6).

4. Zdejmij plastikowe osłony po obu stronach głównego profilu nośnego przymocowanego do tapicerki (Zdjęcie 7). Zamontuj tapicerkę na górnych rurkach łóżeczka, a następnie zapnij zamkiem. Zamontuj główny profil nośny do bocznych otworów obu nóg i upewnij się, że sworzeń jest prawidłowo zamontowany i stabilnie przymocowany do nogi (Zdjęcie 8,9). Uwaga! Aby zdjąć profil nośny, należy nacisnąć przyciski znajdujące się na spodniej stronie nóg.

5. Przełóż wolną rurkę wchodzącą w skład ramy górnej przez otwór na opadającej stronie tapicerki (jeżeli jest ona monitorowana, wcisnij poniższe przyciski i opuść ją). Postaw wolne końce rurki do ramy łóżeczka, tak aby przyciski zwalnijacymi były skierowane w dół (Zdjęcie 10), następnie zapnij zamki przegrody po obu stronach siatki (Zdjęcie 11,12).

6. Aby usunąć ruchomą stronę, wykonaj następującą sekwencję:

- rozpiąć zamki błyskawiczne po obu stronach (Zdjęcie 11).

- wcisnij przyciski znajdujące się na dole rury, aby ją zwolnić (Zdjęcie 13,14) i zaczeć ją do pasów bocznych (Zdjęcie 15,16).

7. Podnieś nogi łóżeczka i włóż osie kółek w otwory, aż usłyszysz „kliknięcie” (Zdjęcie 17,18). Aby zdjąć koło należy wcisnąć przycisk znajdujący się po wewnętrznej stronie nóżki do wewnątrz i pociągnąć koło w dół (Zdjęcie 19). Aby włączyć hamulec koła, należy przesunąć dźwignię w dół (Zdjęcie 20), aby zwolnić hamulec przesunąć w górę (Zdjęcie 21).

8. Zamontuj moskitierę na górnej ramie kosza (Zdjęcie 22).

EKSPLOATACJA

1. Regulacja wysokości. Wysokość można regulować w 7 pozycjach za pomocą dwóch przycisków umieszczonych z boku ramy (Zdjęcie 23). Dostosuj do żadanego stopnia, a następnie dokręć śruby blokujące przycisków śrubokrętem (brak w zestawie), aby zapewnić maksymalną stabilność (Zdjęcie 24).

2. Funkcja antyrefluksowa (zapobiegająca zadławieniu dziecka) - łóżeczko można odchylić maksymalnie o 2 pozycje wysokości pomiędzy nogami po obu stronach (Zdjęcie 25). **UWAGA!** Głowa dziecka powinna być zawsze skierowana ku wyższej stronie! **UWAGA!** Z funkcji antyrefluksowej można korzystać wyłącznie w przypadku używania łóżeczka jako łóżeczka samodzielnego. Z tej funkcji **NIE** można korzystać, gdy łóżeczko jest przymocowane do łóżka dla dorosłych!

3. Mocowanie łóżeczka do łóżka dla dorosłych w następującej kolejności:

- usuń ruchomą stronę;

- obejmij materac łóżka dla dorosłych pasem bezpieczeństwa;

- przymocuj oba końce pasa do spodu łóżeczka (1) (Zdjęcie 26), następnie przymocuj haczyk do boku łóżeczka (2) (Zdjęcie 26). Pociągnij pas, aby wyregulować jego długość (3) (Zdjęcie 26).

UWAGA! Ze względu na ryzyko upadku, pomiędzy spodem produktu a materacem łóżka dla dorosłych **NIE** powinno być żadnej szczeliny!!! (Zdjęcie 27)

UWAGA! Ze względu na ryzyko uduszenia wysokość łóżeczka należy regulować tak, aby krawędź materaca łóżka dla dorosłych znajdowała się nad krawędzią ruchomej strony. Nie korzystaj z łóżeczka, jeśli wysokość łóżka rodzica jest mniejsza niż 50 cm lub większa niż 80 cm nad podłogą (Zdjęcie 28).

DEMONTAŻ ŁÓŻECZKA

1. Odłącz pasy przymocowane do łóżka dla dorosłych.

2. Zdejmij kółka łóżeczka (Zdjęcie 19).

3. Zdejmij moskitierę i materac z łóżka dziecka.

4. Wyjmij ruchomą stronę i wyjmij wolną rurkę (Zdjęcie 14).

5. Rozpiąć zamek błyskawiczny na całej długości łóżeczka znajdujący się na górnej ramie.

6. Zdemontuj główny profil nośny.

7. Zdejmij tapicerkę z górnej ramy łóżeczka.

8. Zdemontować rury podłużne i poprzeczne bagażnika.

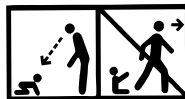
9. Złóż obie nogi, aby złożyć łóżeczko.

10. Umieść w torbie.

ВАЖНО ПРОЧИТАЈТЕ ВНИМАТЕЛНО И ЗАЧУВАЈТЕ ЗА СЛЕДНА УПОТРЕБА!

МК

ВНИМАНИЕ



- 1. ВНИМАНИЕ! НИКОГАШ НЕ ОСТАВЕТЕ ДЕТСОТО ДЕТЕТО БЕЗ НАДЗОР!**
- 2. ВНИМАНИЕ!** Не користете го овој производ без претходно да ги прочитате упатствата за употреба!
- 3. ВНИМАНИЕ!** Престанете да го користите креветчето штом детето може да седне без помош, да стане самостојно или да се крене на раце и колена!
- 4. ВНИМАНИЕ!** Поставувањето дополнителни артикли во производот може да предизвика задушување.
- 5. ВНИМАНИЕ! НЕ ПОДНЕСУВААТ ДОПОЛНИТЕЛНИ ЦЕЛИ (на пр. ЗЕМЈИ, ПРИГОВОРИ, ДВЕ).**
- 6. ВНИМАНИЕ!** Не ставајте го производот близу друг производ што може да претставува ризик од задушување или задушување, на пр. врски, жици за ролетни / завеси, итн.
- 7. ВНИМАНИЕ!** Не користете повеќе од еден душек во производот.
- 8. ВНИМАНИЕ!** Бидете свесни за опасноста од отворен пламен и други извори на интензивна топлина, како што се електрични печки со реотани, гасни печки итн., во непосредна близина на креветчето (кревет или лулашка).

БАРАЊЕ ЗА БЕЗБЕДНОСТ

1. Пред да го употребите производот за прв пат, отстранете ги сите промотивни материјали од него, како и материјалите за нивно прикачување на производот! Секоја пластична амбалажа мора да се отстрани, уништи или да се чува подалеку од деца за да се избегне ризикот од задушување.
2. Производот мора да биде поставен на рамно ниво!
3. Не дозволувајте малите деца да играат без надзор во близина на производот!
4. Детското креветче мора да биде заклучено во фиксна положба кога детето е без надзор во него!
5. Сите сврзувачки елементи секогаш мора да бидат цврсто затегнати и треба да се внимава да не се појават лабави завртки или додатоци на кои детето може да закачи делови од своето тело или облека (на пр. Врски, панделки, ланци за лакирање), што може да предизвика ризик од задушување!
Изведете рутински инспекции за да бидете сигурни дека нема слободни, оштетени или исчезнати делови.
6. Максималната дебелина на душекот е 3 см. Информациите за максималната дебелина на душекот се наведени на ознаката на производот, како и на самиот душек.
7. Максималната внатрешна големина на креветчето за која е наменет душекот е 84/51 см.
8. Не го користете креветчето ако висината на родителскиот кревет е помала од 50 см или повеќе од 80 см над подот.
9. Не користете душек за креветчиња, освен оној што е доставен со производот и одобрен од производителот.
10. Ако користите душек различен од оној што е обезбеден од производителот, проверете дали е вистинската дебелина и погоден за производот. Дебелината на душекот мора да биде таква што внатрешната висина (од горната површина на душекот до горниот раб на страните на креветчето) е најмалку 200 мм.
11. Ако користите душек различен од оној што го дава производителот, должината и ширината мора да бидат такви што максималното растојание помеѓу душекот и страните и рабовите на креветчето не надминува 30 мм.
12. Можно е малку да се наклони основата на креветчето со прилагодување на двете нозе на различни висини (Слика 25). Наклонувањето на креветчето е дозволено со максимална разлика во висината помеѓу двете нозе од 2 позиции!
13. **ВНИМАНИЕ! НЕ** користете ја креветчето ако дел од недостасува или е оштетен или скршен. Доколку е потребно, контактирајте го Дидис за резервни делови и инструкции. НЕ заменувајте делови!
14. Производот е подготвен за употреба само кога активираниите механизми за заклучување се активираат. Бидете сигурни дека тие се добро фиксирани пред употреба!

15. Кога детето е без надзор во производот во конфигурацијата "креветчето", проверете дали паѓачката страница е секогаш подигната и патентите се целосно прицврстени!
16. Не користете ја креветчето без рамка! 17. Собранието, одвивањето и преклопувањето на производот треба да го изврши САМО од возрастено лице!
18. Не користете го производот повеќе од едно дете истовремено.
19. Чувајте го производот подалеку од дофатот на деца кога не го користите.
20. Осигурете се дека нозете на креветчето се целосно продолжени кога се користат како самостојна креветчето.
21. НЕ користете ја креветчето поврзано со креветот на родителите ако дел од нив недостасува или е оштетен или скршен. Доколку е потребно, контактирајте го Дидис за резервни делови и инструкции. НЕ заменувајте делови!
22. Употребата на производот е дозволена само со кревети и / или душек со права страна! Употреба на производот со кружни кревети и / или душеци или водени кревети или душеци за надувување, итн. **НЕ Е ДОЗВОЛЕНО!**
23. Кога производот се користи во функцијата "Поправи на родителскиот кревет", тој секогаш мора да се монтира на долгата страна на пристапот до креветот. НЕ фиксирајте го производот на главата или на дното на креветот!
24. **ВАЖНО ЗА БЕЗБЕДНОСТ НА ВАШАТА ДЕЦА!** Функцијата „Поправи на родителскиот кревет“ се применува САМО со видот на креветите што ги исполнуваат сите услови опишани погоре и во овој став! Особено, страничната потпора на креветчето секогаш треба да биде поставена близу до душекот на родителот, а душекот секогаш треба да биде усогласен со висината на страничната потпора за да се ограничи креветчето (Слика 27). Покрај тоа, креветчето мора да биде цврсто прикачено на структурата на креветот на родителот или на подлогата за душекот (подлога или рамка за душек).
25. Детските креветчиња поврзани со креветот на родителите никогаш не треба да се користат во наклонета положба. Со оваа функција, двете нозе секогаш мора да се прилагодуваат на иста висина!
26. **ВНИМАНИЕ!** Кога ја користите функцијата на производот „Фикс на креветот на родителот“, за да спречите ризикот од задушување да се заглави, креветчето поврзано со креветот на родителите мора правилно да се прицврсти на креветот на родители со помош на системот за врзување.
27. Системот за прицврстување е обезбеден со креветчето. Не користете друг систем за прицврстување.
28. Никогаш не треба да има јаз помеѓу долната страна на креветчето поврзано со креветот на родителите и душекот на креветот на родителите.
29. Секогаш проверувајте го системот за прицврстување пред секоја употреба!
30. Проверете го прицврстувањето на системот за прицврстување пред секоја употреба со повлекување на креветчето поврзано со креветот на родителите подалеку од креветот на родителите.
31. Ако има јаз помеѓу креветчето поврзано со креветот на родителите и креветот на родителите, НЕ користете го производот.
32. Празнините не треба да се полнат со перници, кебиња или други предмети. Ова може да предизвика ризик од задушување.
33. За време на употребата, проверете дали чаршафите, кебите за родители не влегуваат и не ја покриваат внатрешноста на креветчето.
34. **Производот треба да се користи само кога е цврсто прицврстен за кревет за возрастни или кога подвижната страна е заклучена во нејзината највисока позиција за да се избегне ризикот од паѓање на детето.**
35. **ОПАСНОСТ!** - Кога креветчето поврзано со креветот на родителите не е прикачено на креветот на родителите, сите негови страни мора да бидат поставени на нивно место и / или во нивната највисока позиција. Секогаш целосно подигнете ја подвижната страна кога креветчето не е прикачено на креветот на родителите.
36. **ВНИМАНИЕ** - За да се избегне опасност да се држи вратот на десната страна од горната железница од страната до креветот на родителите, горната железница не треба да биде повисока од душекот на креветот на родителите (Слика 28).
37. **ВНИМАНИЕ** - За да се избегне ризикот од задушување на вашето дете, системот на приврзување во креветот на родители секогаш треба да се чува подалеку од креветчето и надвор од него.
38. Душекот на креветот на родителите мора да биде усогласен или над висината на подвижната страна во најниска позиција.
39. Душекот на креветот на родителите секогаш треба да биде повисок од страната на креветот. Ако не, користете го системот за прилагодување за да бидете сигурни дека висината е точна од двете страни.
40. Пред секоја употреба, секогаш проверете дали нема простор помеѓу душекот на креветот на родителите и страницата на креветчето. Повлечете го и затегнете го системот за прицврстување сè додека не се врати дозволената состојба.
41. Користете го креветчето со спуштената страна само во функцијата "Поправи на родителскиот кревет".
42. **ВНИМАНИЕ!** Чувајте се подалеку од оган!
43. Спецификациите, боите и содржината може да се разликуваат од оние прикажани на фотографиите!

ЧИСТЕЊЕ И ОДРЖУВАЊЕ

ВНИМАНИЕ! Ако ја користите оградата надвор, исчистете ја прашината што се има залепено на ногарките како и на останатите елементи, бидејќи ако влезе во механизмот на бравите, прашината може да причини сериозни оштетувања. Во некои климатски услови, делови може да бидат погодени од мувла и плесен. За да го спречите ова, не го превиткувајте или чувајте го производот ако е влажен или влажен. Секогаш чувајте го производот на добро проветрено место. Редовно проверувајте ги деловите за лабави завртки, навртки и други сврзувачки елементи и ако е потребно, затегнете ги.

Чистење. Ако е неопходно користете мек сапун и топла вода. Перењето на чантата можете да го извршите рачно во топла вода без да ја пеглате. Не користете белило. За перење ткаенини, внимателно следете ги упатствата на етикетата. Не користете растворувачи, абразиви или корозивни производи за чистење.

ВНИМАНИЕ! Не поставувајте обемни предмети во оградата што можат да му помогнат на детето да премине надвор од мрежите на оградата. Не ја поставувајте оградата до уреди за греење бидејќи тие можат да ги оштетат пластичните и текстилните елементи.

ВНИМАНИЕ! Прочитајте го внимателно ова упатство и стриктно придржувајте се кон него со цел правилно користење и чување на Вашата ограда.

Користени материјали: Пластика, текстил, метал, MDF

ДЕЛОВИ

Слика 1

- | | |
|---|---------|
| 1. Душек | - 1 бр. |
| 2. Горна рамка | - 1 бр. |
| 3. Копче за подесување на висината | - 2 бр. |
| 4. Главна алуминиумска рамка | - 1 бр. |
| 5. Долни попречни и лонгитудинални потпорни цевки | - 4 бр. |

- | | |
|------------------------------------|---------|
| 6. Подвижна страница | - 1 бр. |
| 7. Главен профил за поддршка | - 1 бр. |
| 8. Тапацир | - 1 бр. |
| 9. Точкови | - 4 бр. |
| 10. Кошница за додатоци (багажник) | - 1 бр. |
| 11. Комарник | - 1 бр. |
| 12. Сигурносен појас | - 1 бр. |
| 13. Торба за носење | - 1 бр. |

МОНТИРАЊЕ НА КРЕВЕТЧЕТО

1. Извадете го креветчето од торбата.
2. Отворете рамката на креветчето по кревање и вртење на нозете нанадвор, така што кога нозете се исправени, маркерите за ниво се од надворешната страна (Слика 2).
3. Пропуштање на надолжни и попречни цевки во дупките на додатната кошница (Слика 3) Внимание! Насочете иглите на цевките така што тие се насочени кон дупките наменети за инсталација. Поставете долните надолжни и попречни цевки на трупот додека иглата не се покаже низ пластичните дупки на нозете (Слика 4,5,6).
4. Отстранете ги пластичните штитници од двете страни на главниот профил за поддршка прикачен на тапацирот (Слика 7). Поставете тапацирање на горните цевки на креветчето и потоа го зацврстете со патент. Монтирајте го главниот профил за поддршка на страничните отвори на двете нозе и се уверете дека иглата е правилно поставена и безбедно прицврстена на ногата (Слика 8,9).
5. Пропуштање на слободната цевка, која е дел од горната рамка, низ отворот на паѓачката страна на тапацирот (ако се следи, притиснете копчиња одоздола и ги отпуштите). Слободните краеве на цевката се ставени на рамката на креветчето така што копчињата за отклучување се насочени надолу (Слика 10), а потоа ги зацврстете патентите на преградата од двете страни на мрежата (Слика 11, 12).
6. За да ја отстраните подвижната страница, следете го следниот редослед:
 - Откопчајте патенти од двете страни (Слика 11).
 - притиснете копчиња на дното на цевката за да ја ослободите (Слика 13, 14) и ја закачете на страничните ремени (Слика 15, 16).
7. Подигнете ги нозете на креветчето и ги поставете оските на тркалата во дупките додека не се слушне "кликнување" (Слика 17, 18). За да го извадите тркалото, притиснете копче од внатрешната страна на ногата навнатре и го повлечете тркалото надолу (Слика 19). За да ја активирате кочицата на тркалото, притиснете рачката надолу (Слика 20) и ја отпуштите нагоре (Слика 21).
8. Монтирајте мрежа против комарци на горната рамка на кошницата (Слика 22).

ОПЕРАЦИЈА

1. Прилагодување на висината. Висината може да се прилагоди во 7 позиции преку двете копчиња кои се наоѓаат на страната на рамката (Слика 23). Прилагодете го саканиот степен, а потоа ги затегнете завртките на копчињата со шрафцигер (не е вклучен) за да обезбедите максимална стабилност (Слика 24).

2. Анти-рефлуксна функција (против задушување на детето) - креветчето може да се наклони со разлика од максимум 2 позиции во висина помеѓу нозете од двете страни (Слика 25). **ПРЕДУПРЕДУВАЊЕ!** Главата на детето секогаш мора да биде поставена на повисока страна! **ПРЕДУПРЕДУВАЊЕ!** Функцијата против рефлукс може да се користи само кога креветчето се користи како посебен кревет. Оваа функција НЕ може да се користи кога креветчето е фиксирано за креветот возрасни!

3. Фиксирање на креветчето за возрасен кревет во следниов редослед:

- отстранување на подвижната страница;

- покријте го душекот на креветот за возрасни со сигурносен појас;

- зацврстете двата краја на ременот на дното на креветчето (1) (Слика 26), а потоа ја зацврстете куката на страната на креветот (2) (Слика 26).

ВНИМАНИЕ! Поради ризикот од паѓање, НЕ треба да има празнина помеѓу долната страна на производот и душекот на креветот за возрасни!! (Слика 27)

ВНИМАНИЕ! Поради ризикот од задушување, прилагодете ја висината на креветчето така што работ на душекот на креветот за возрасни е над работ на подвижната страна на креветчето. Не го користете креветчето ако висината на родителскиот кревет е помала од 50 см или повеќе од 80 см над подот (Слика 28).

ДЕМОНТИРАЊЕ НА КРЕВЕТЧЕТО

1. Откопчајте ги ремените прикачени на креветот за возрасни.
2. Демонтирајте ги тркалата на креветчето (Слика 19).
3. Отстранете мрежата за комарци и душекот од креветот на детето.
4. Отстранете отстранливата страница и ја отстранете слободната цевка (Слика 14).
5. Откопчајте патент по должината на креветчето кое се наоѓа на горната рамка.
6. Демонтирање на главниот профил за поддршка.
7. Отстранете тапацирот од горната рамка на креветчето.
8. Демонтирање на надолжните и попречните цевки на стеблото.
9. Свиткајте двете нозе една кон друга за да го преклопите креветчето.
10. Ставете во торбата.

Didis Ltd.

Bulgaria, Shumen, 6 Trakia-iztok Street
Phone: +359 54 850 830
e-mails: home.market@didis-ltd.com;
export@didis-ltd.com

Дидис ООД

България, Шумен, "Тракия-изток" 6
Тел. +359 54 850 830
e-mails: home.market@didis-ltd.com;
export@didis-ltd.com